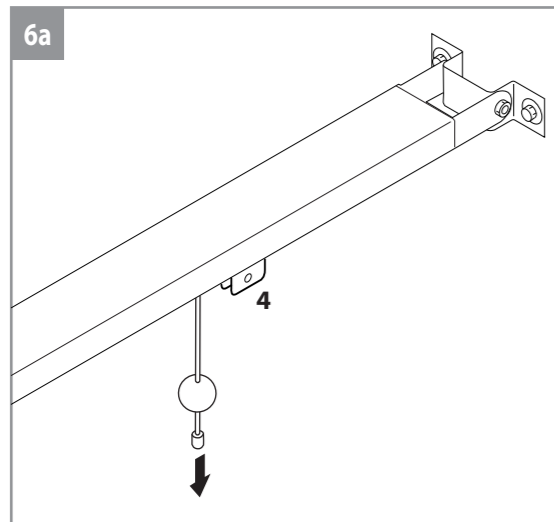
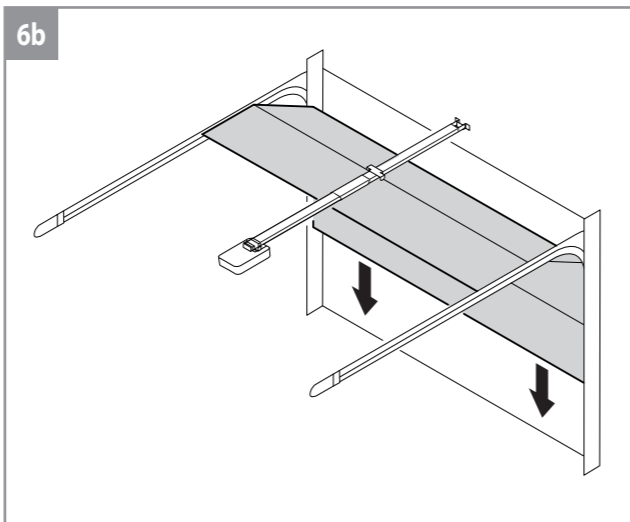


6

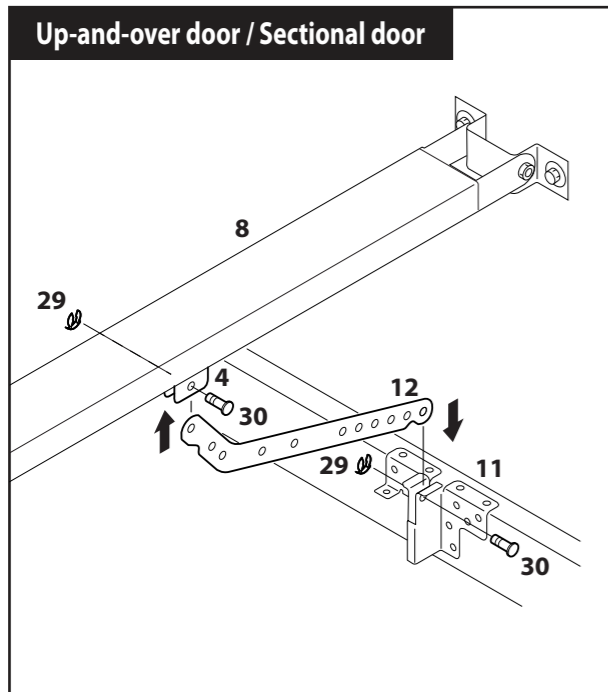
6a



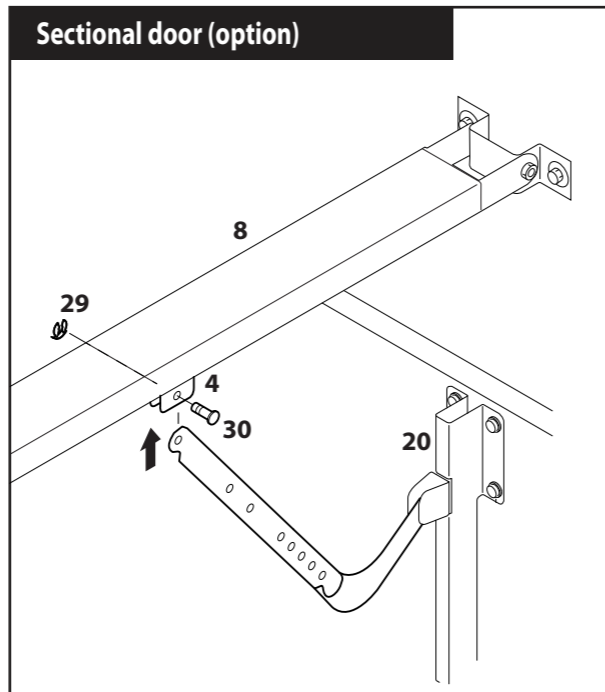
6b



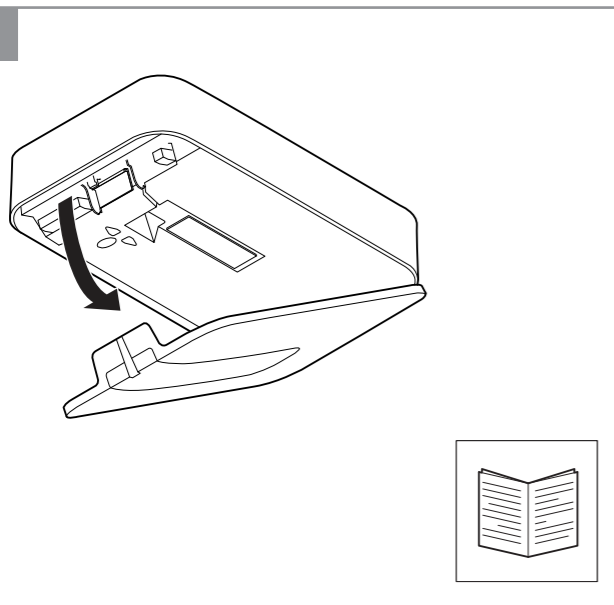
Up-and-over door / Sectional door



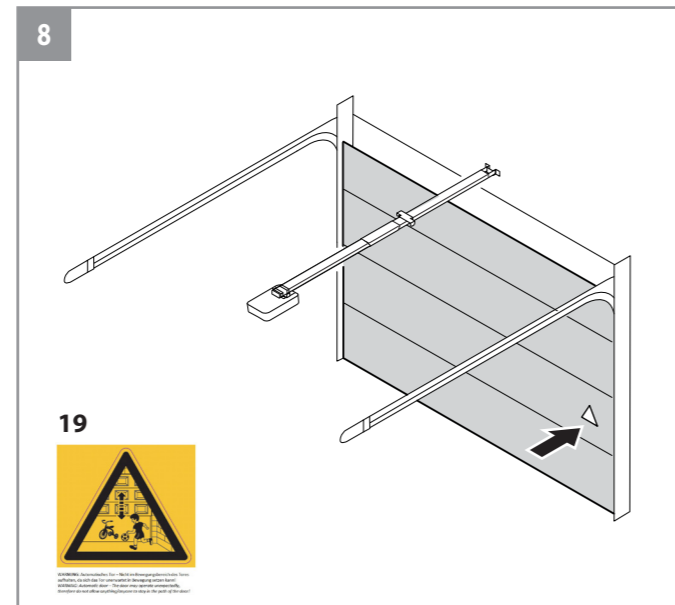
Sectional door (option)



7



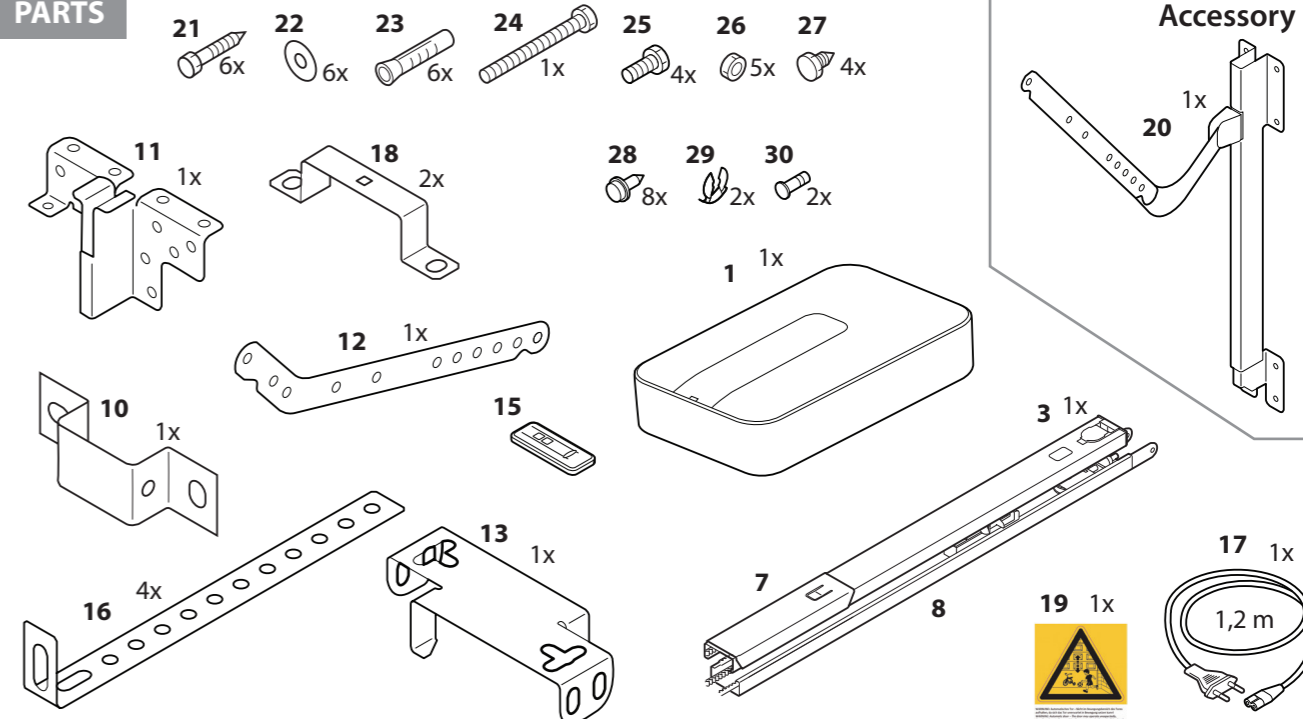
8



N-423 / N-563 S

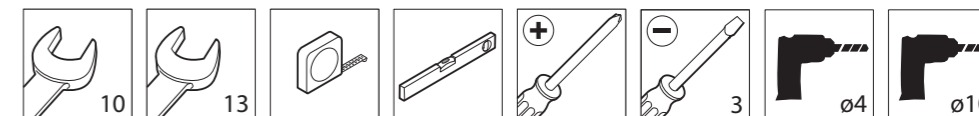
932001-03-6-50 10/2017

PARTS

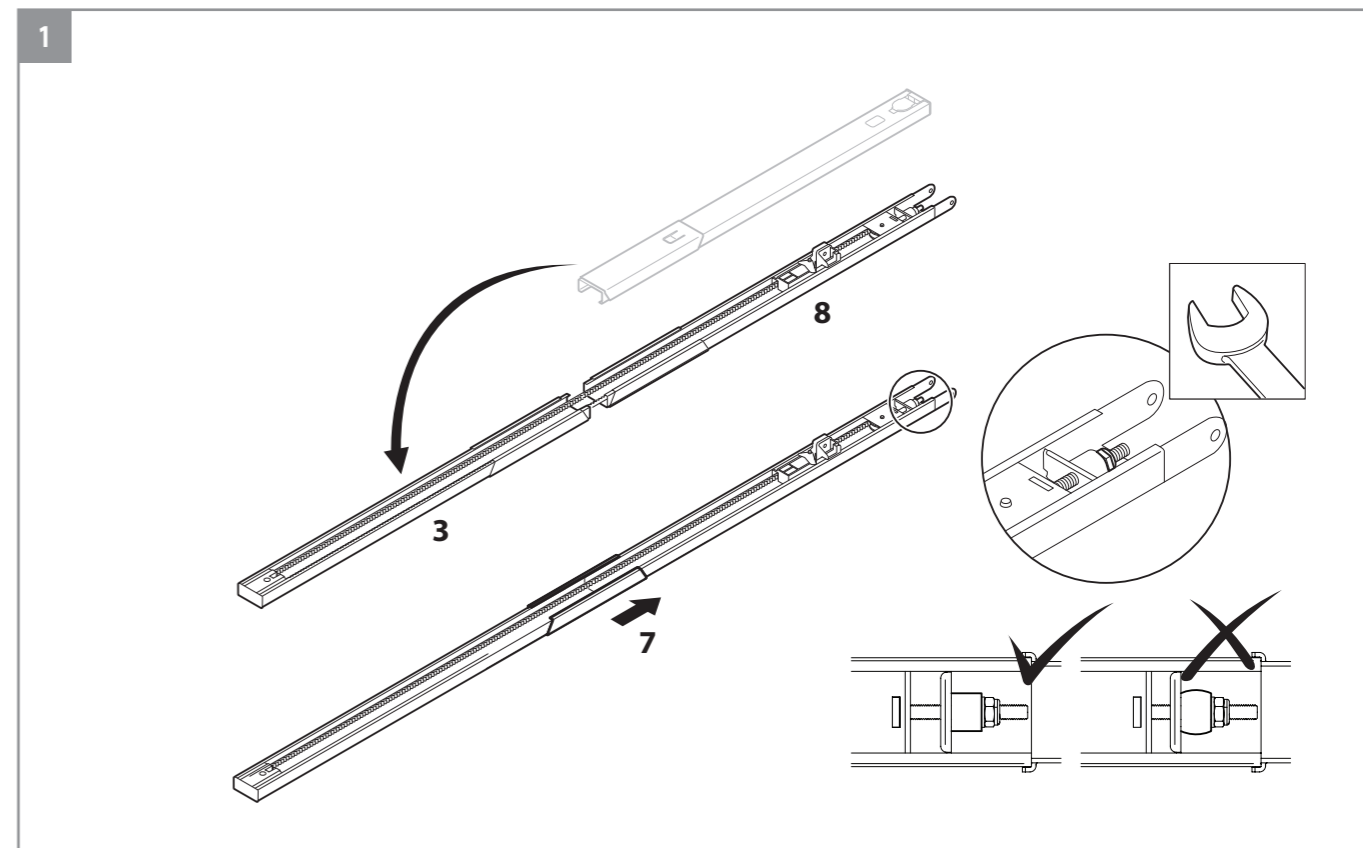


Accessory

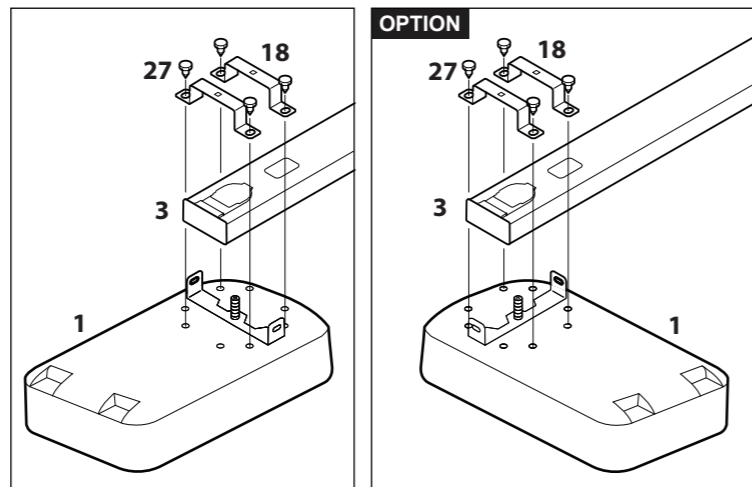
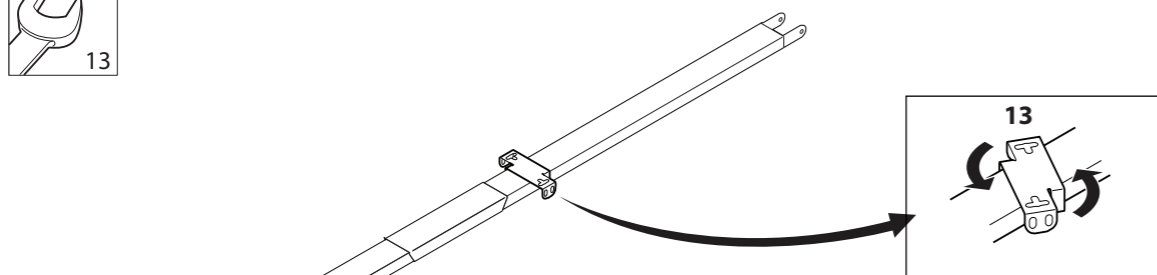
TOOLS



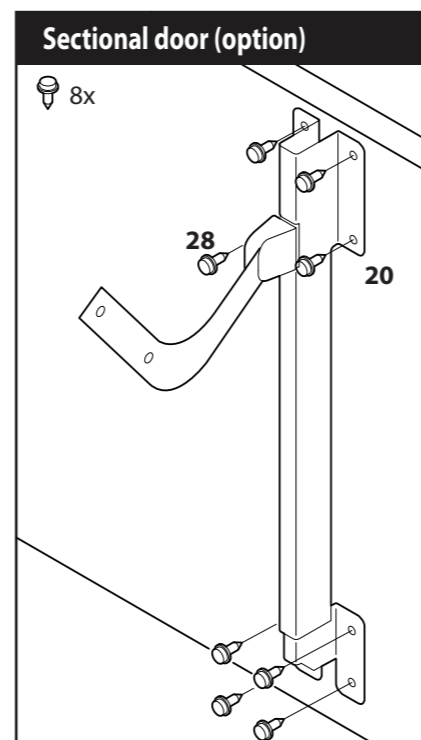
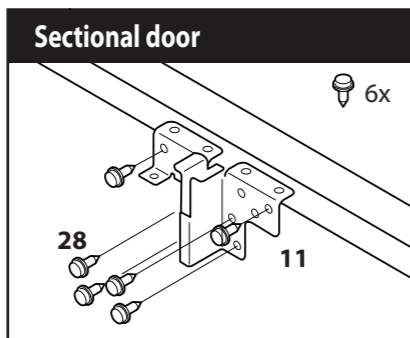
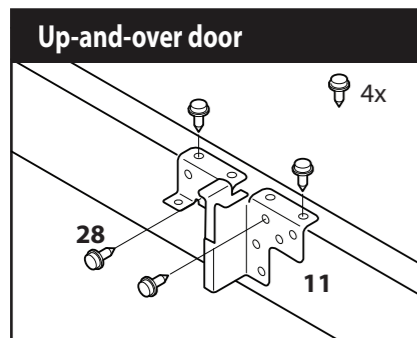
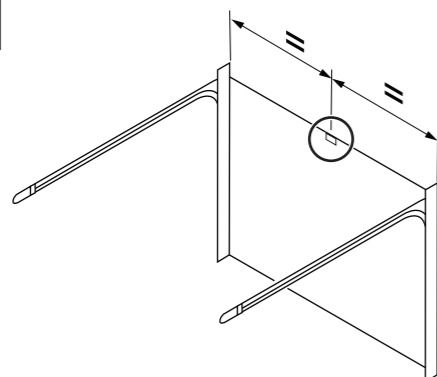
1



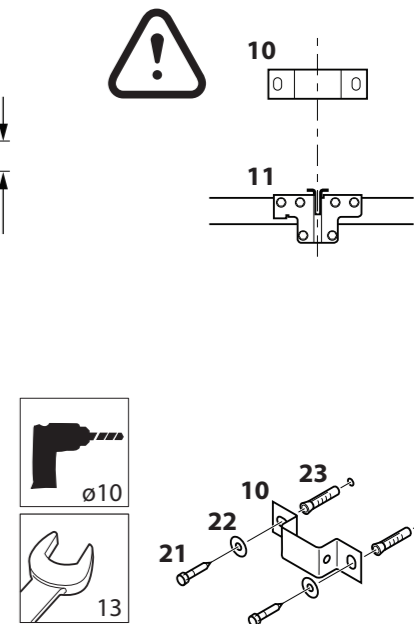
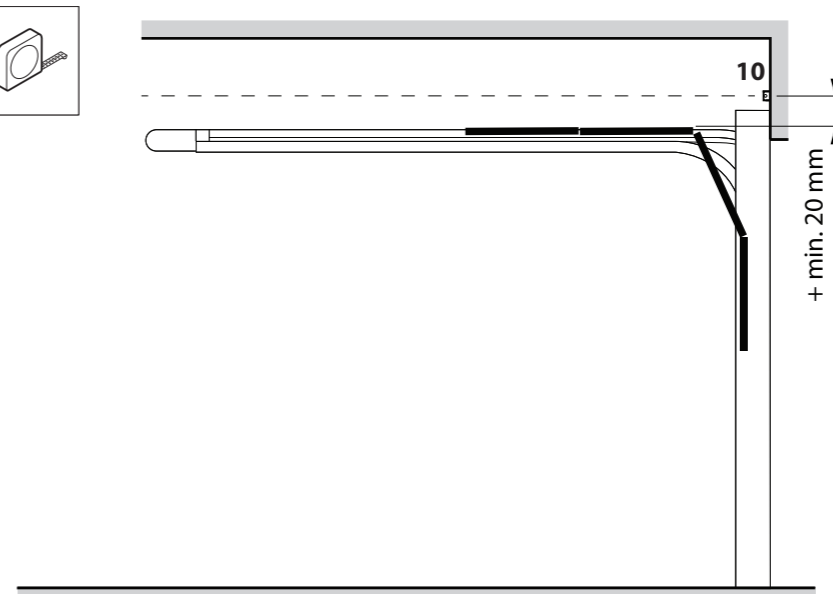
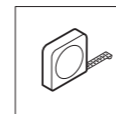
2



3



4



5

