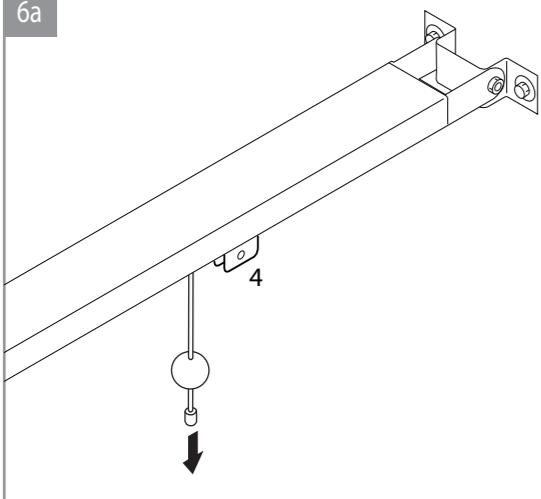
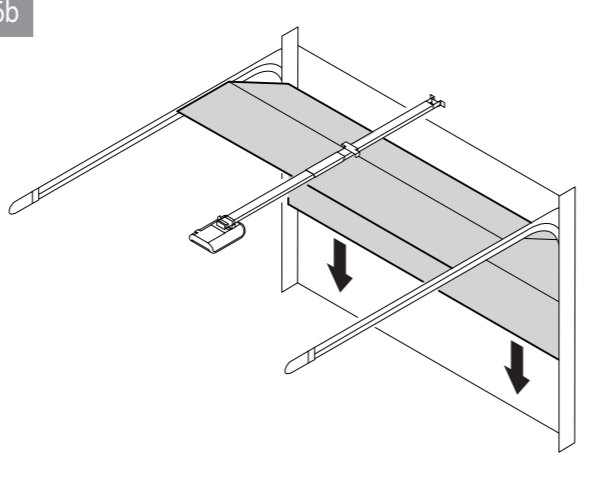


6

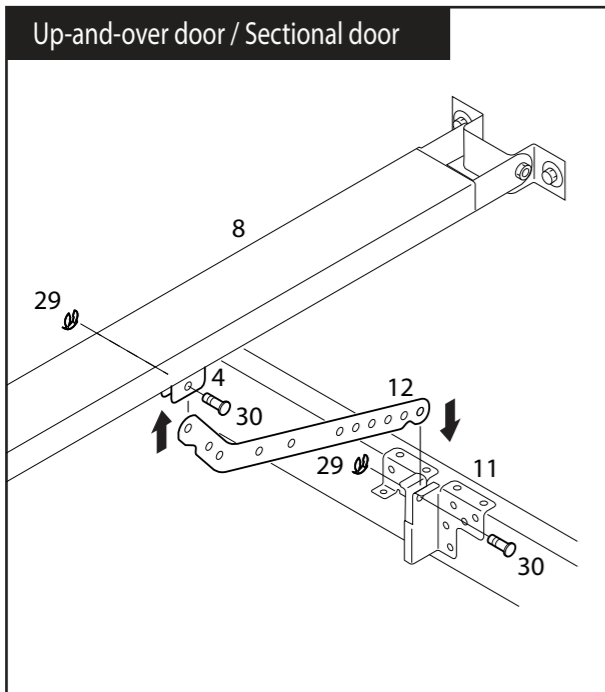
6a



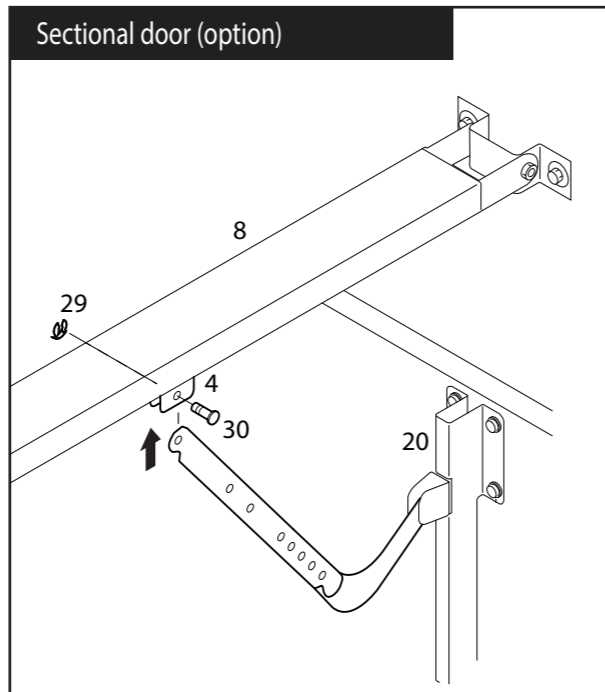
6b



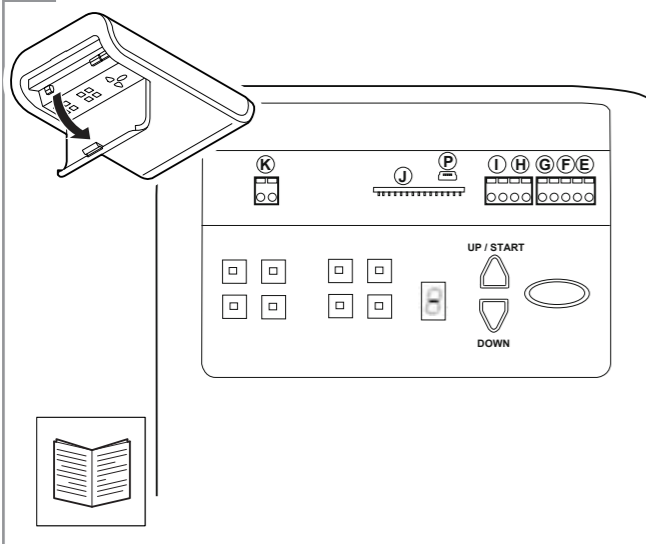
Up-and-over door / Sectional door



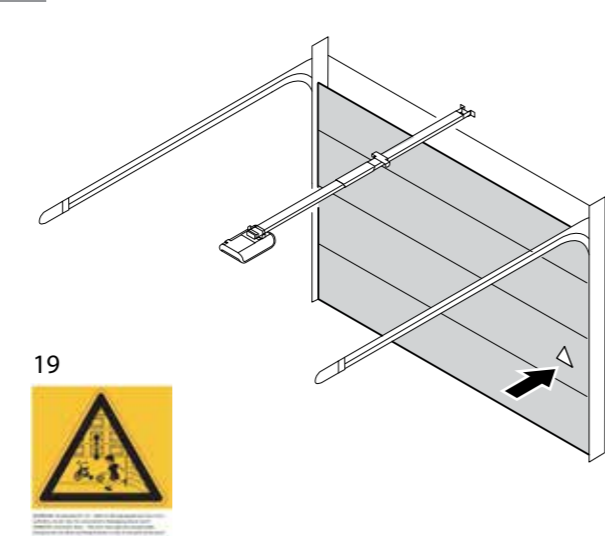
Sectional door (option)



7



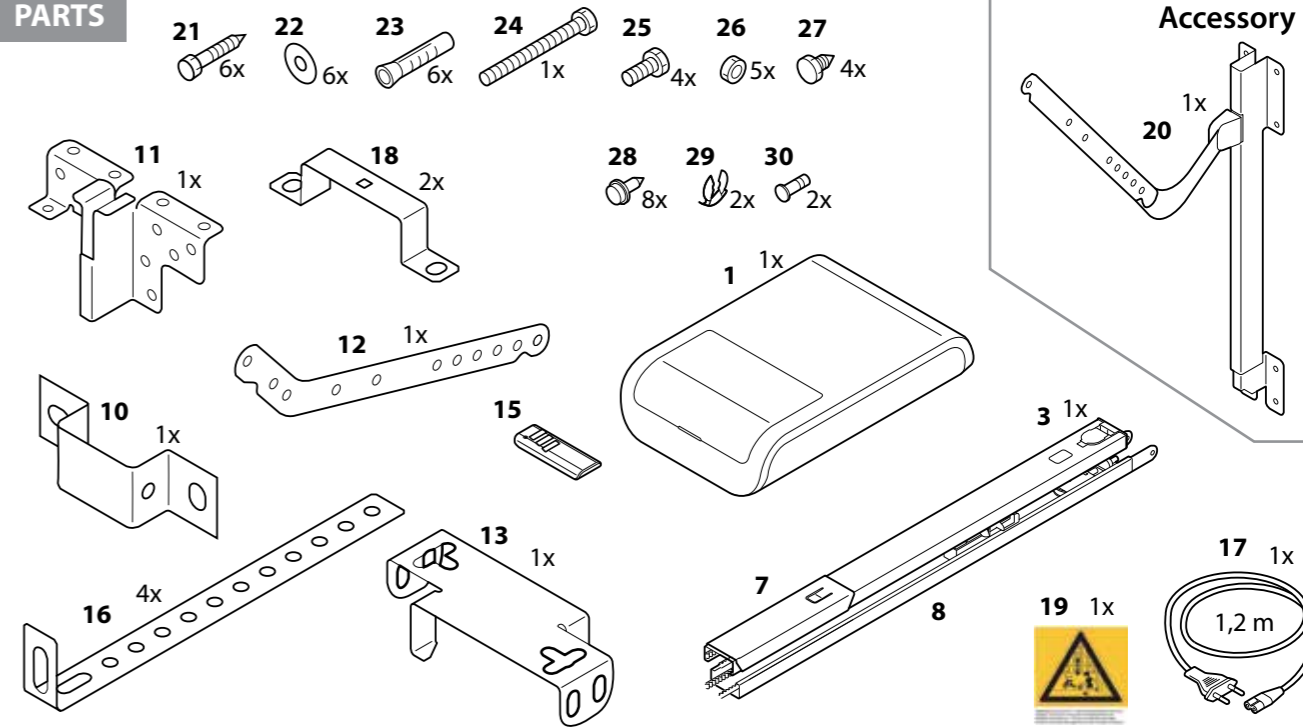
8



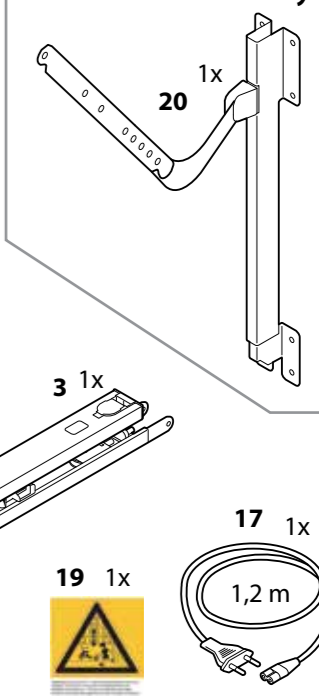
W-800

929002-03-6-50 06/2017

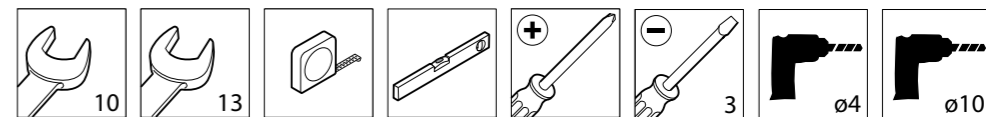
PARTS



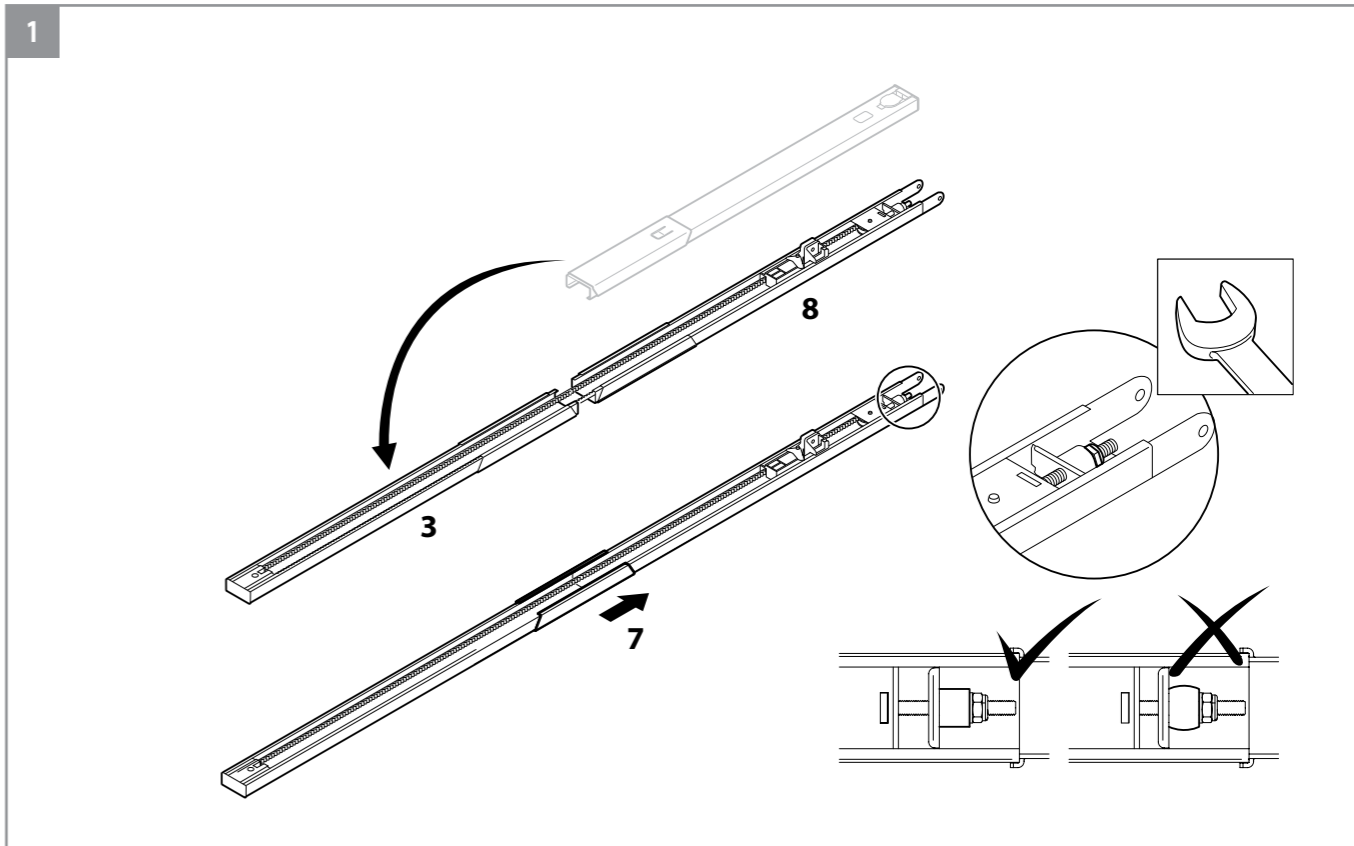
Accessory



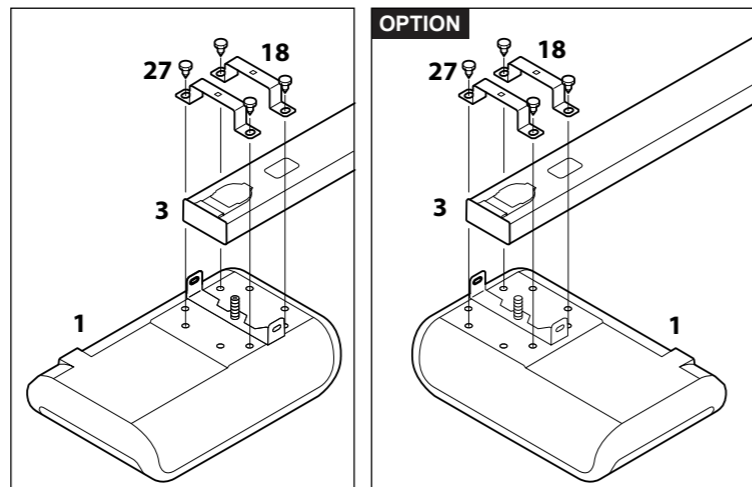
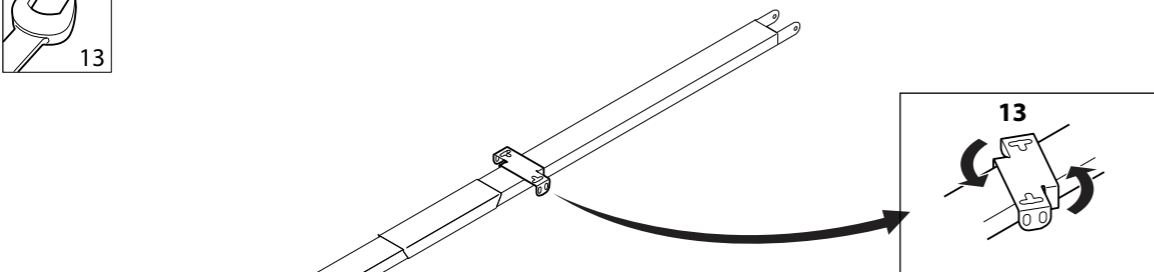
TOOLS



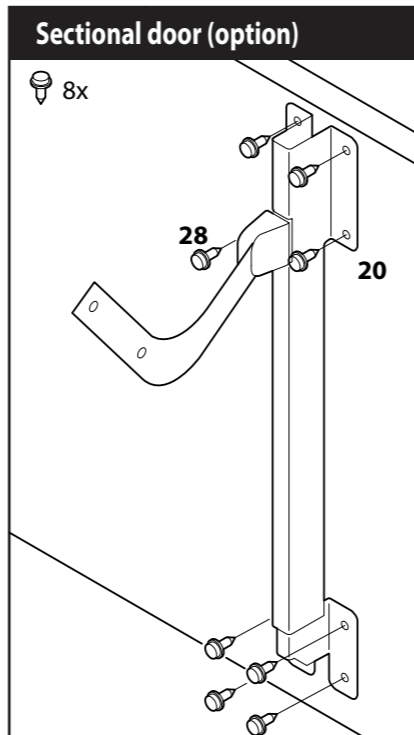
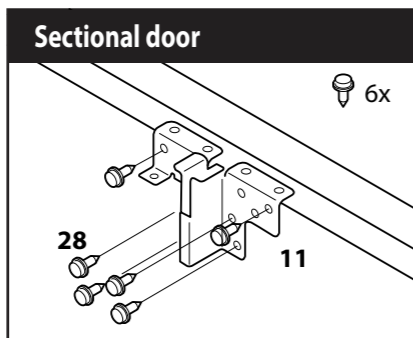
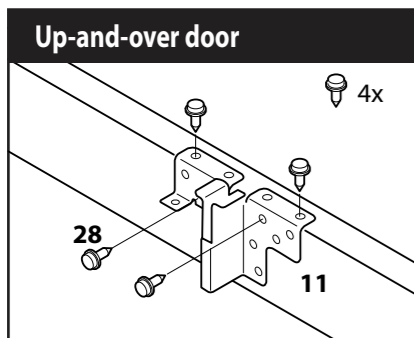
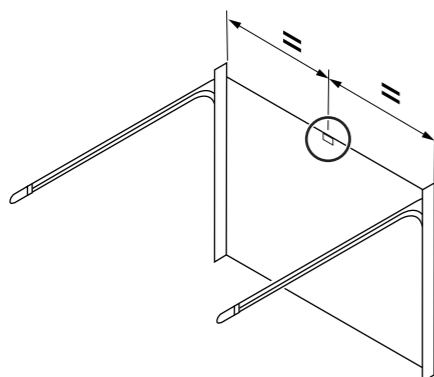
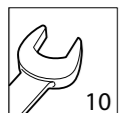
1



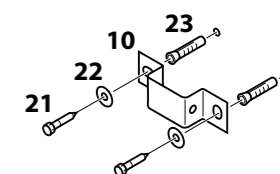
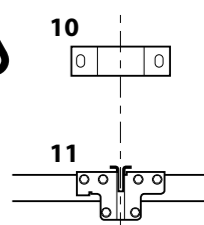
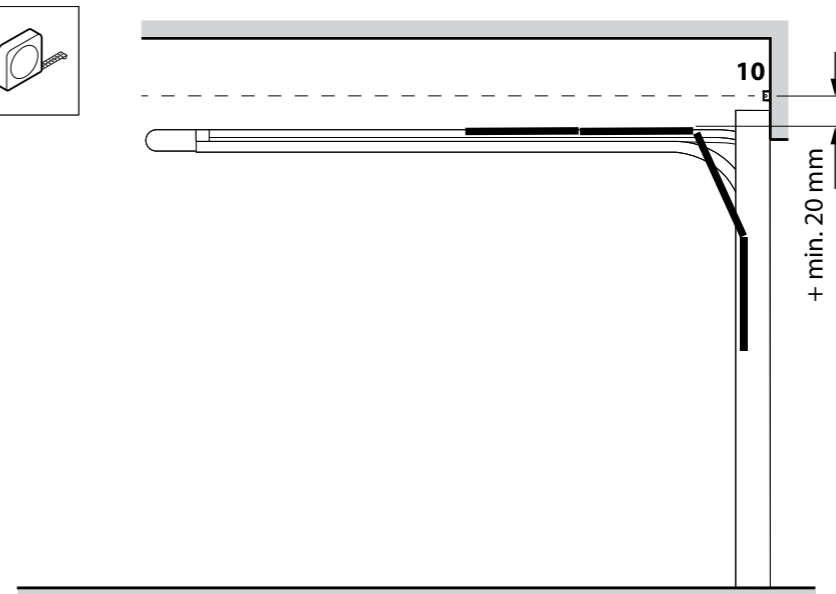
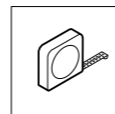
2



3



4



5

