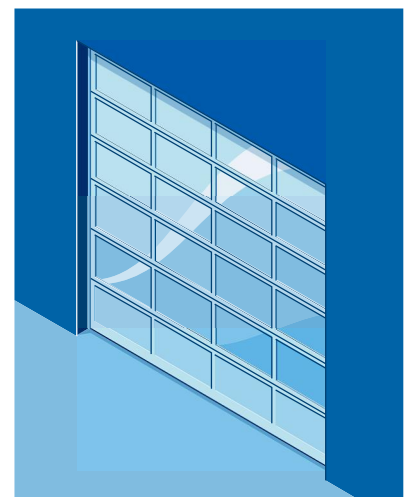
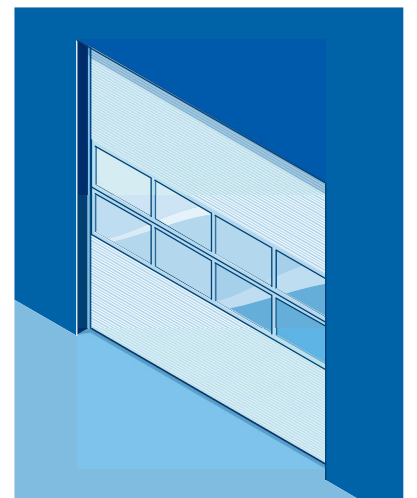
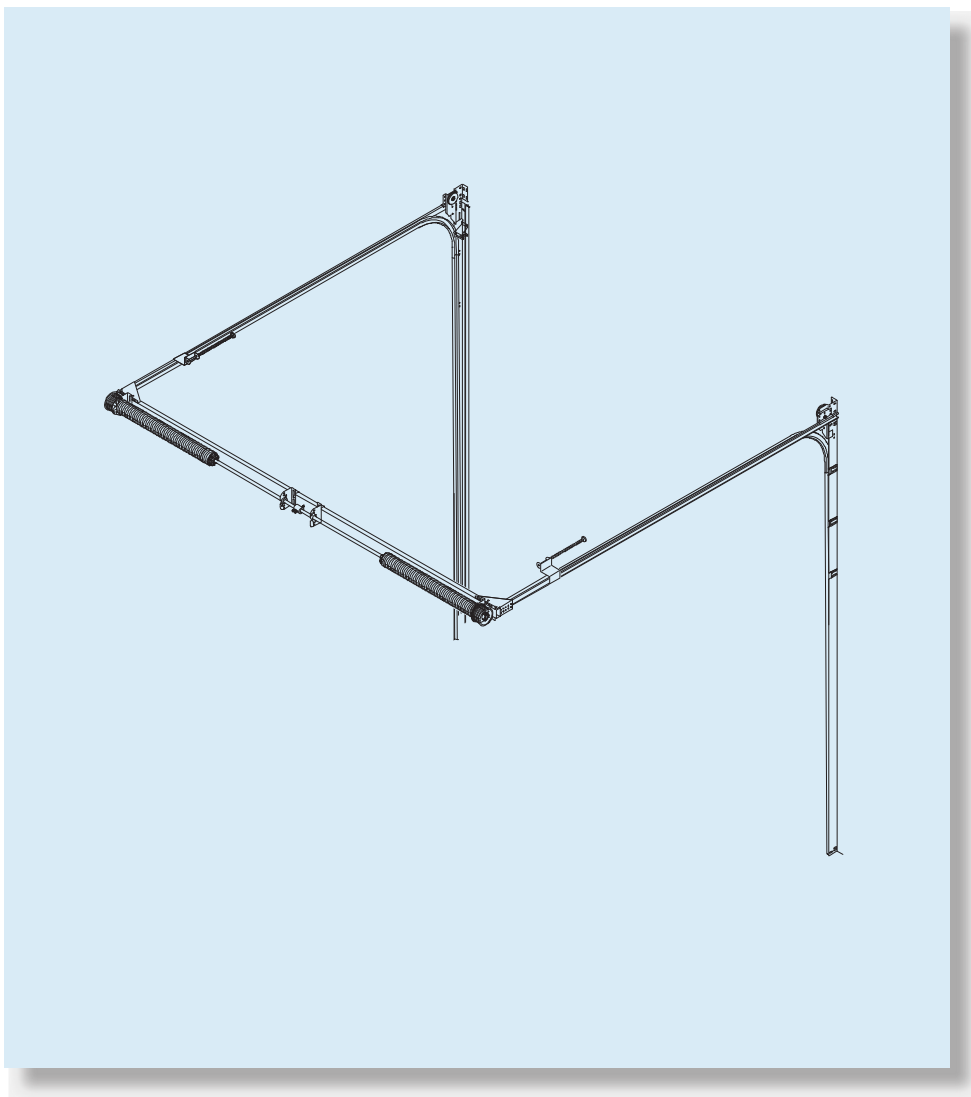
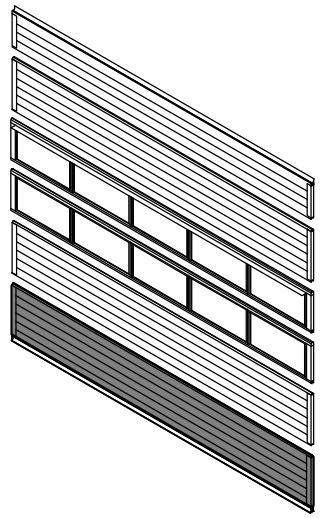


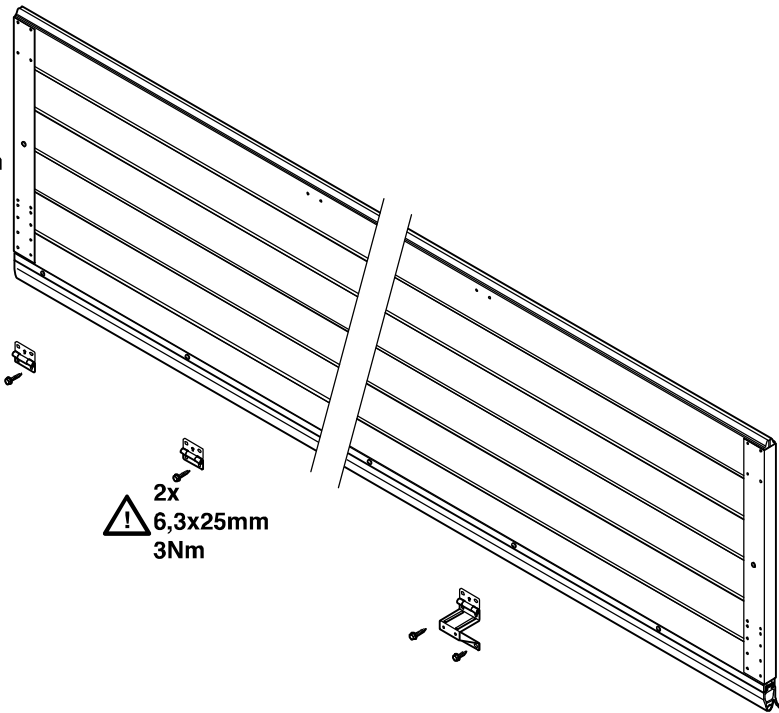
# T 340



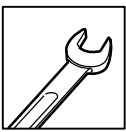
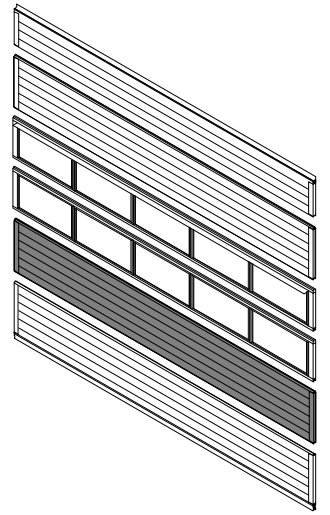


2x  
⚠ 6,3x35mm  
3Nm

2x  
⚠ 6,3x15mm  
3Nm

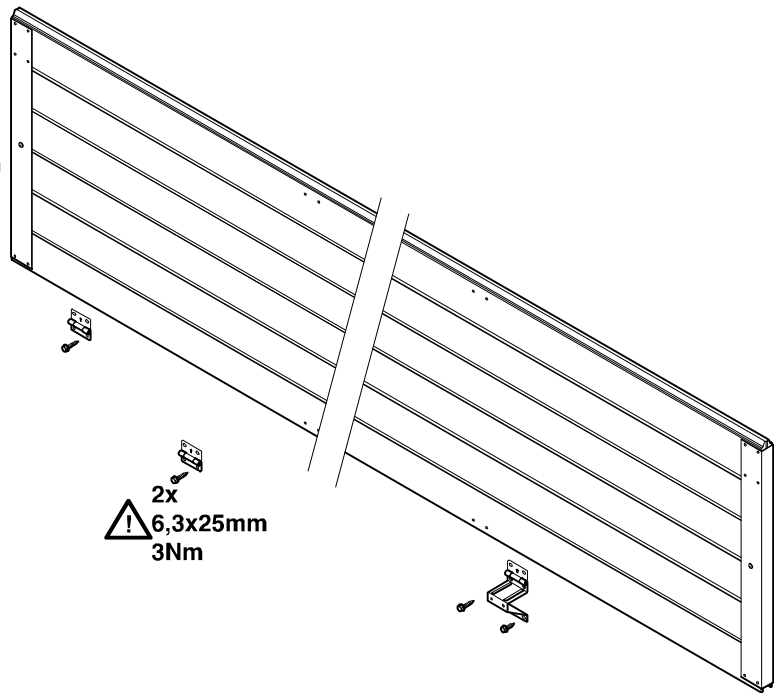


2x  
⚠ 6,3x25mm  
3Nm

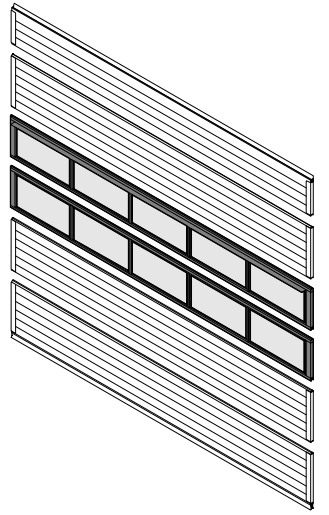


2x  
! 6,3x35mm  
3Nm

2x  
! 6,3x15mm  
3Nm

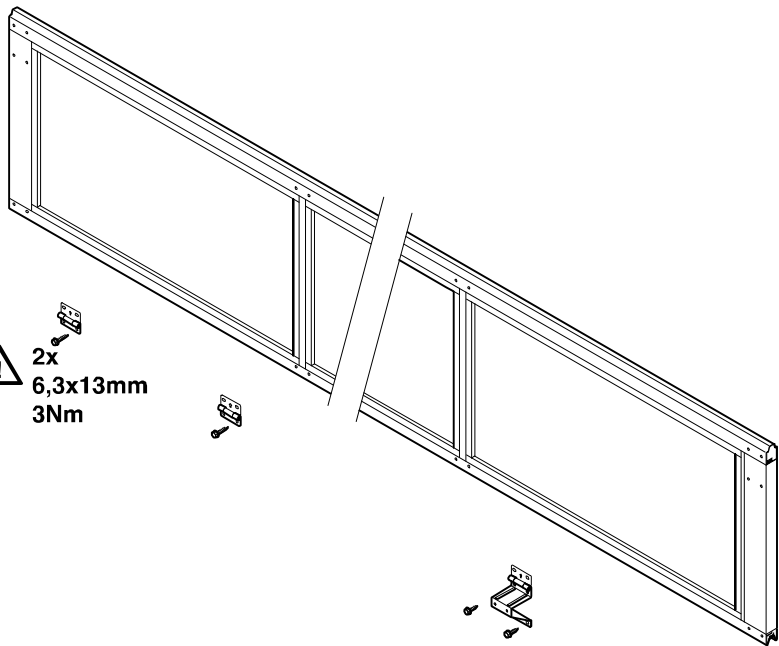


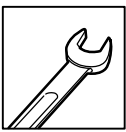
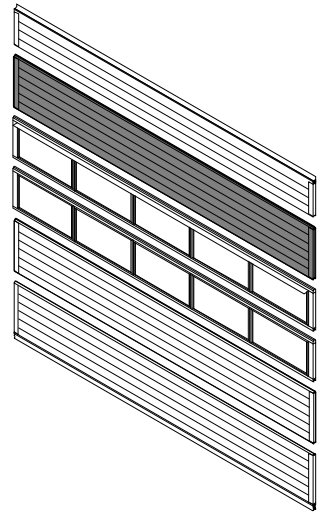
2x  
! 6,3x25mm  
3Nm



⚠ 4x  
6,3x13mm  
3Nm

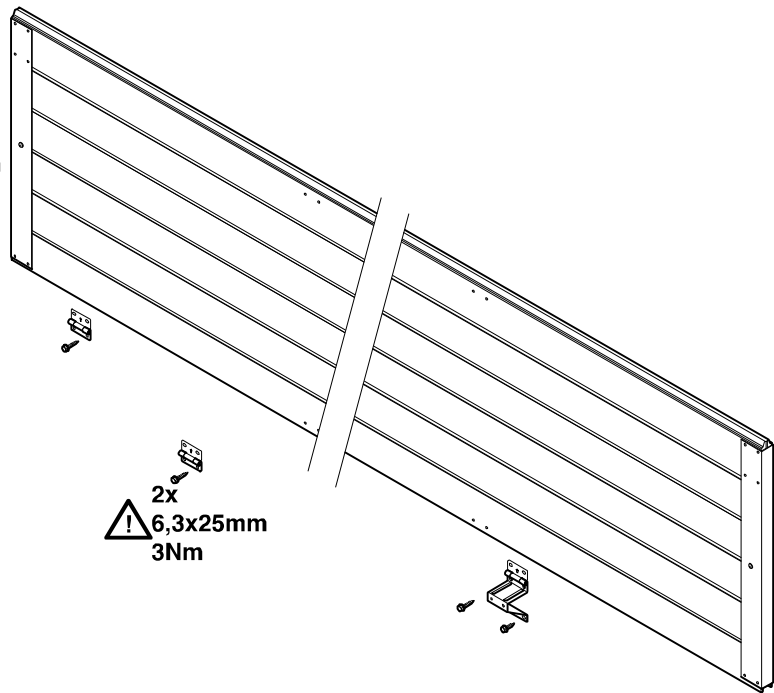
⚠ 2x  
6,3x13mm  
3Nm



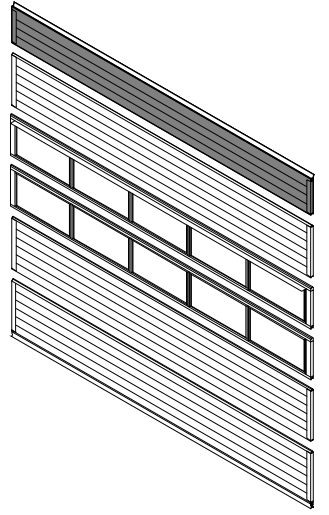


2x  
! 6,3x35mm  
3Nm

2x  
! 6,3x15mm  
3Nm

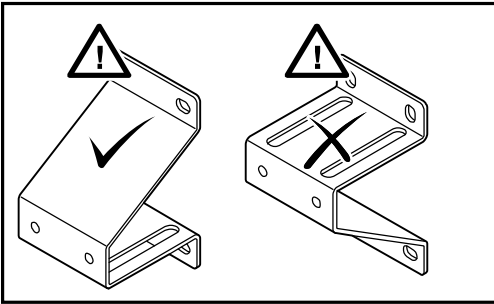
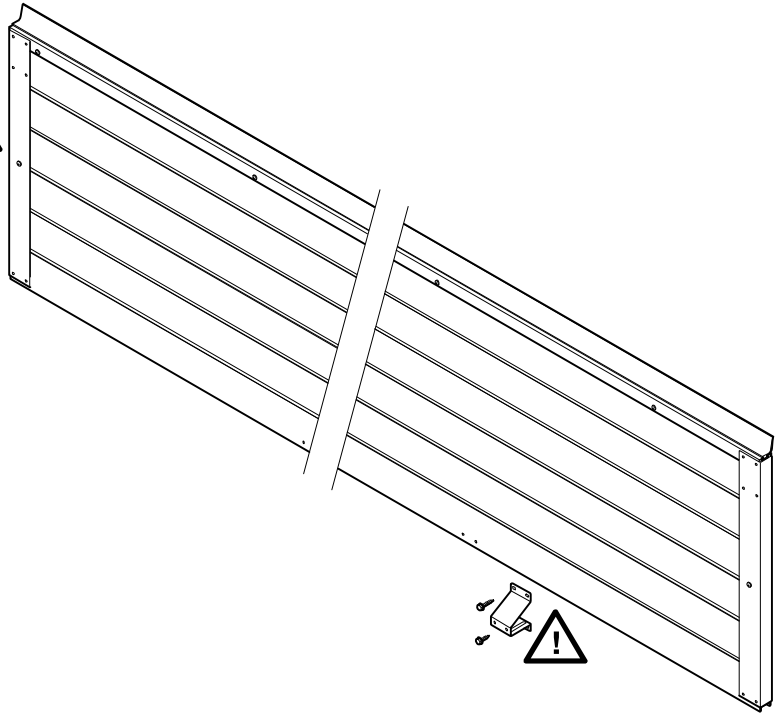


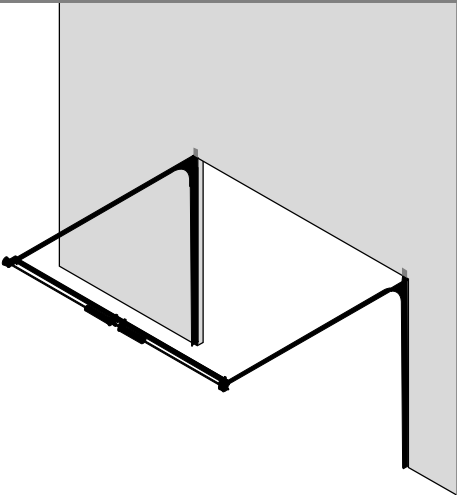
2x  
! 6,3x25mm  
3Nm



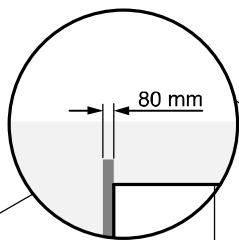
2x  
⚠ 6,3x35mm  
3Nm

2x  
⚠ 6,3x15mm  
3Nm

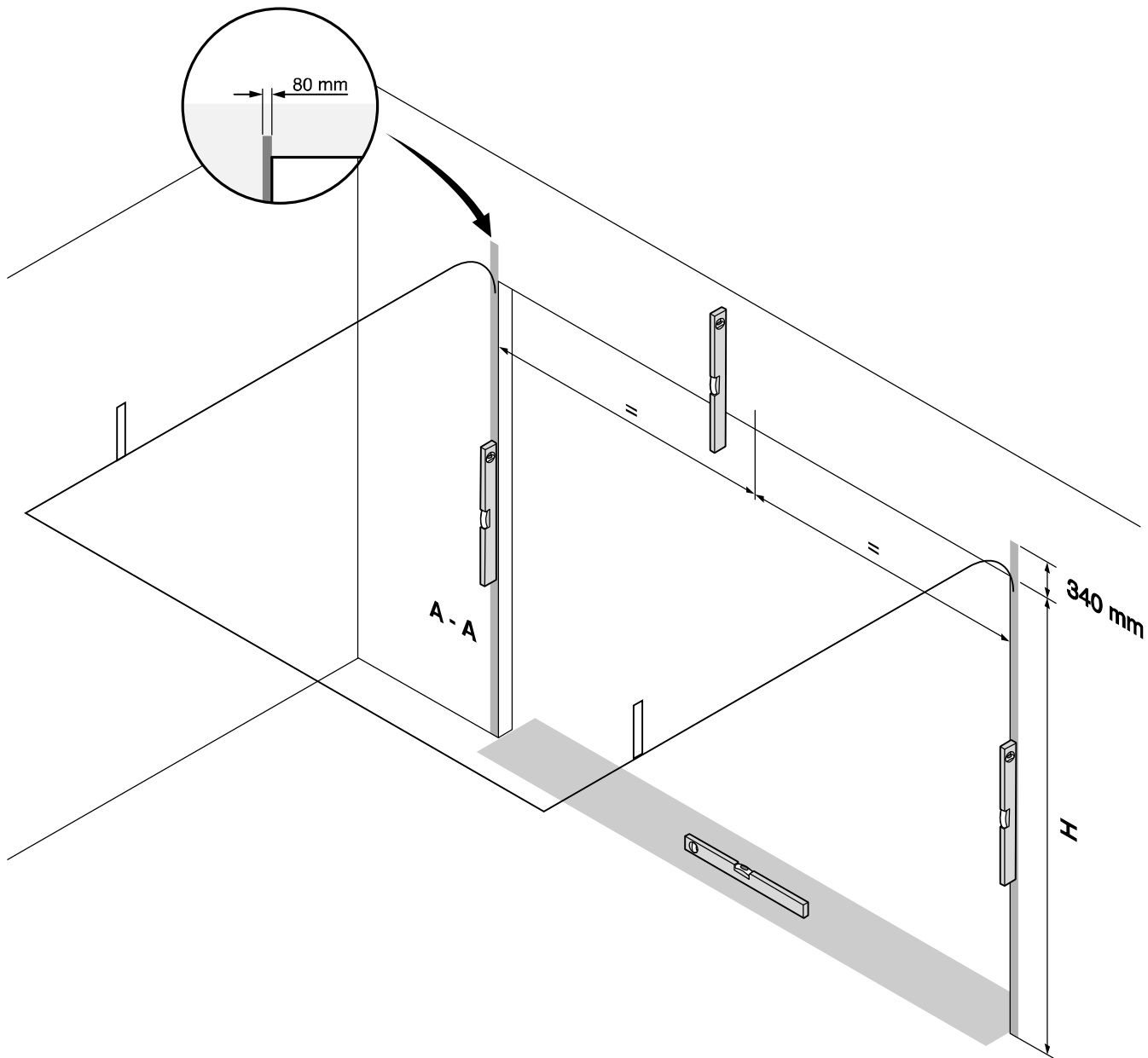




L+R



80 mm



A - A

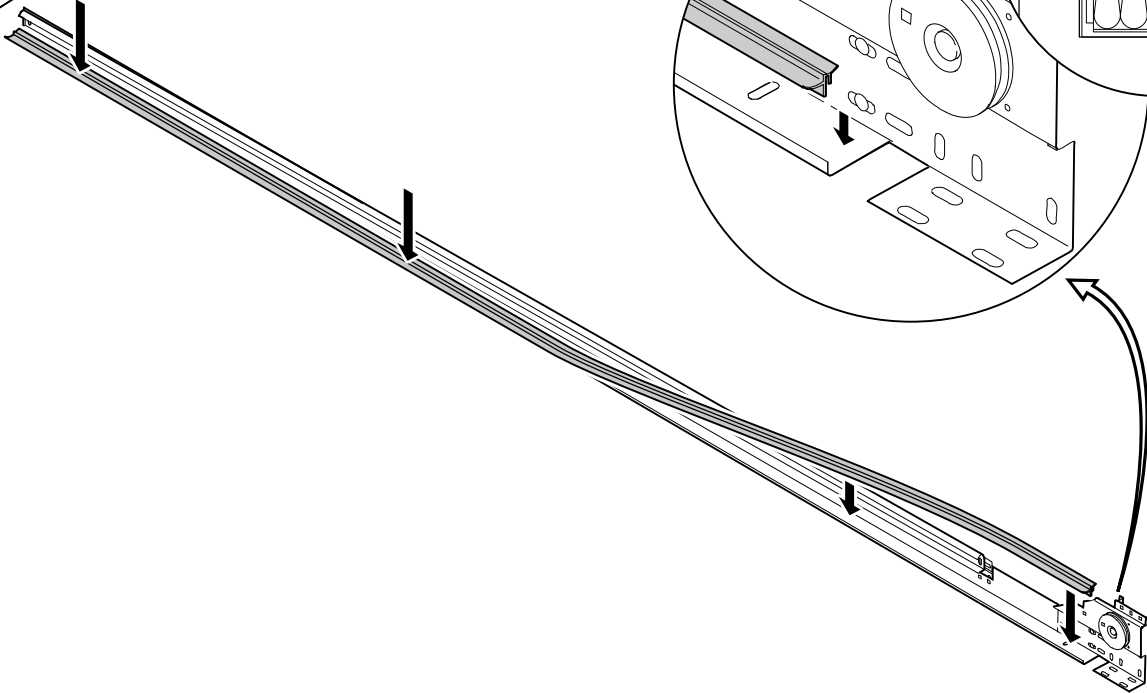
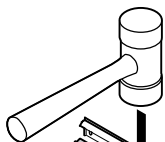
340 mm

H

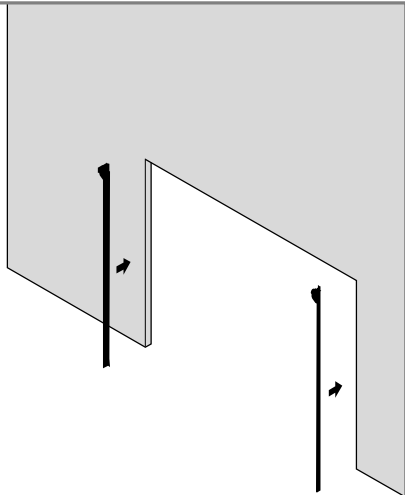
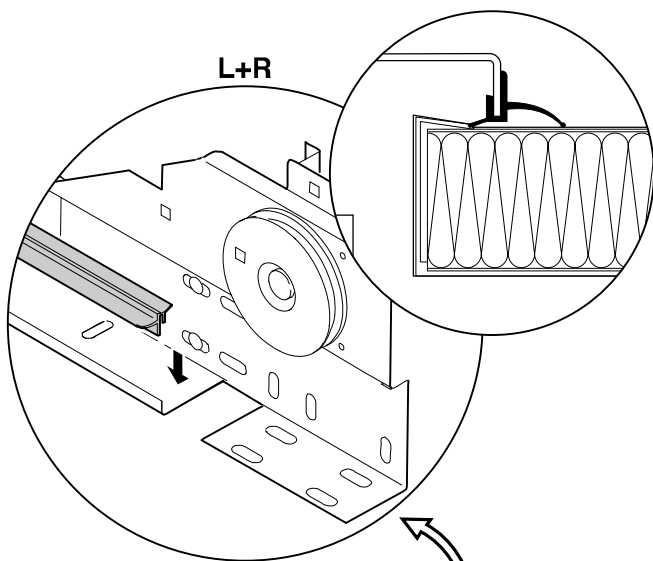
A - A



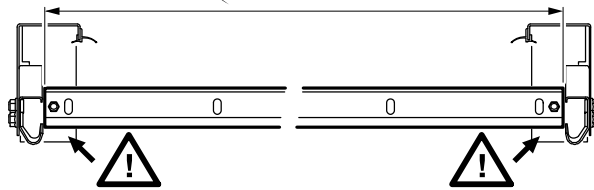
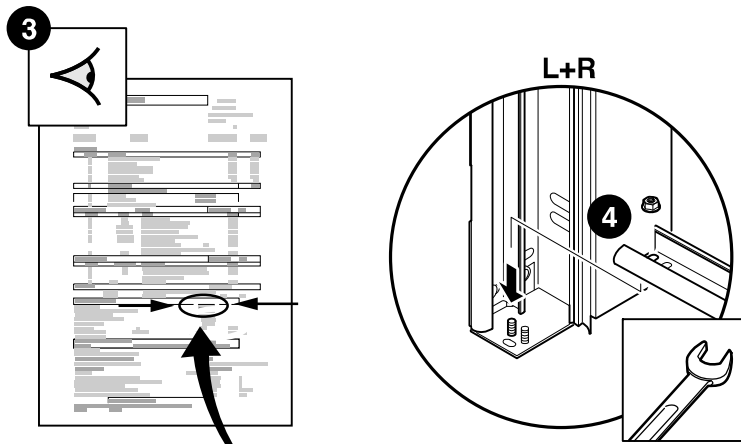
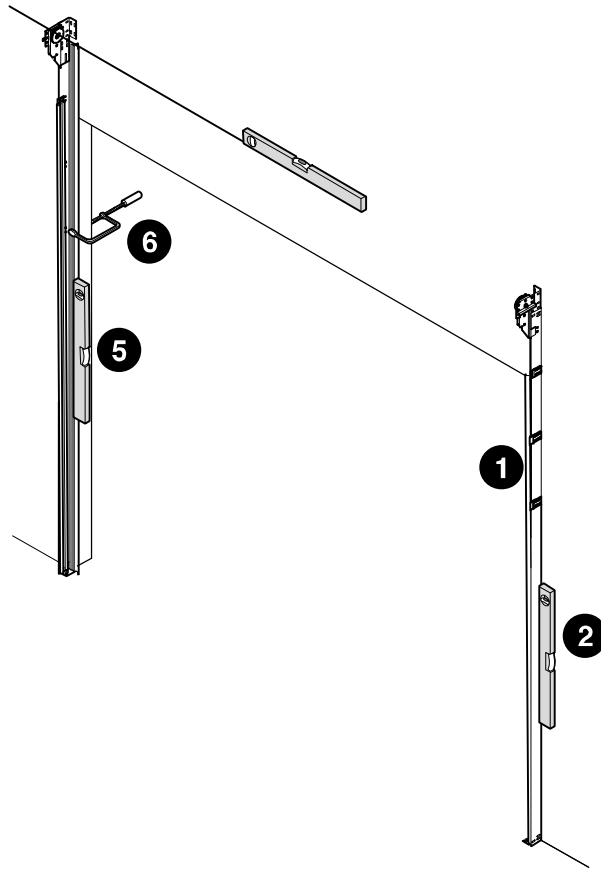
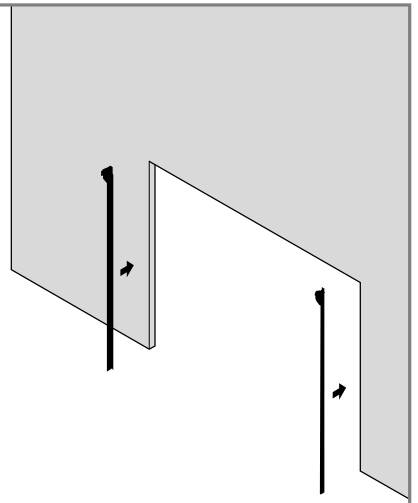
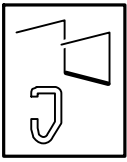
L+R

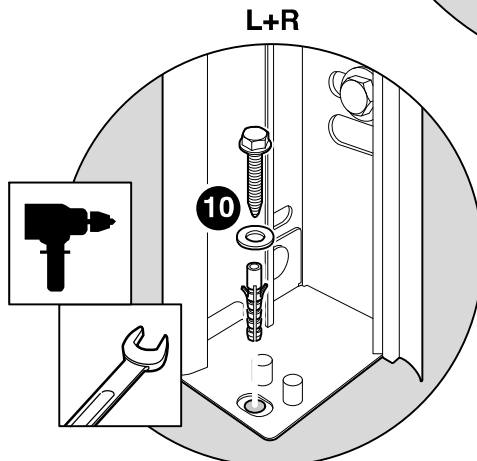
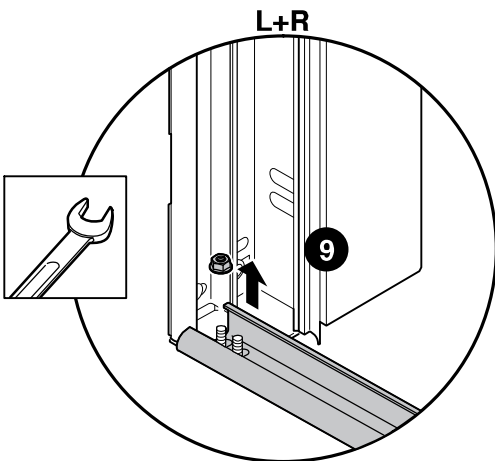
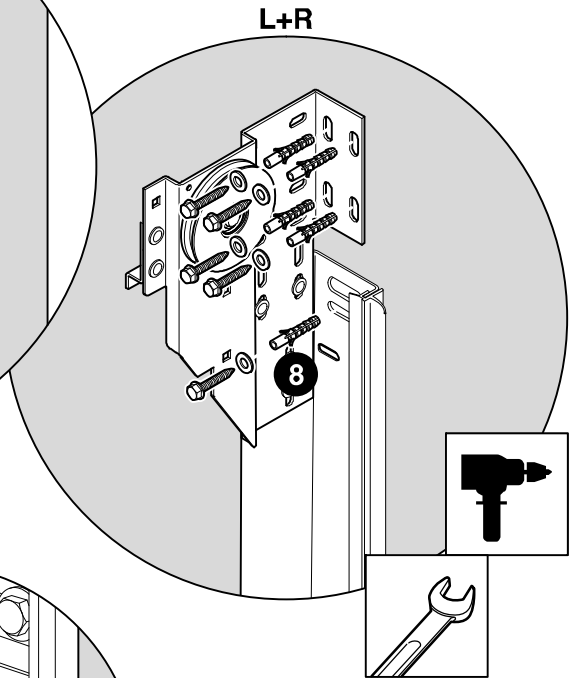
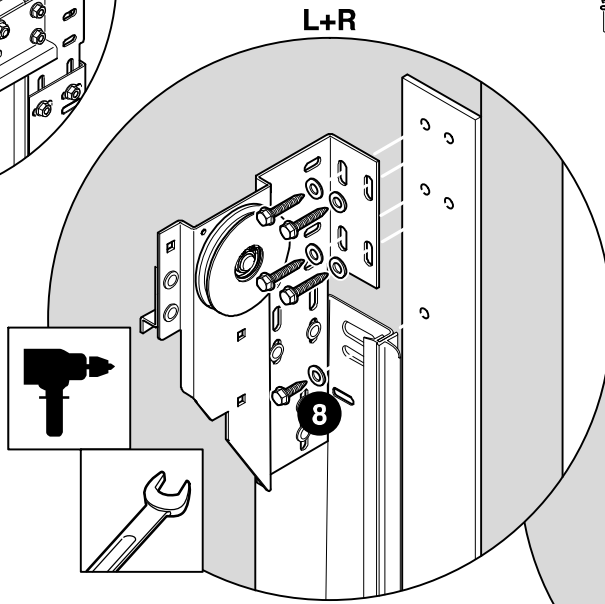
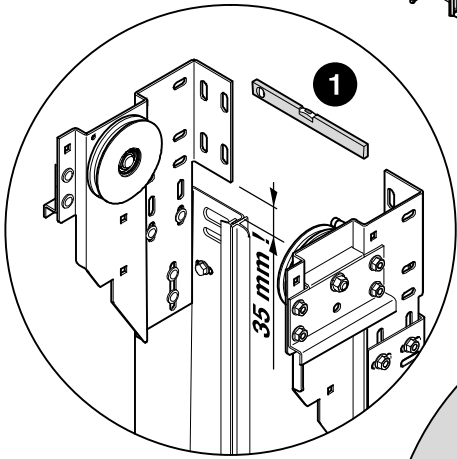
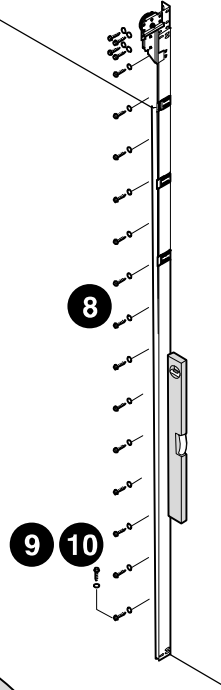
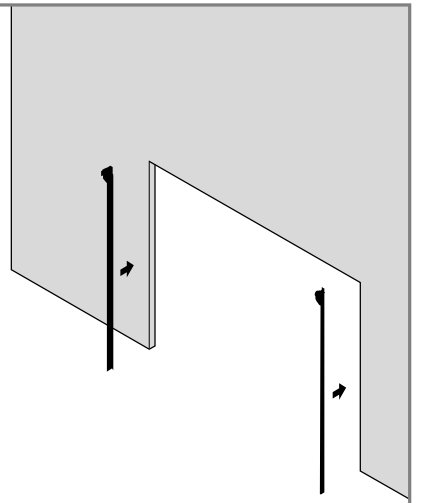
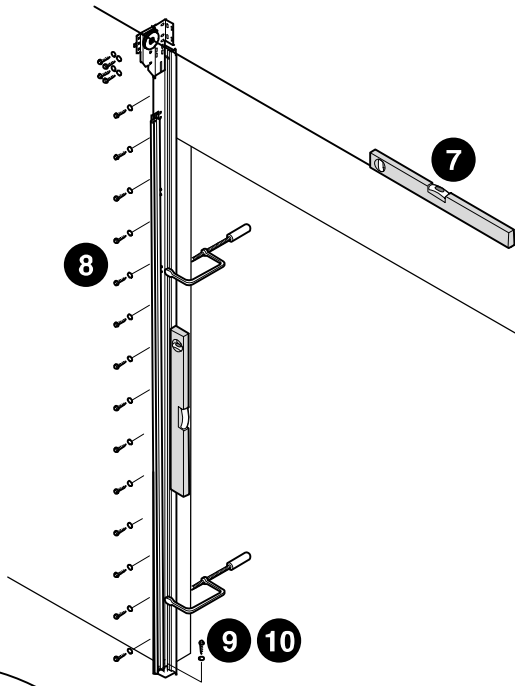
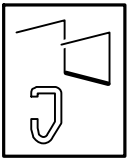


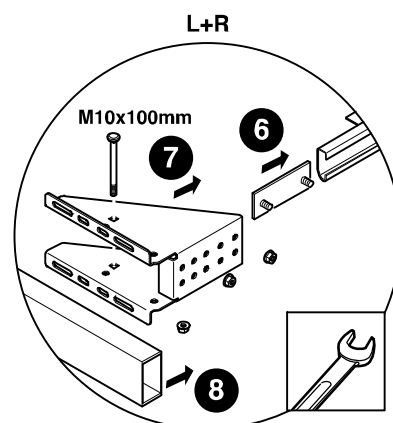
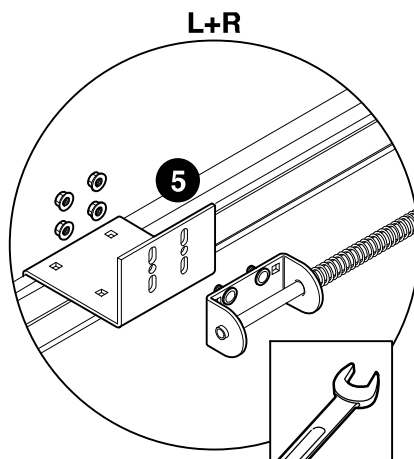
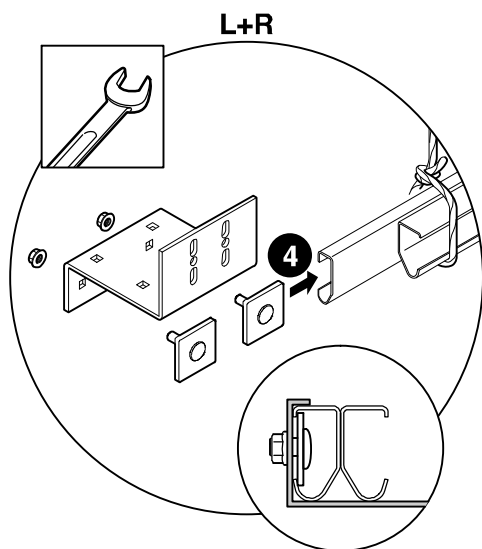
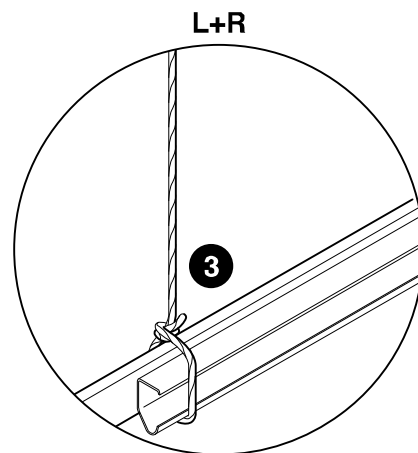
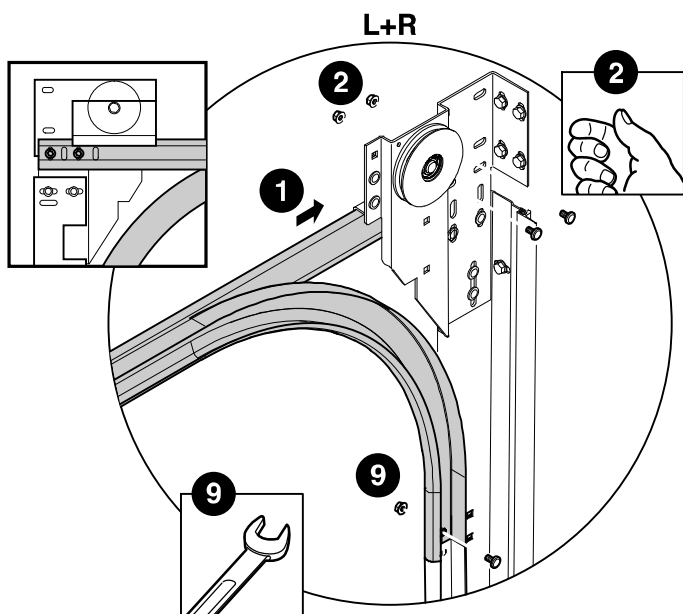
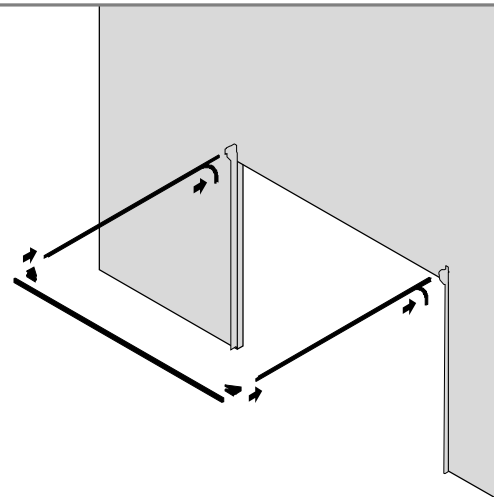
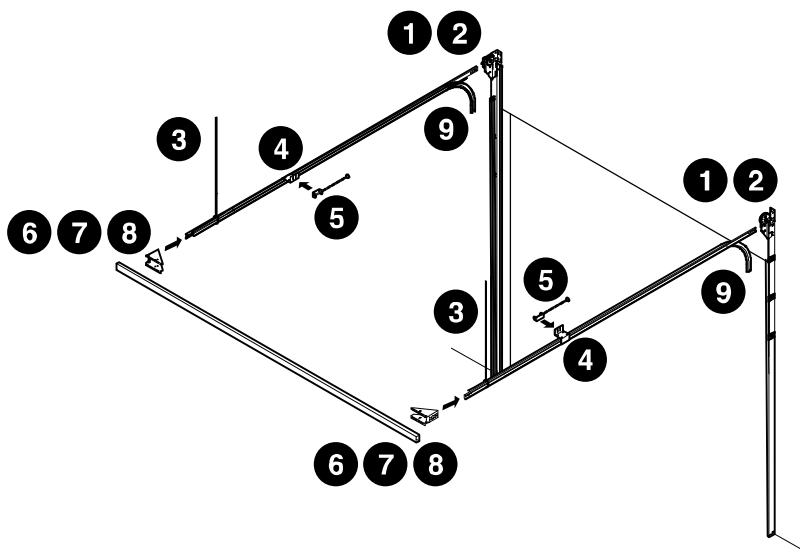
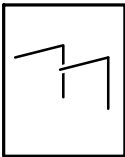
L+R

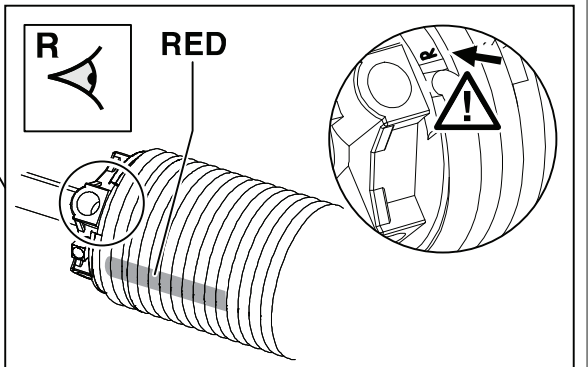
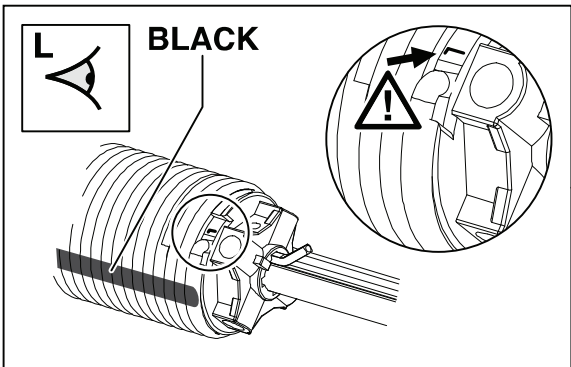
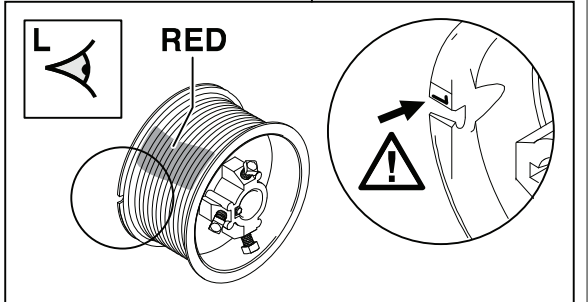
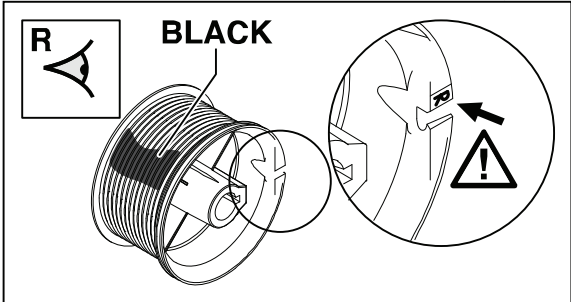
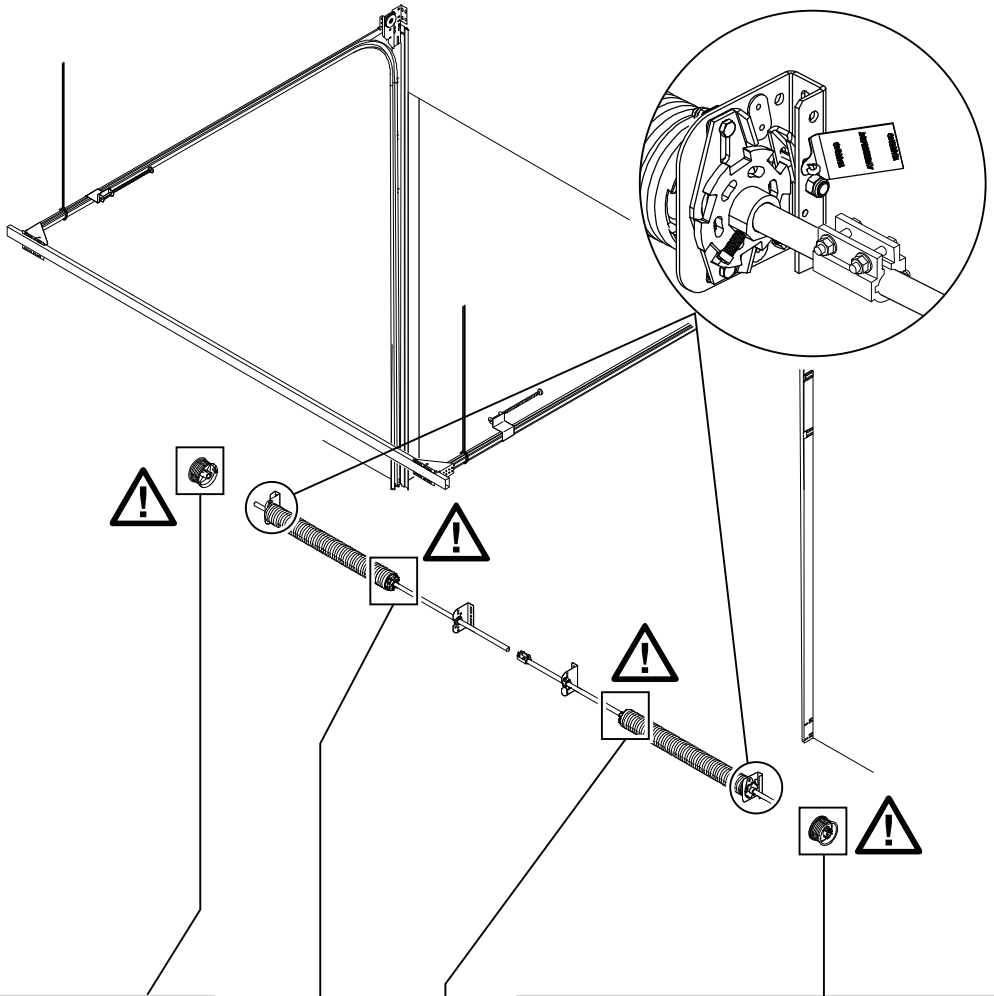
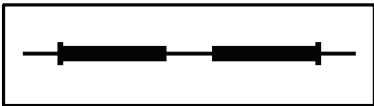


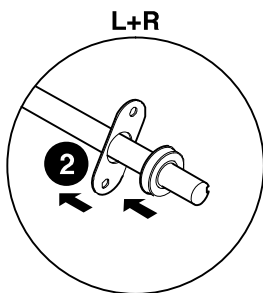
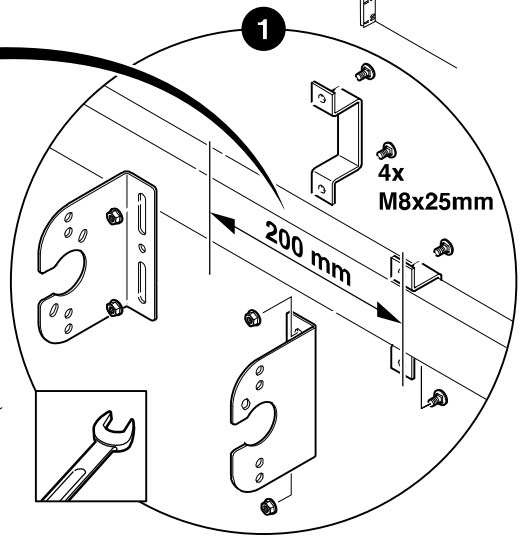
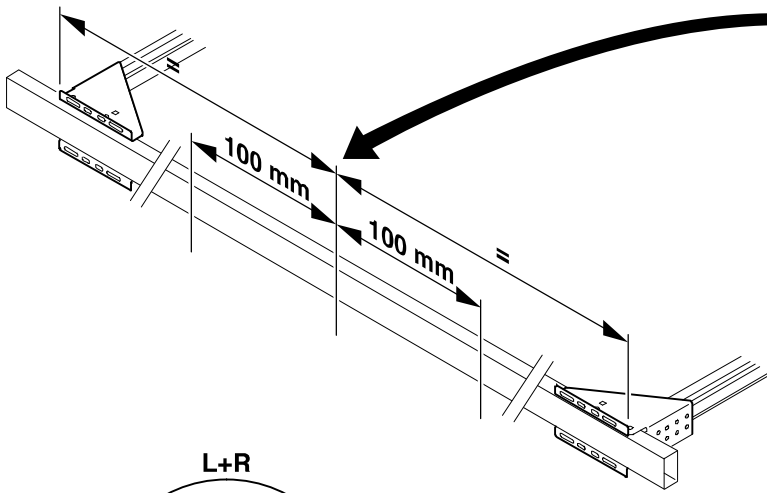
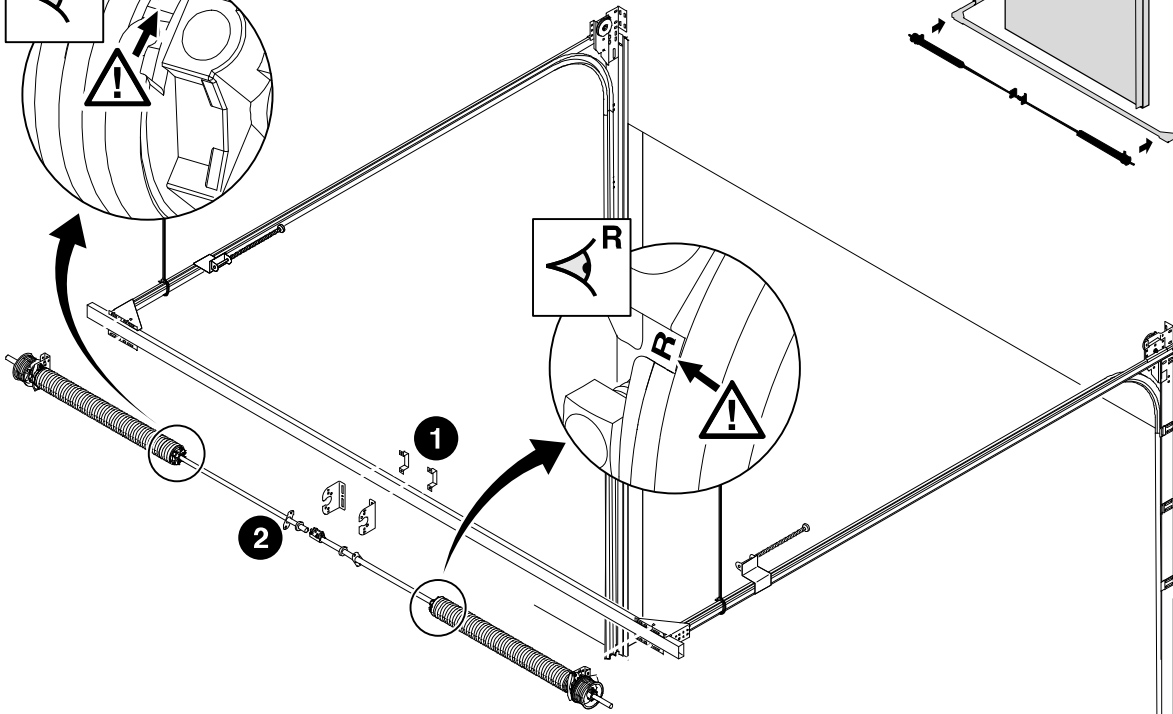
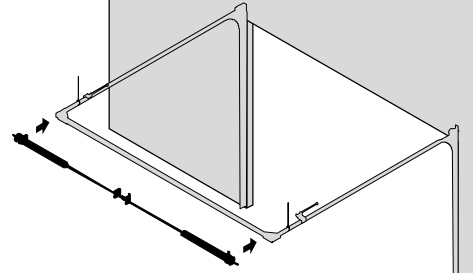
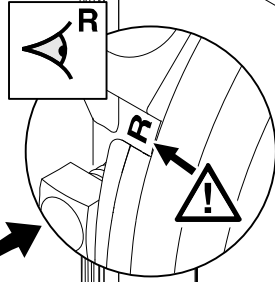
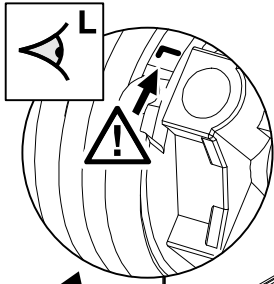


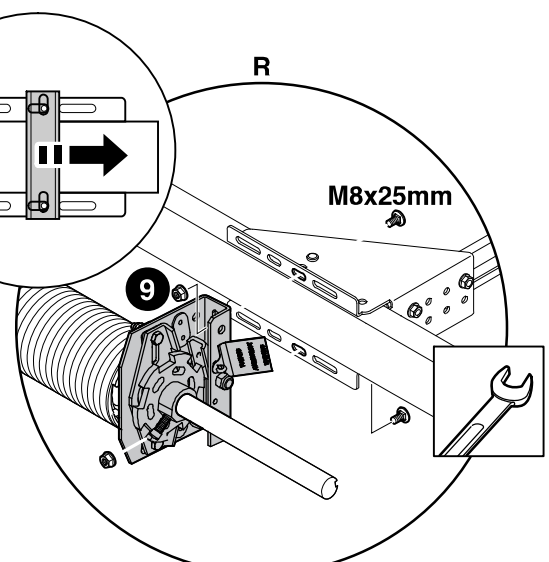
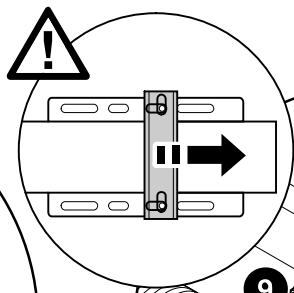
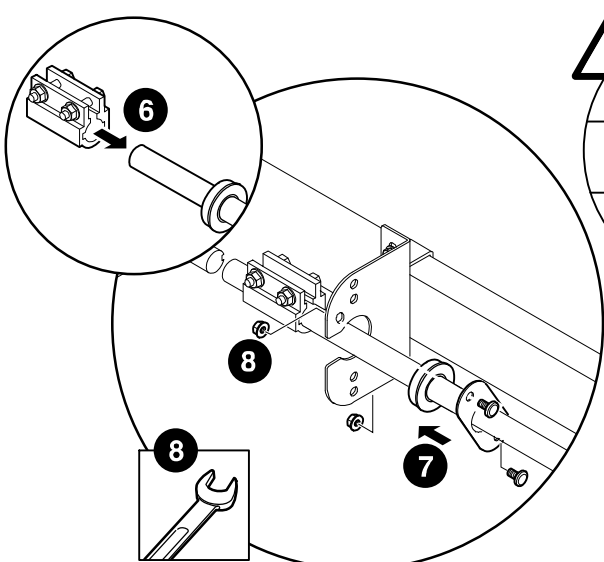
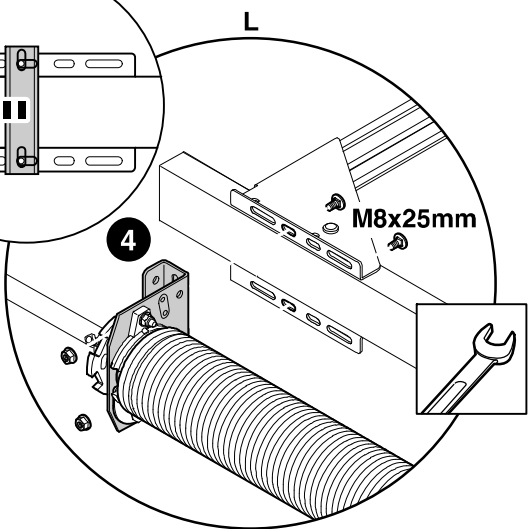
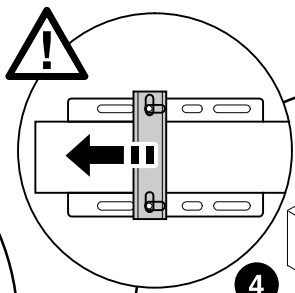
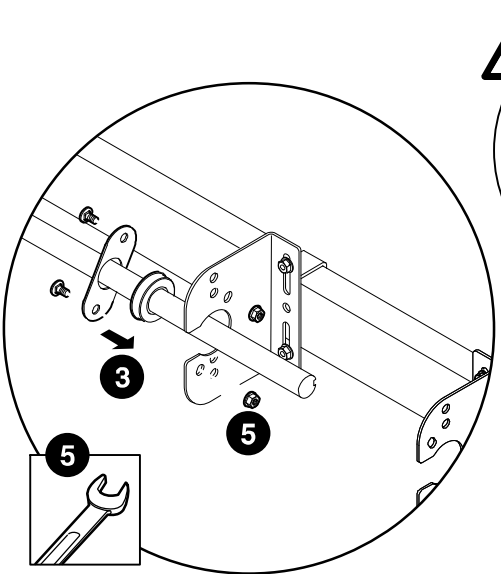
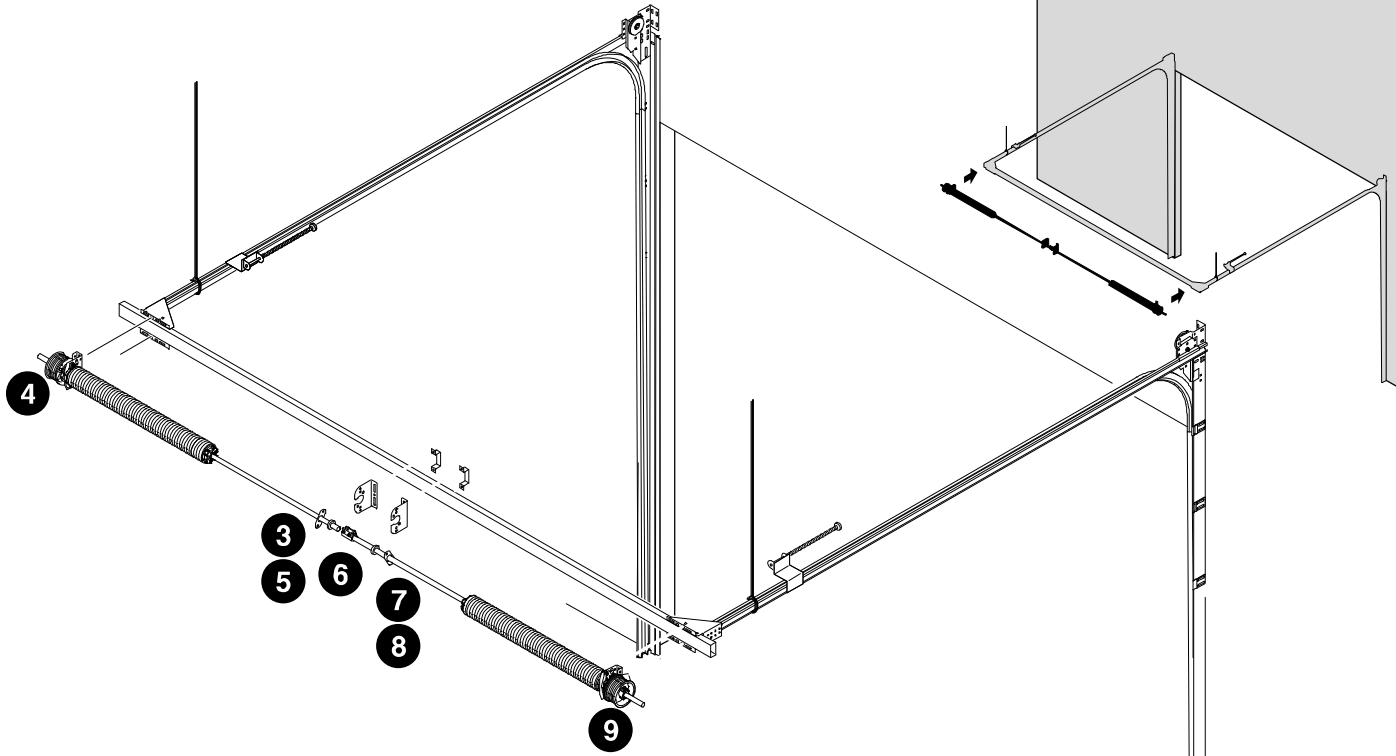
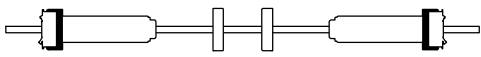


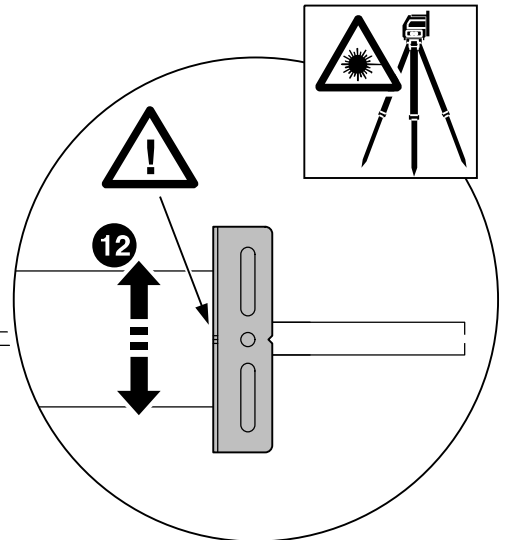
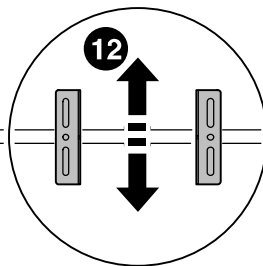
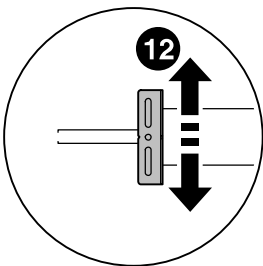
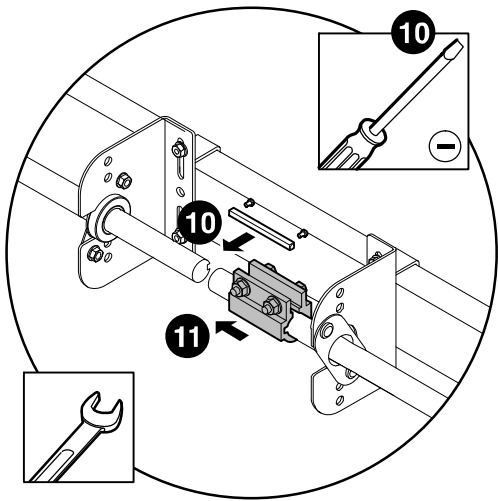
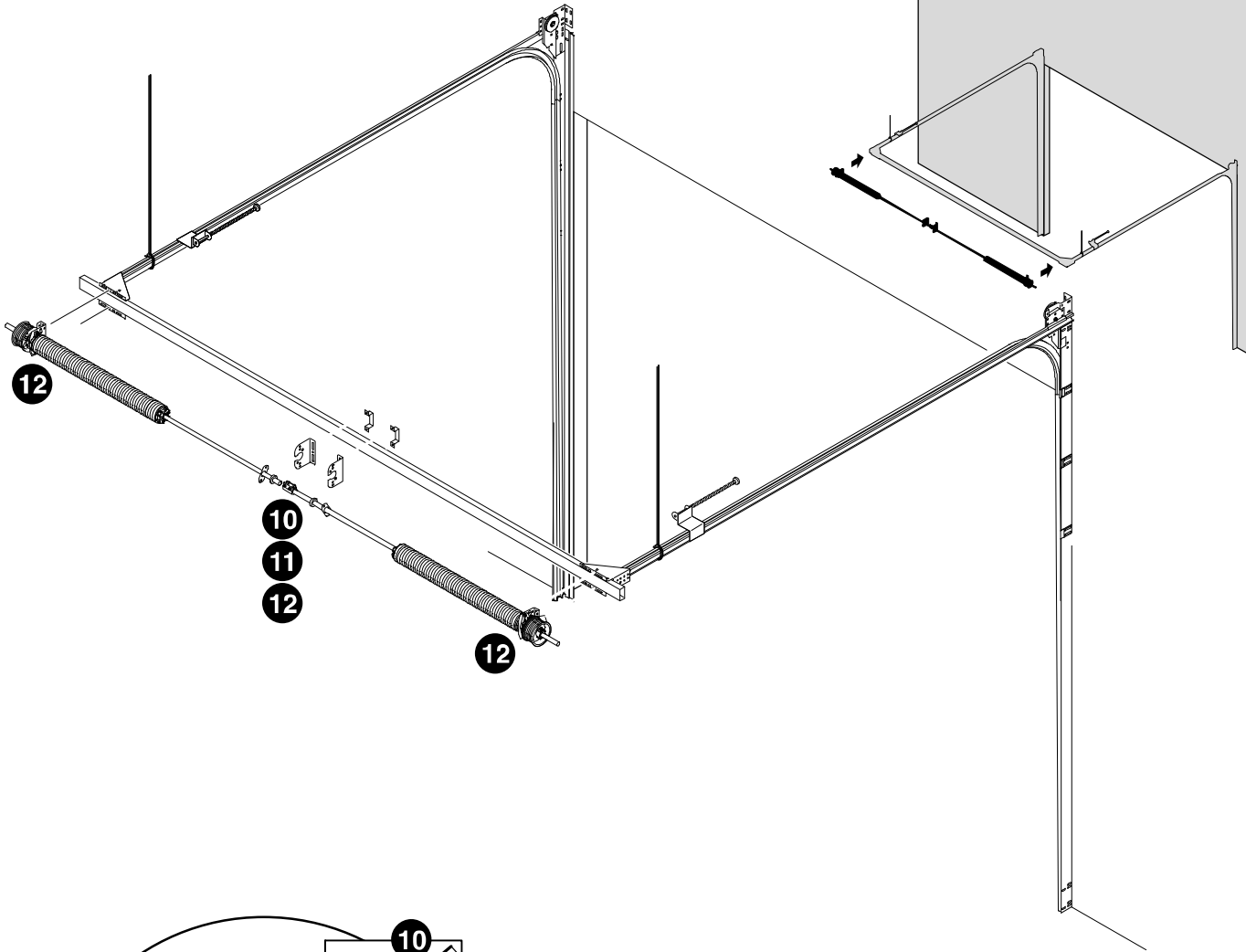


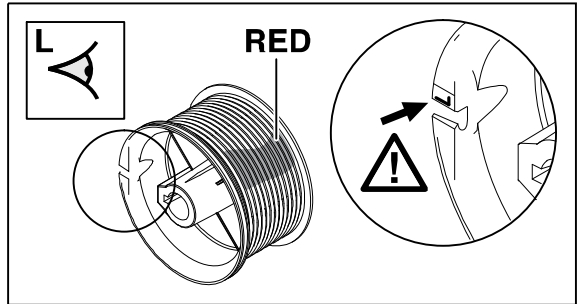
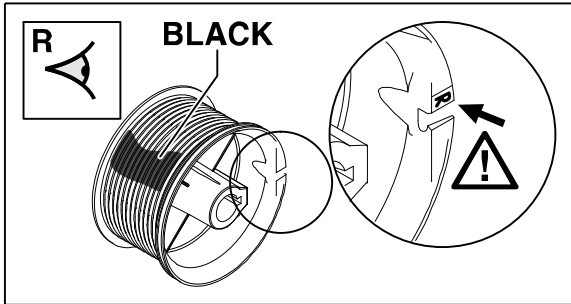
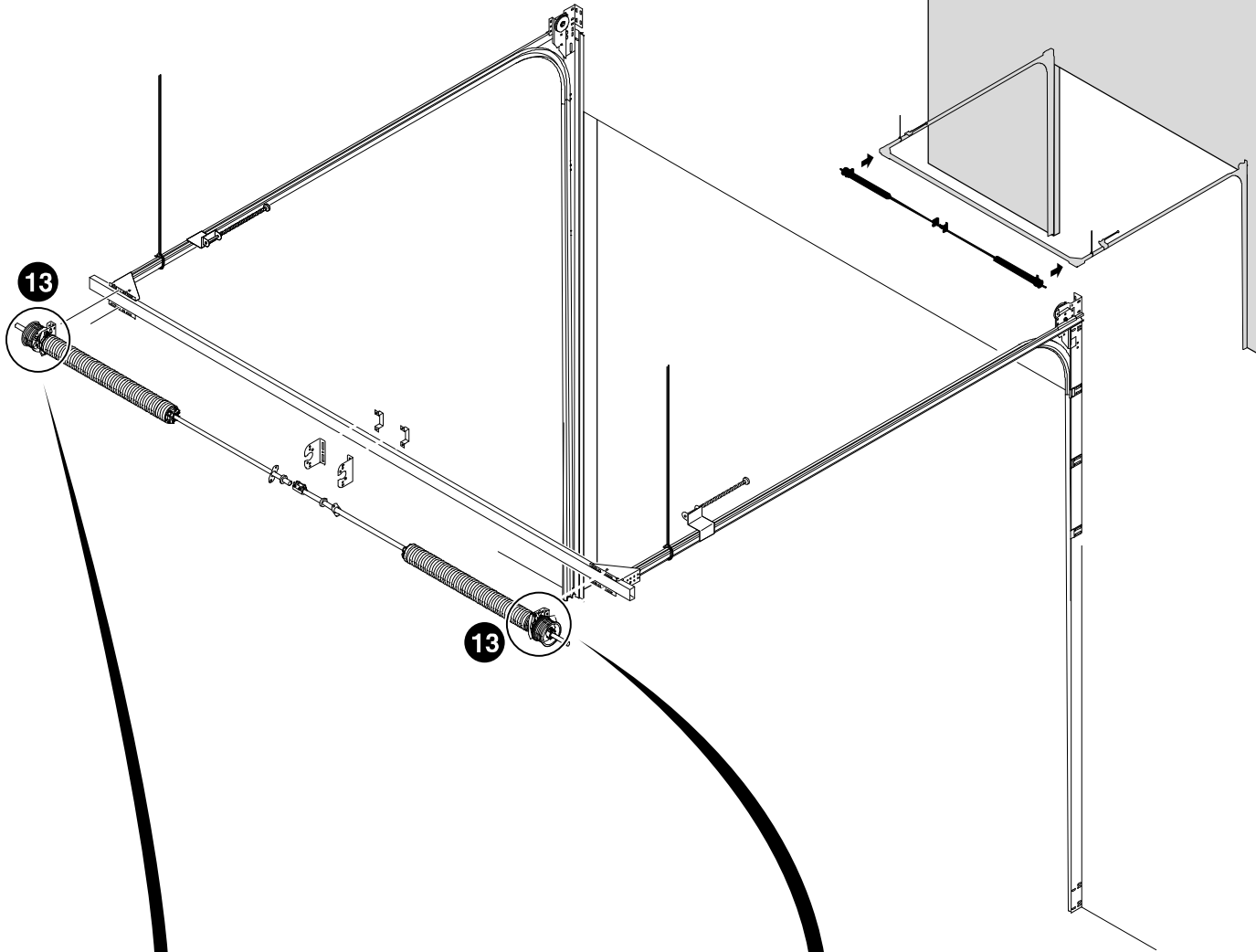
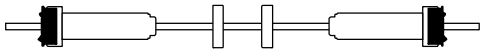




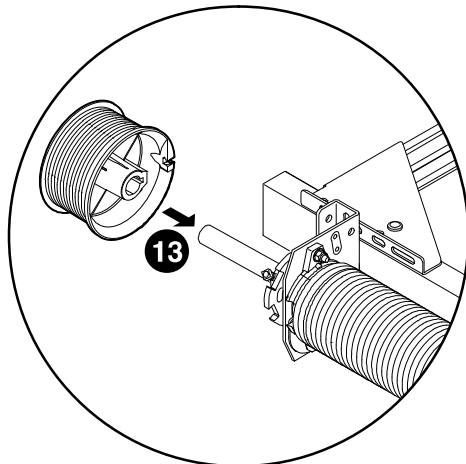




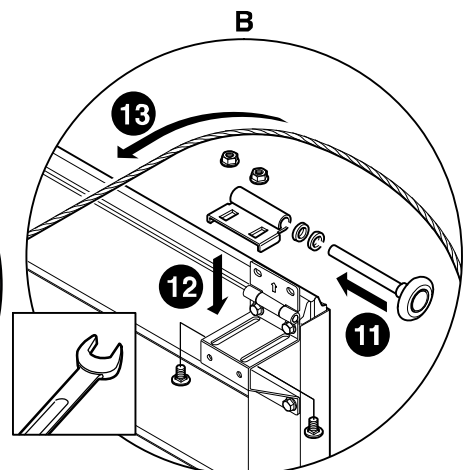
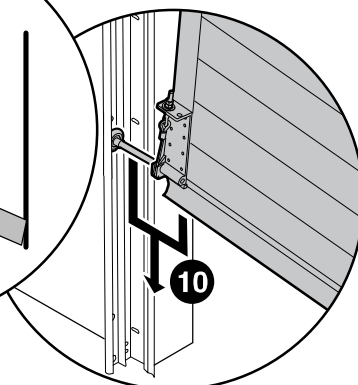
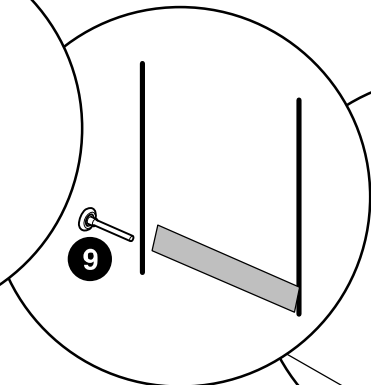
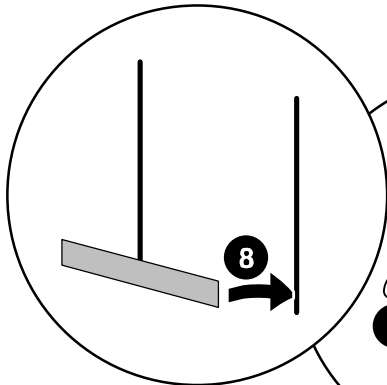
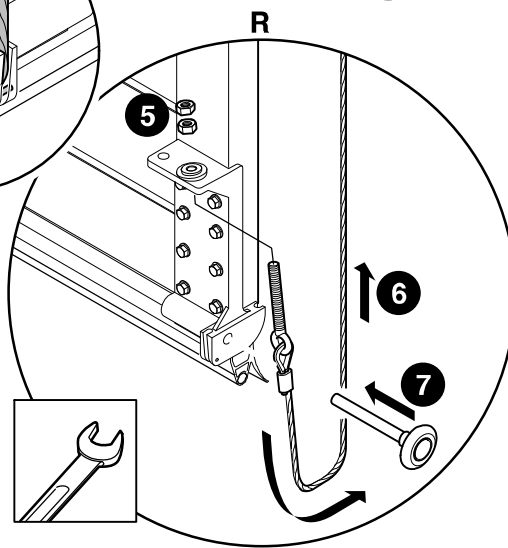
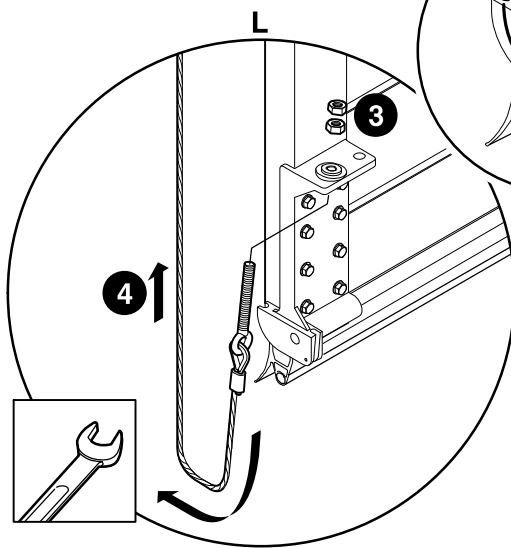
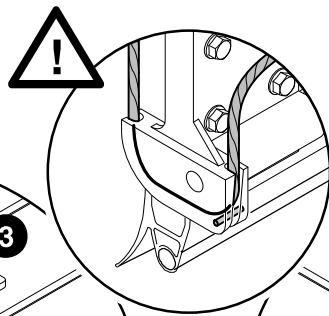
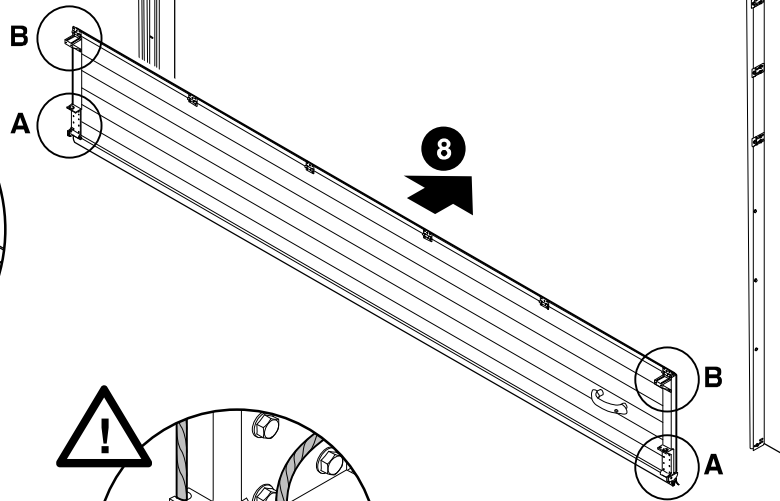
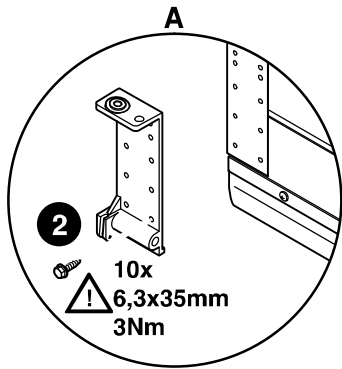
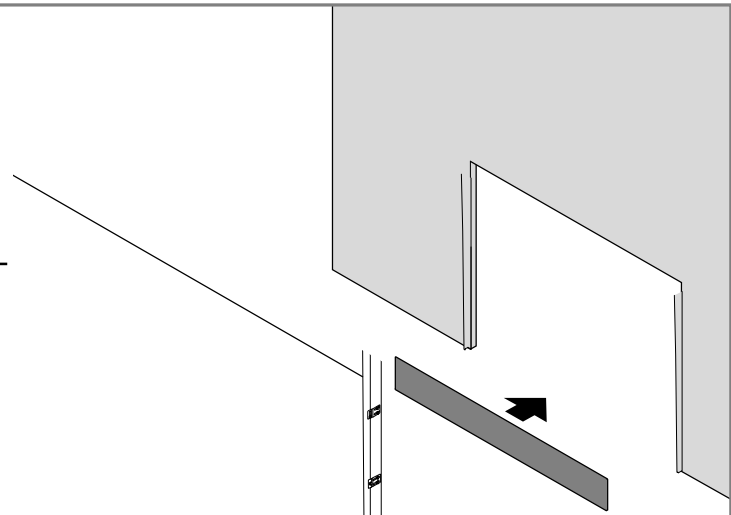
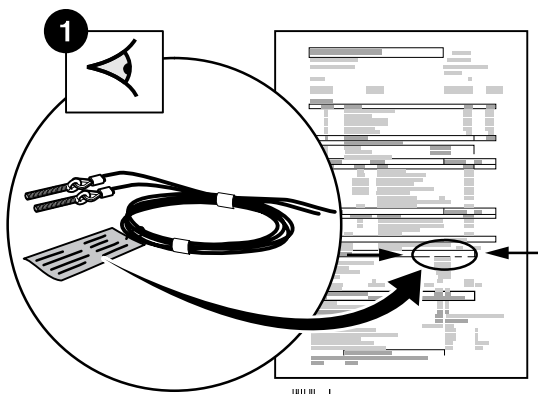
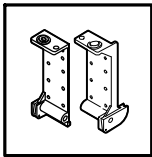


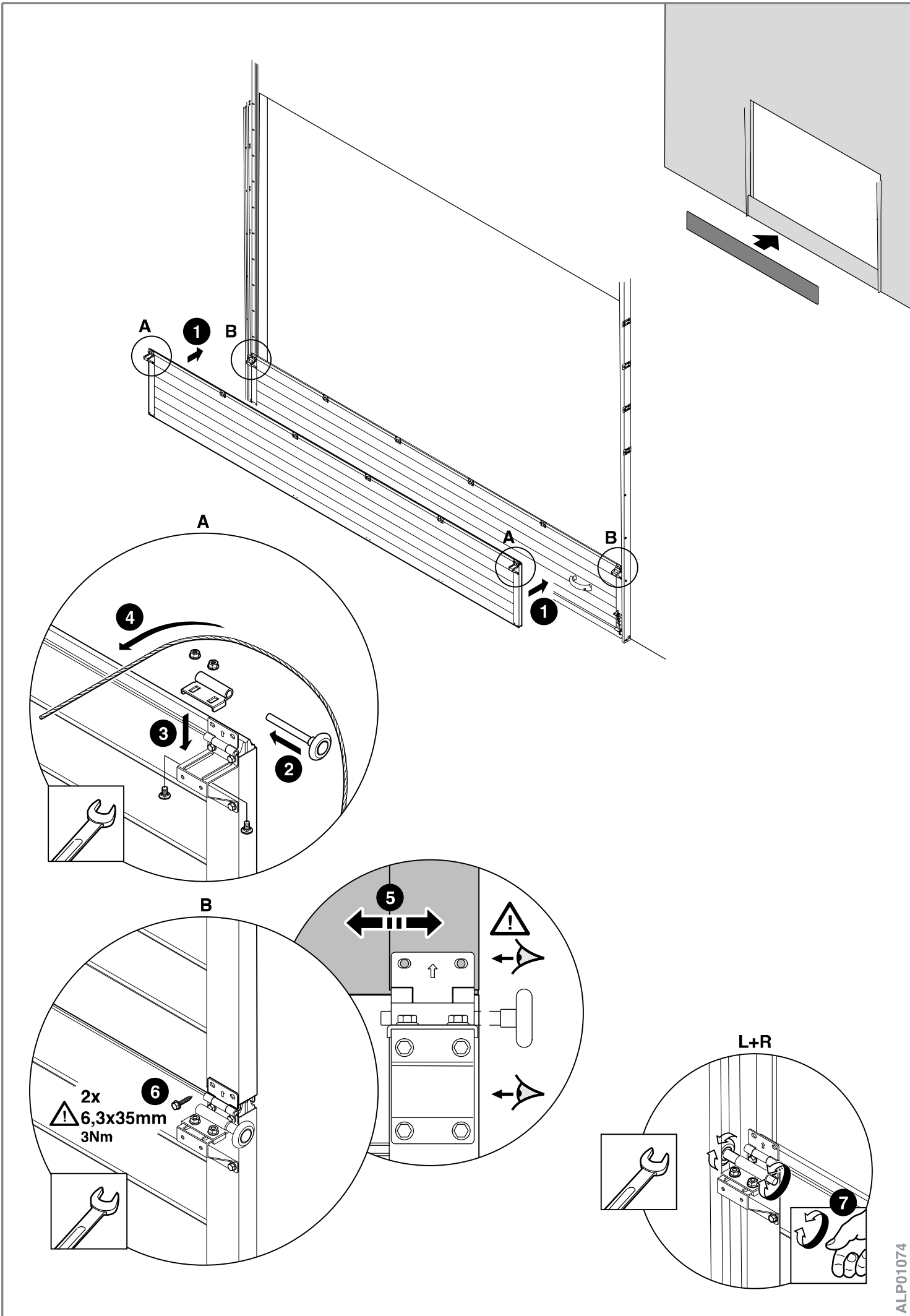


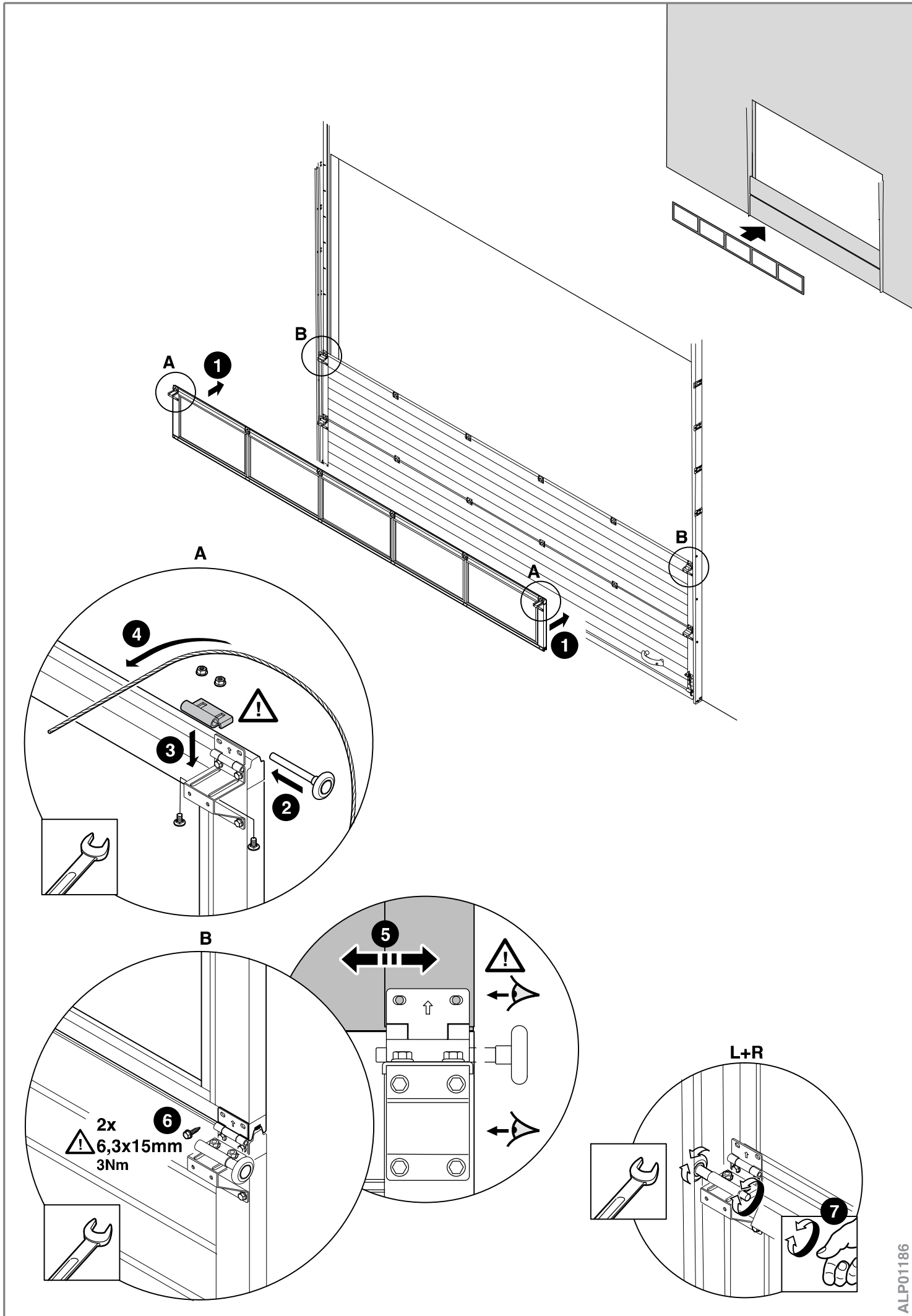
**L+R**



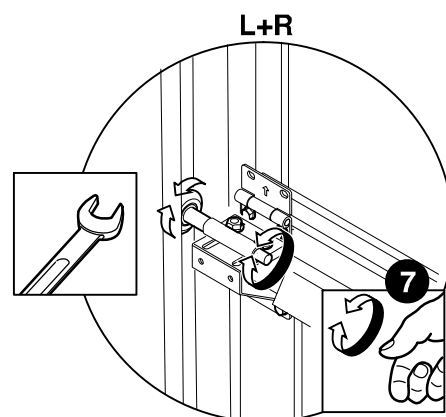
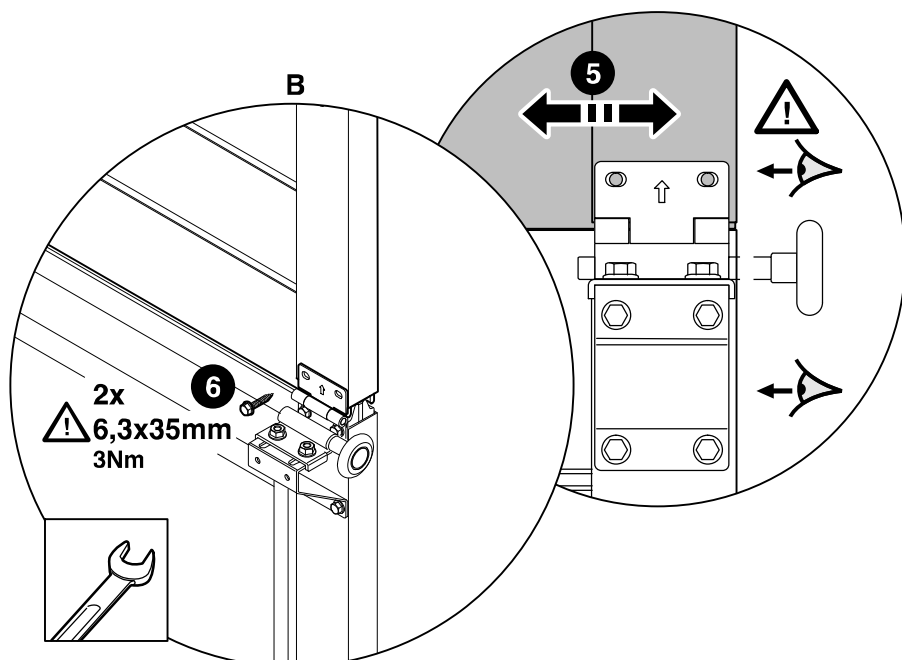
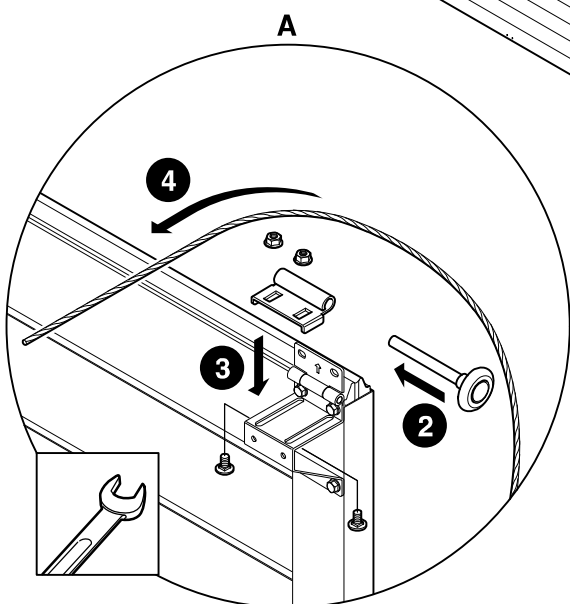
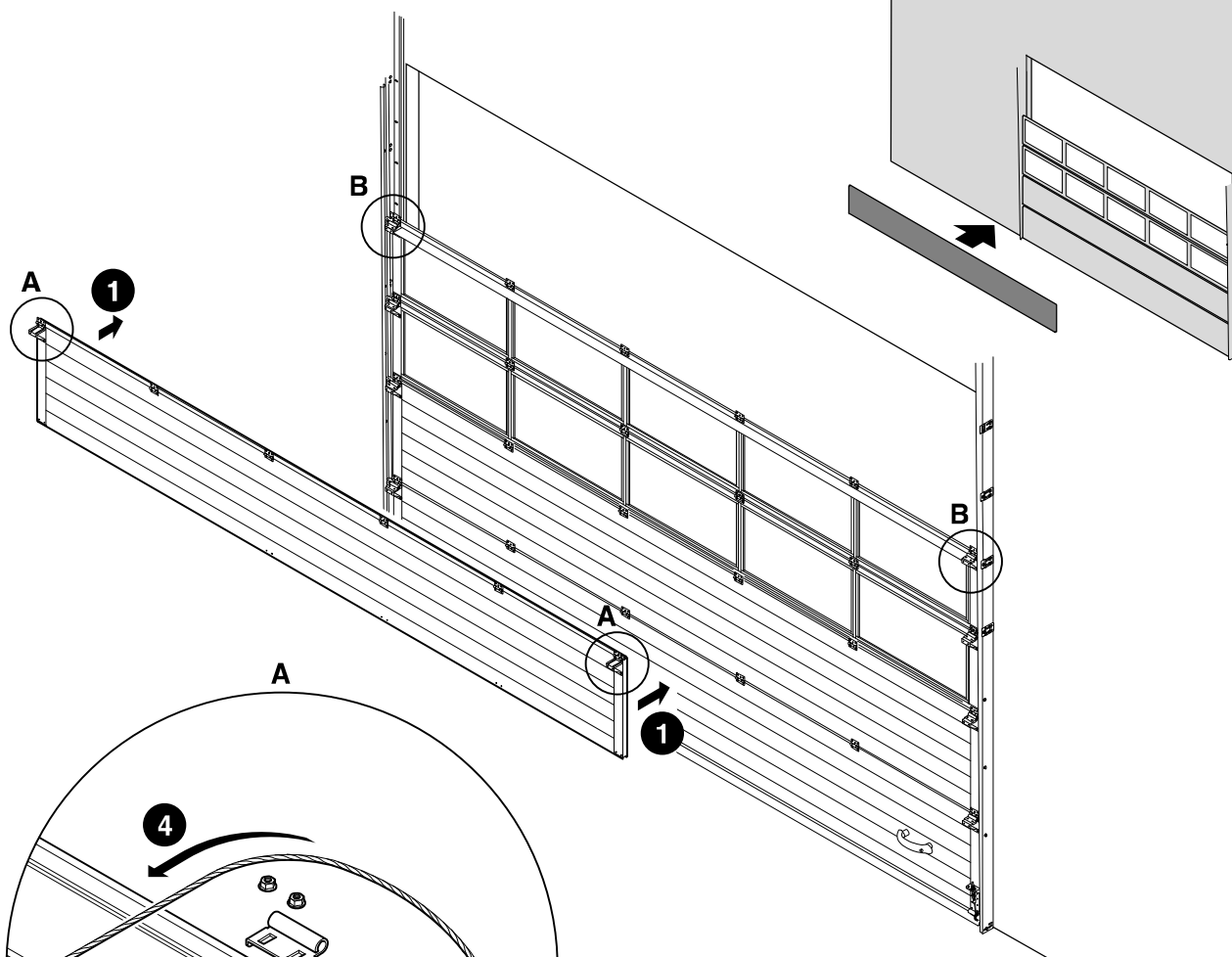


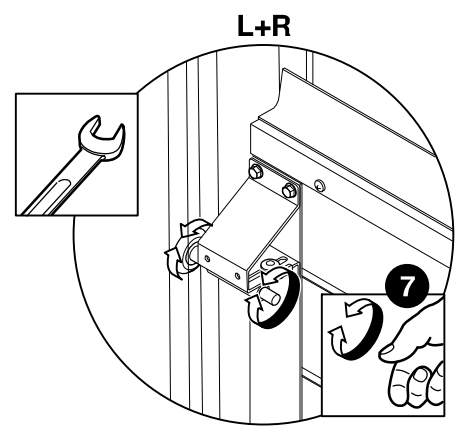
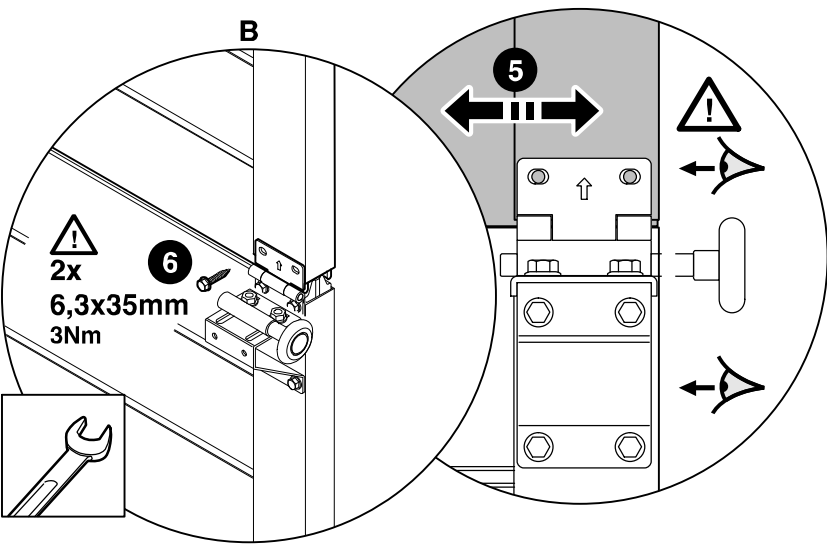
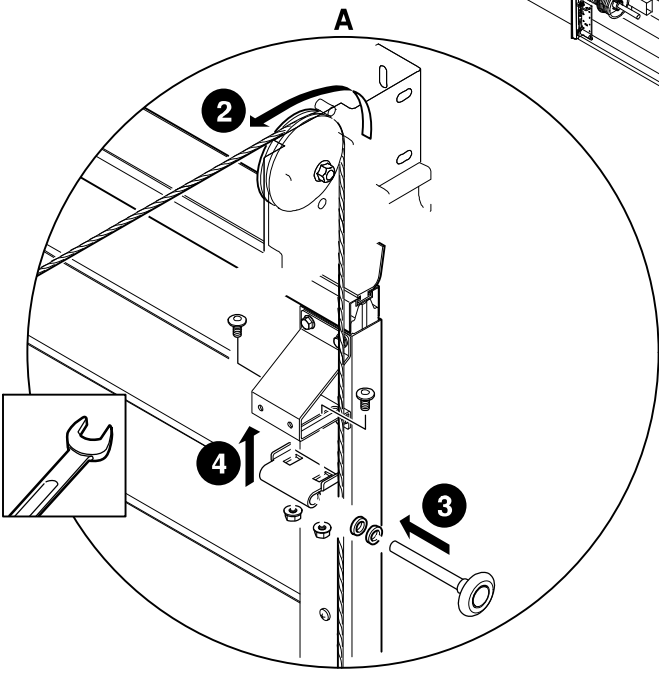
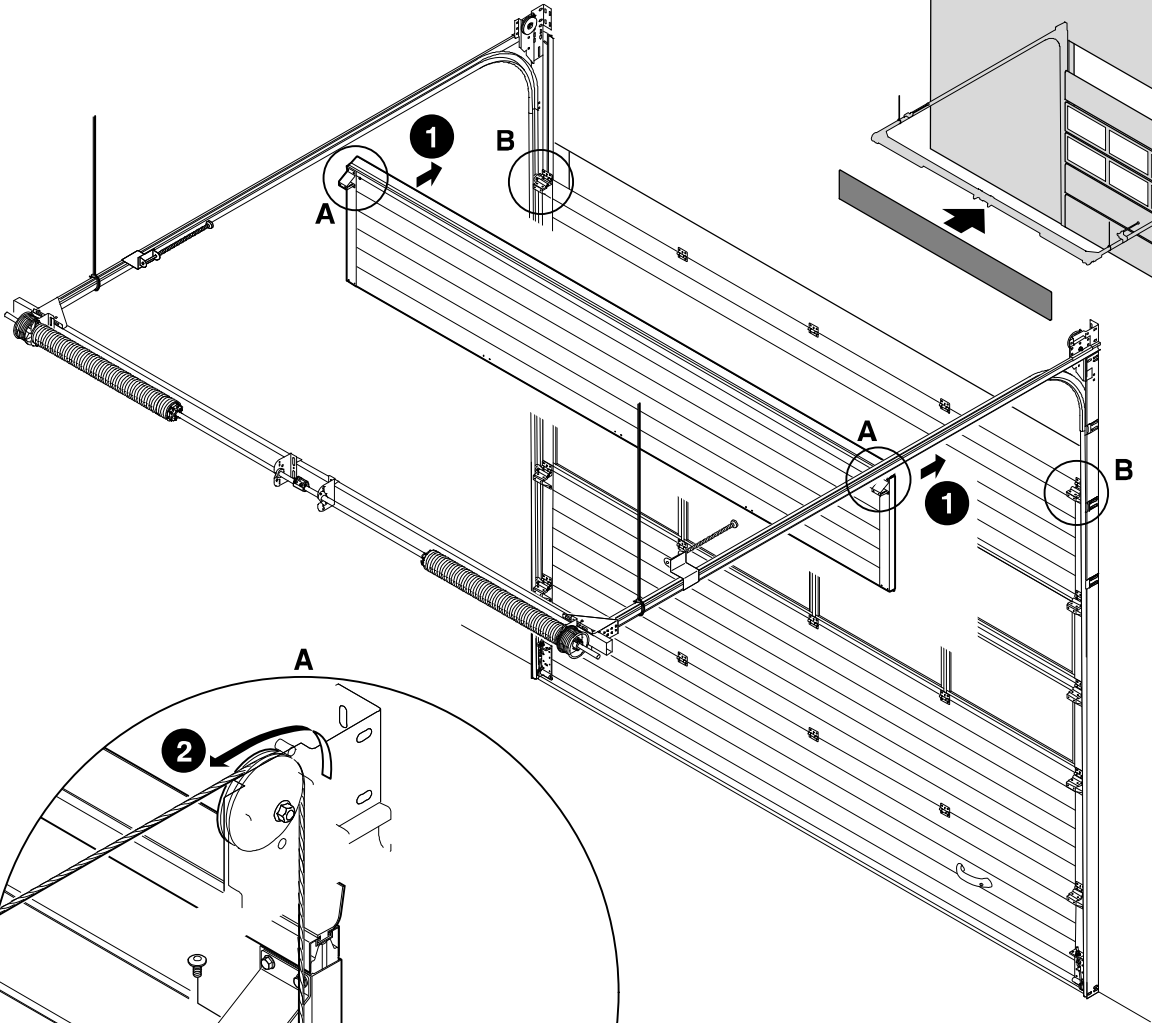


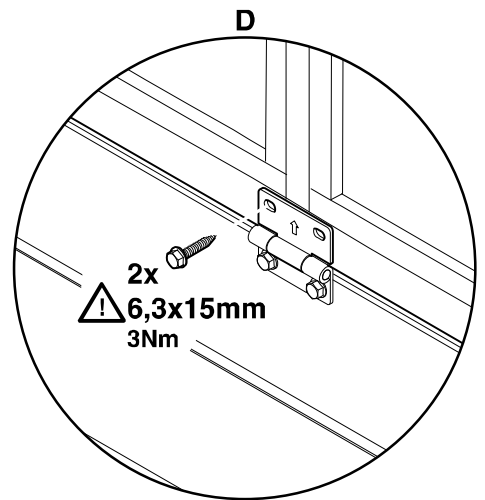
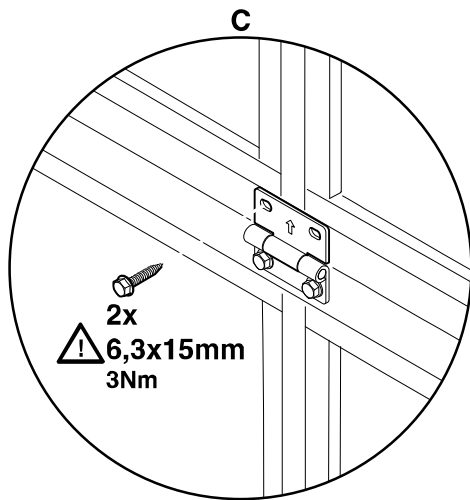
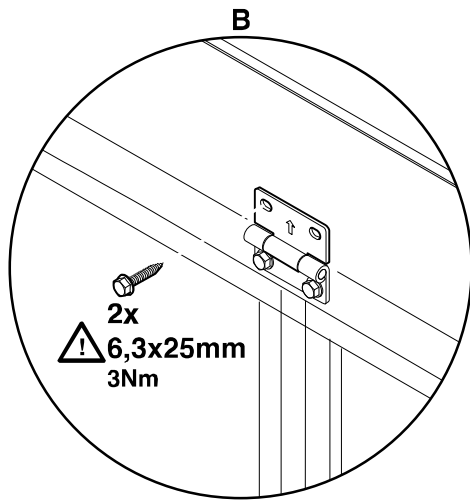
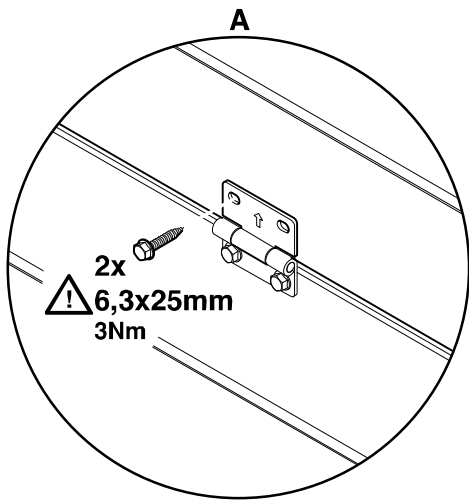
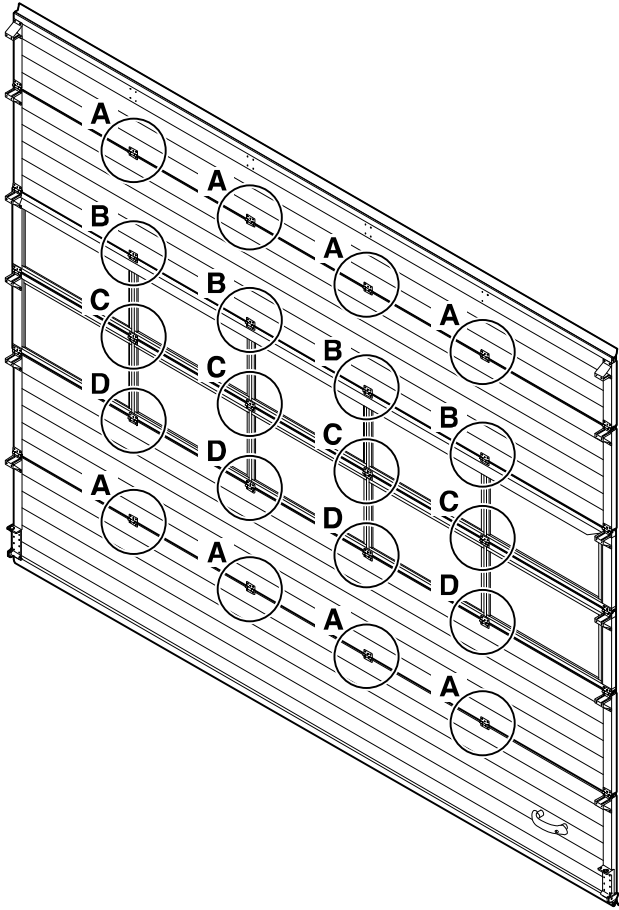


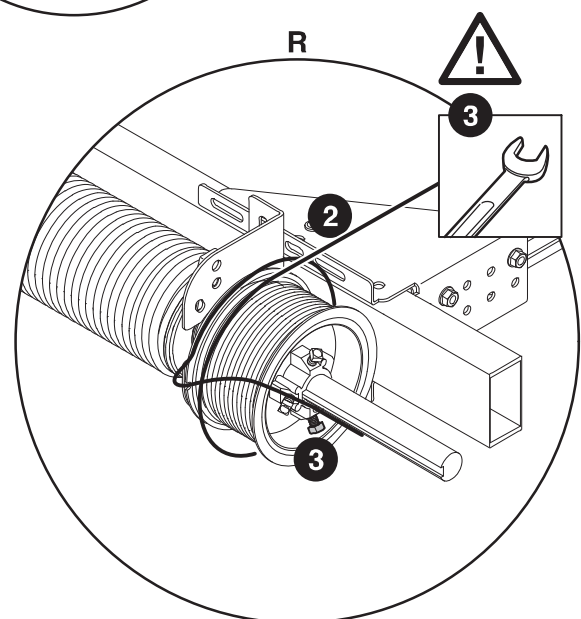
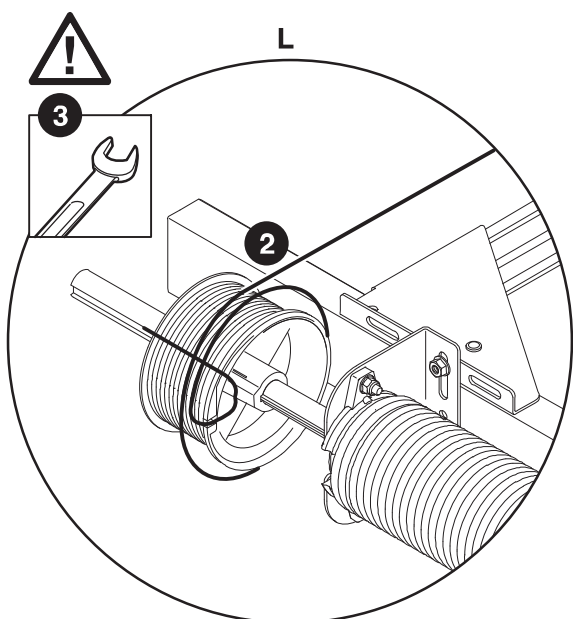
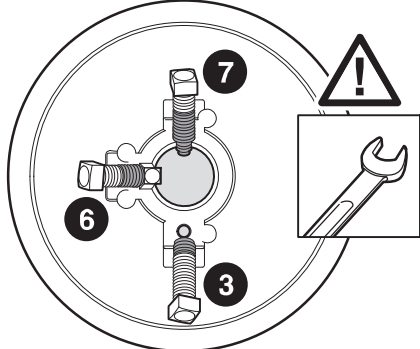
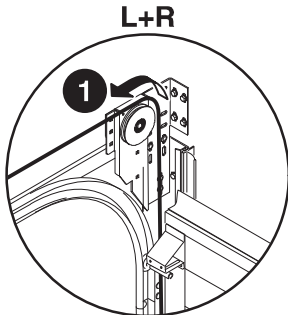
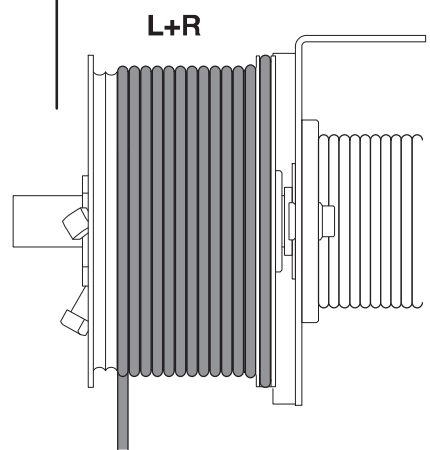
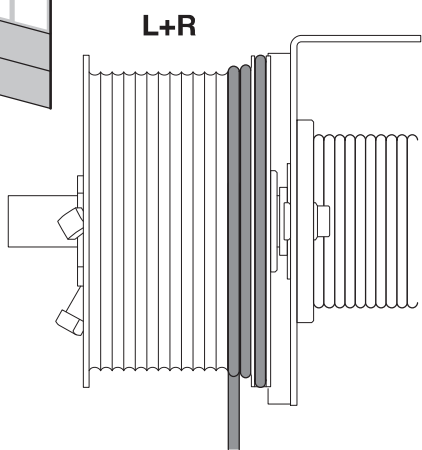
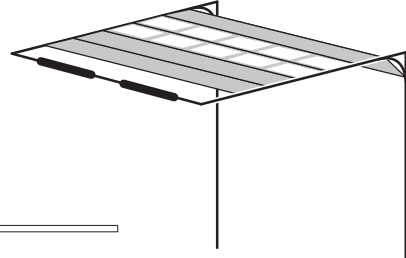
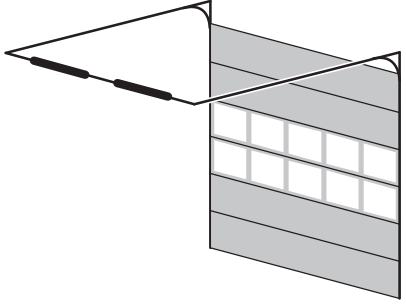
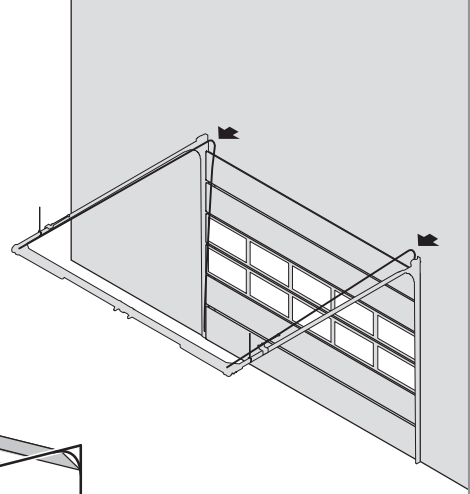
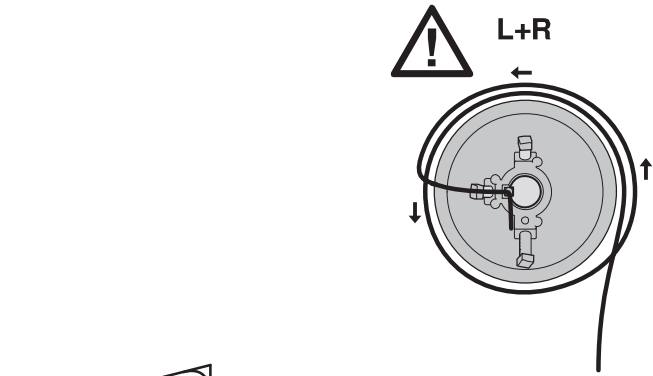




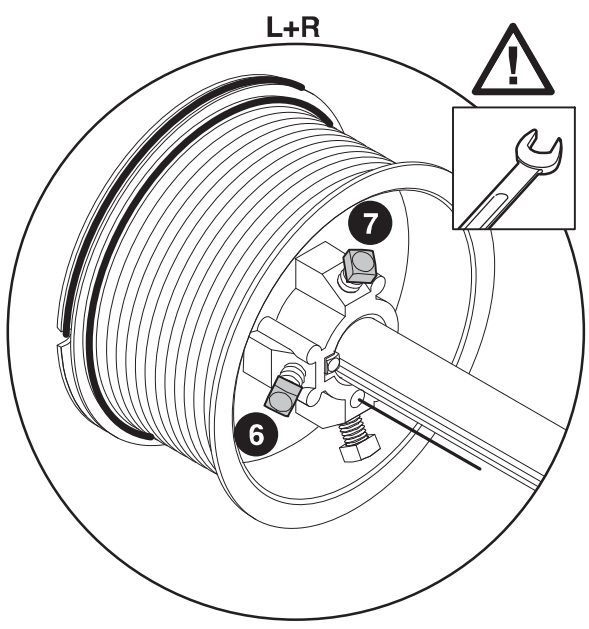
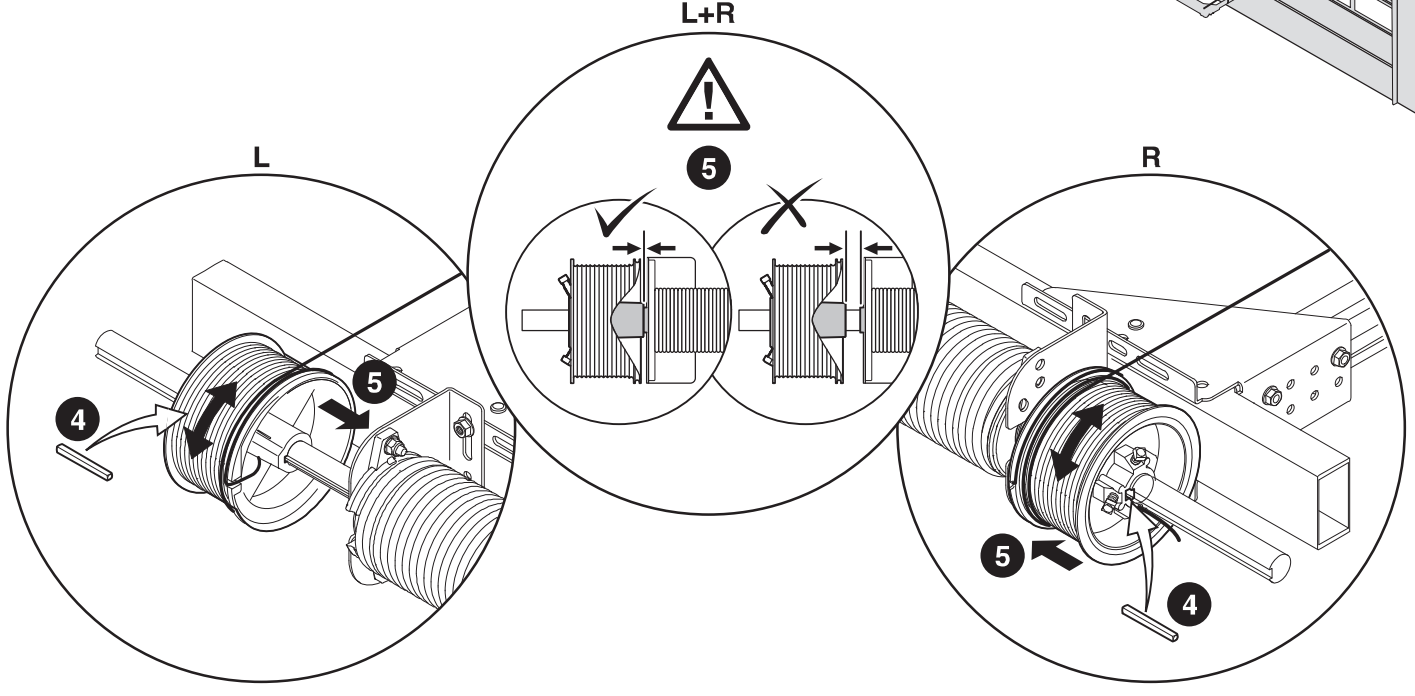
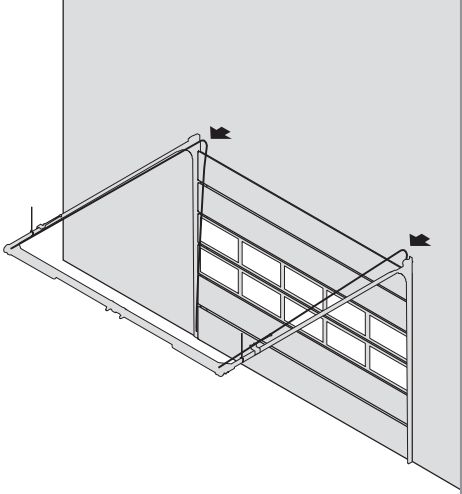


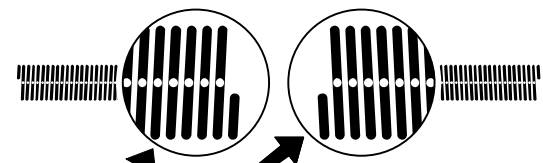




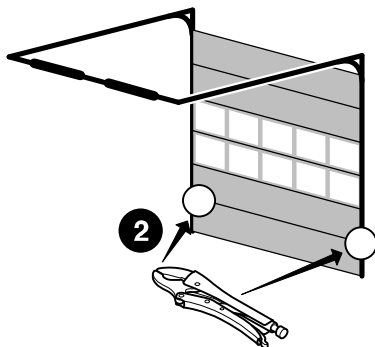






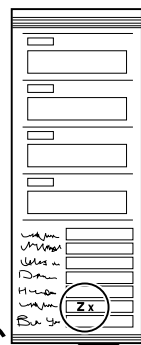


1

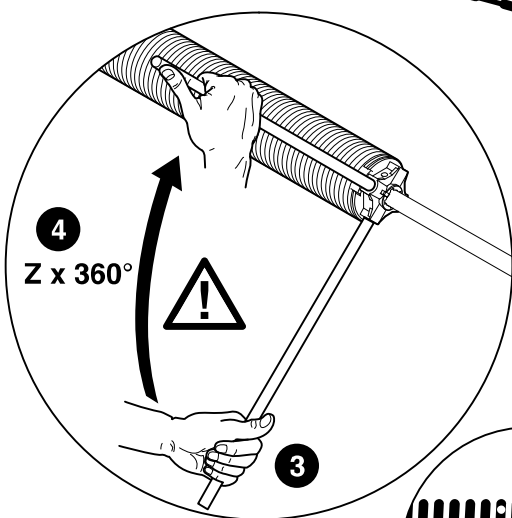
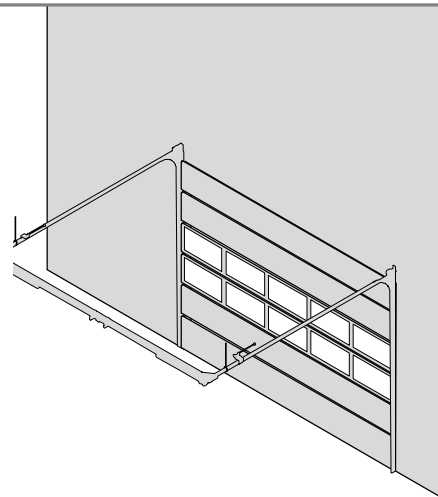


2

3



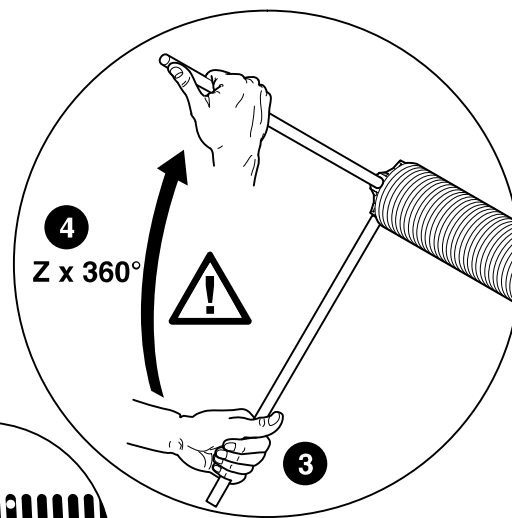
Z x 360°



4

Z x 360°

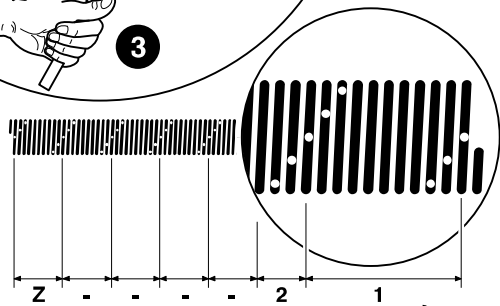
3



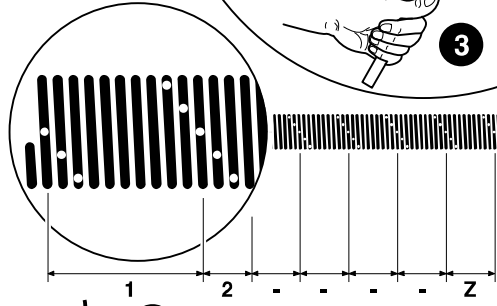
4

Z x 360°

3

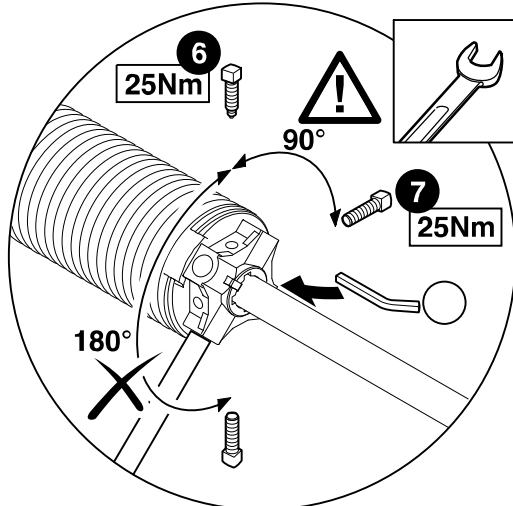


5



5

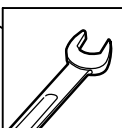
L+R



6

25Nm

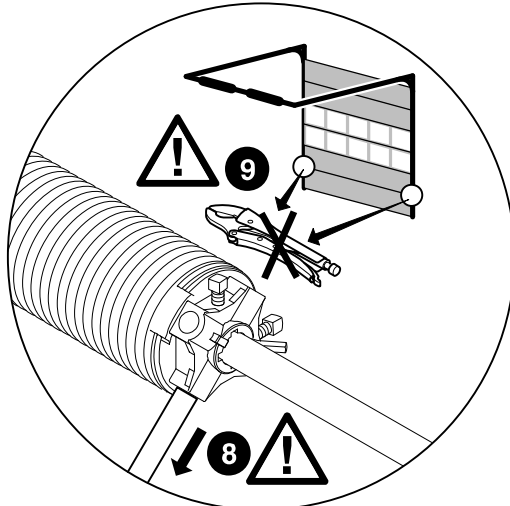
90°



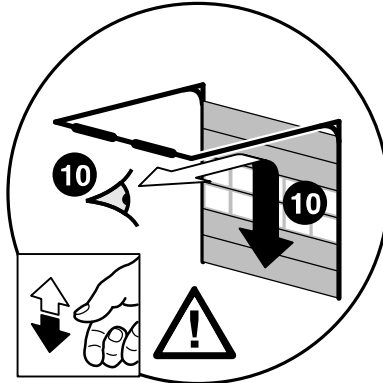
7

25Nm

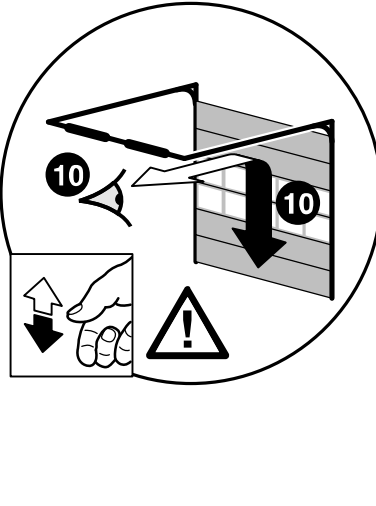
180°



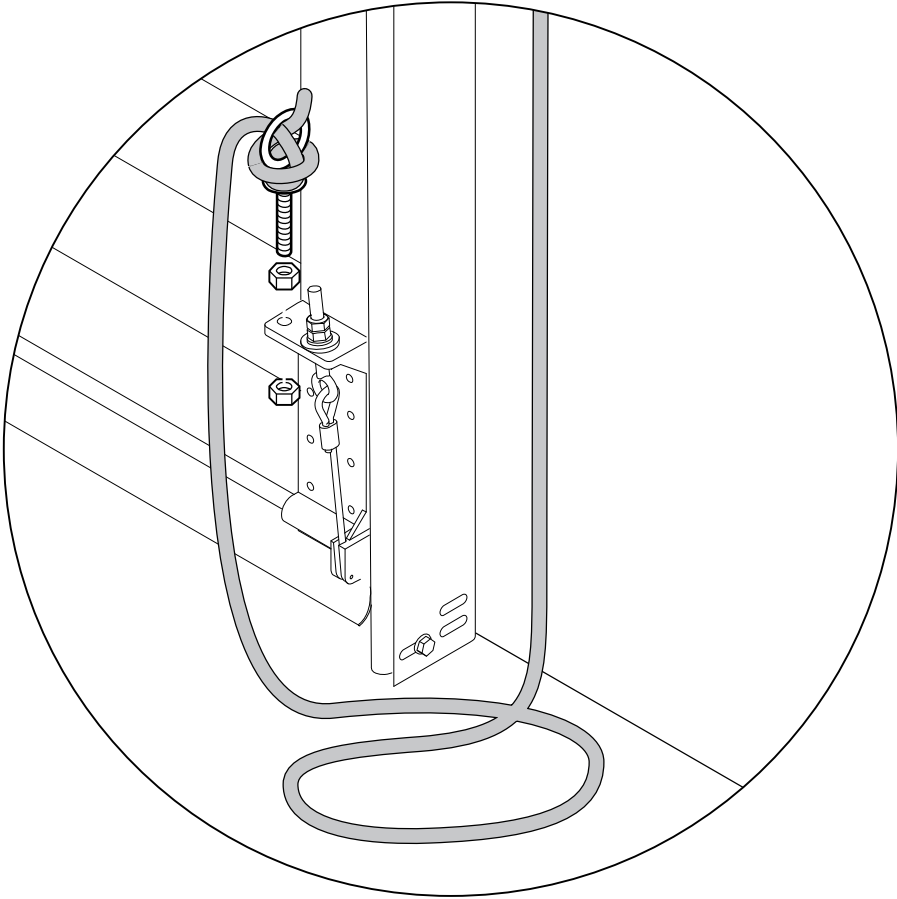
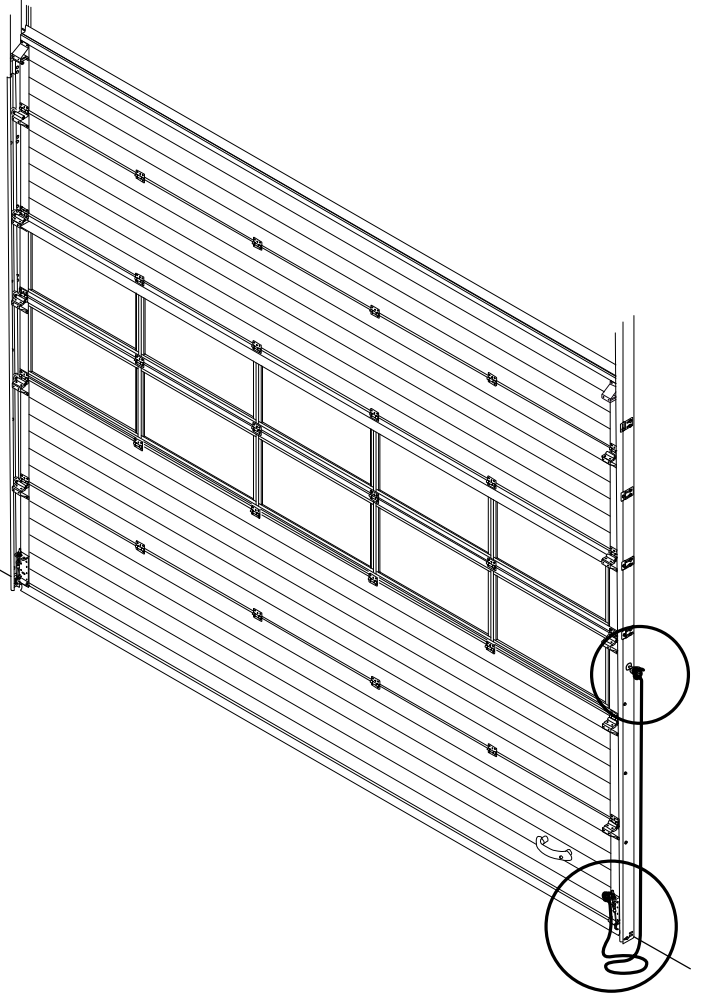
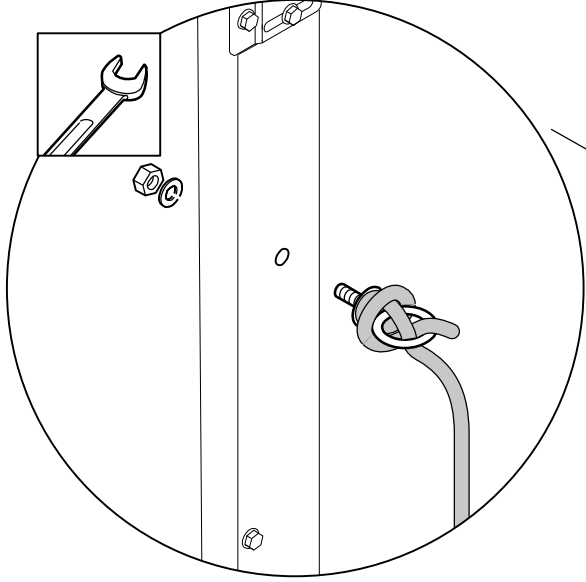
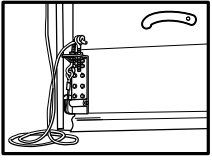
8

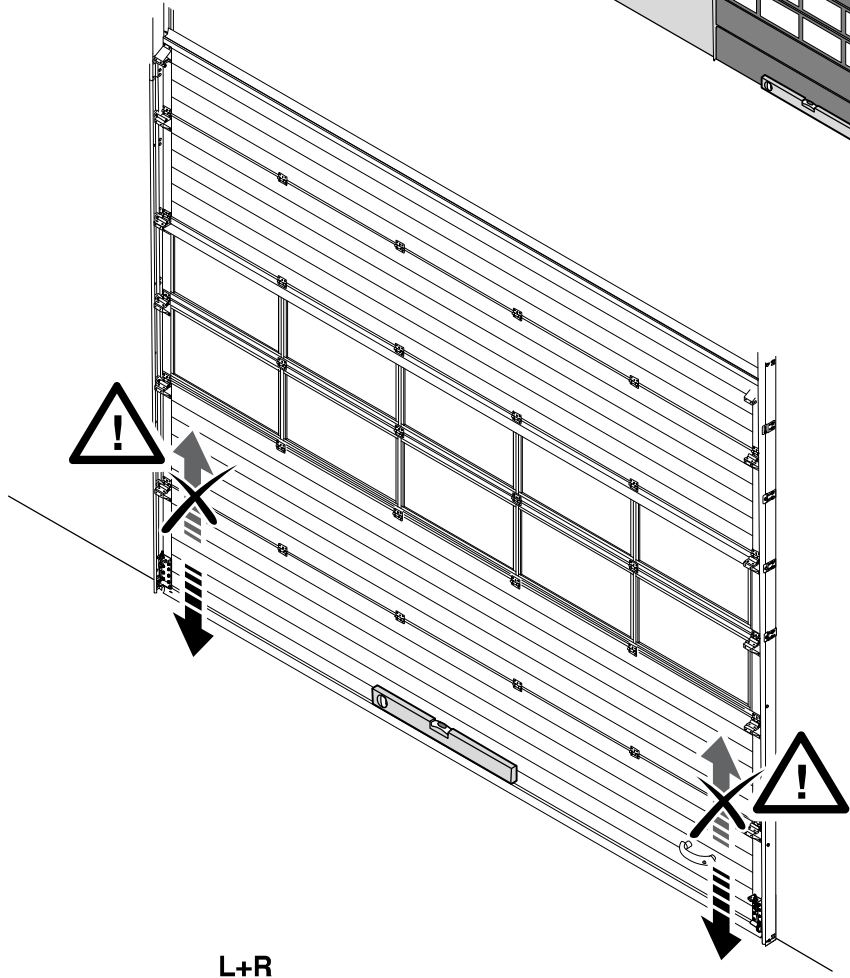
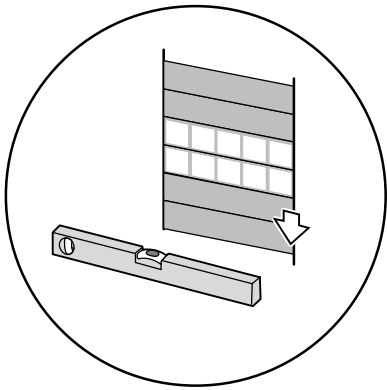
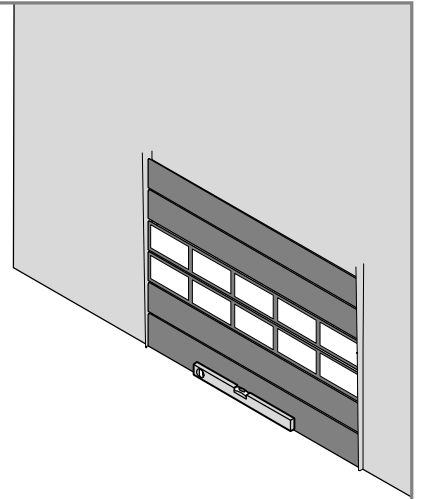
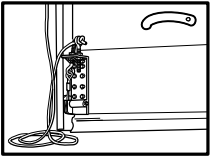
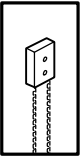


9

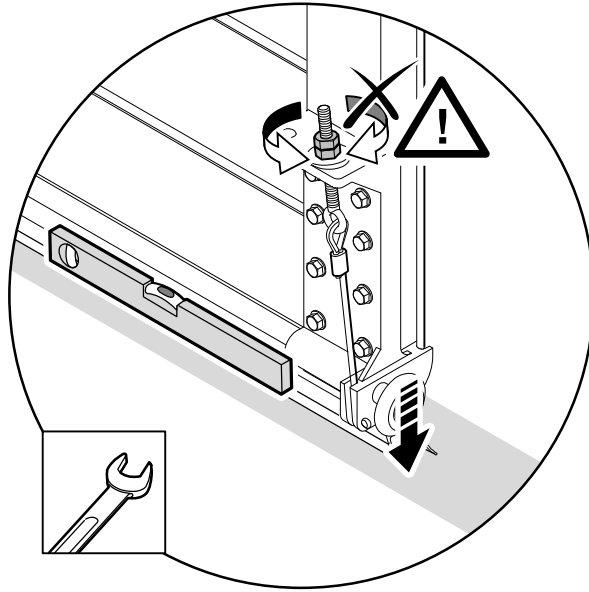


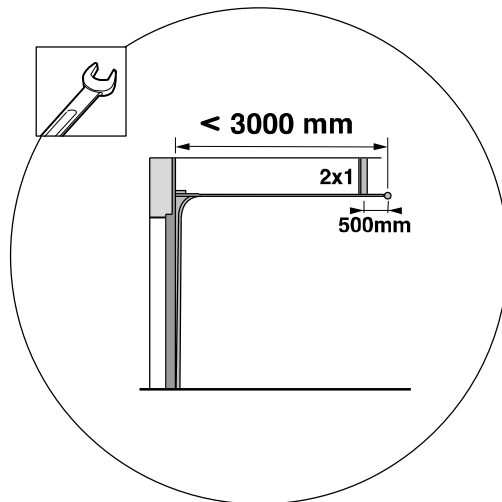
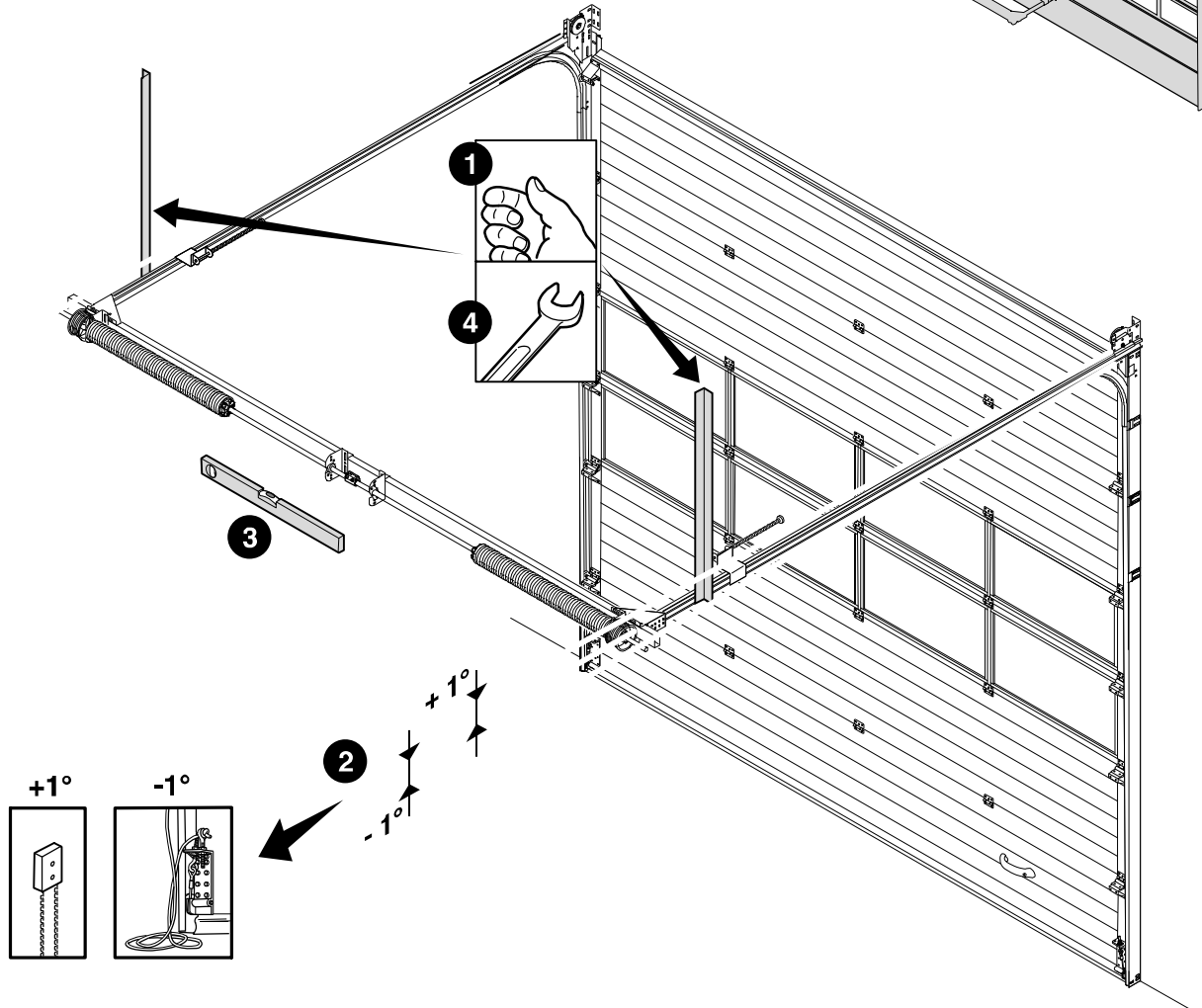
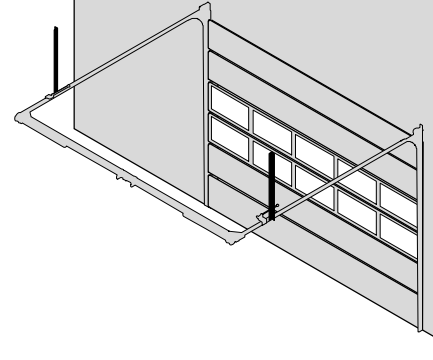
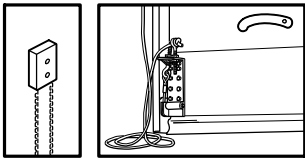
10

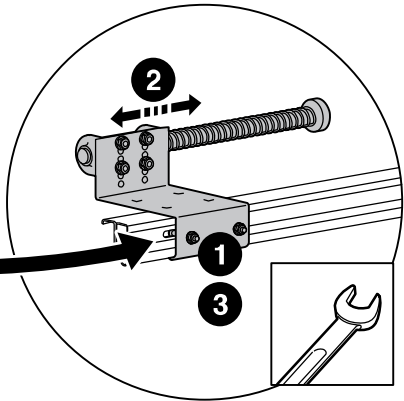
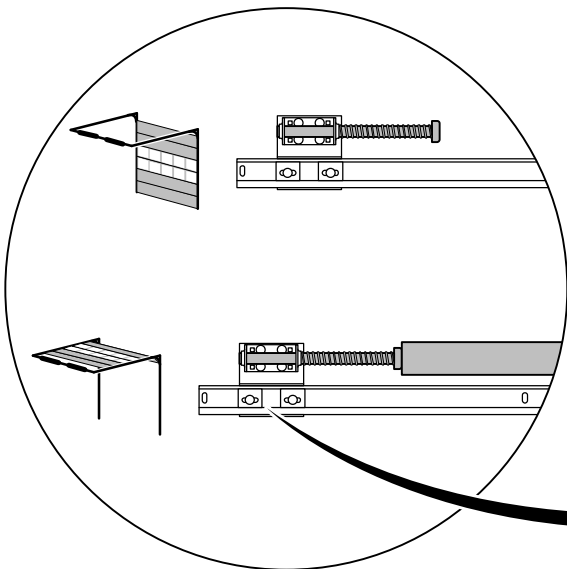
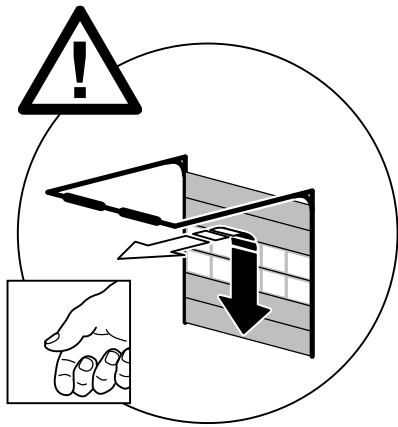
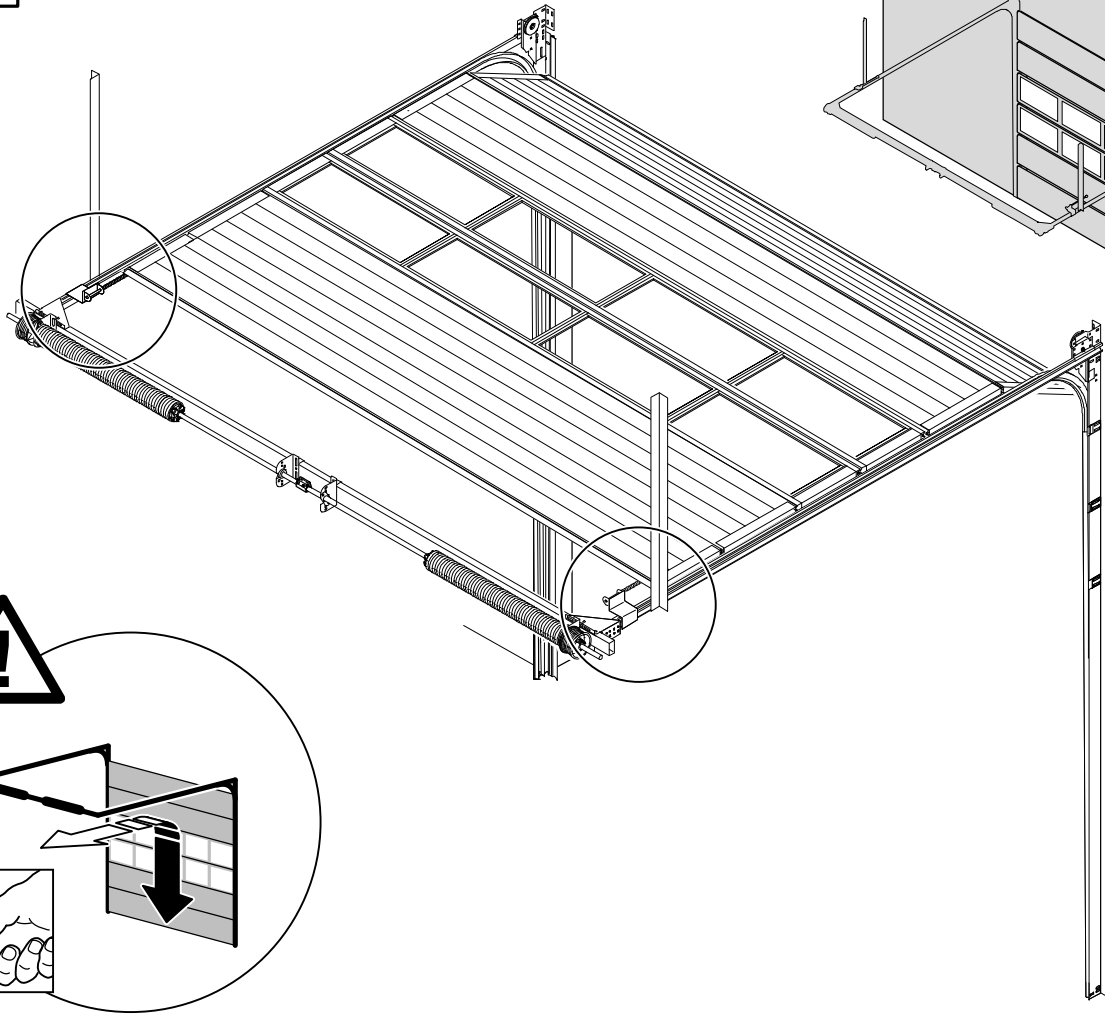
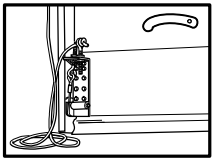


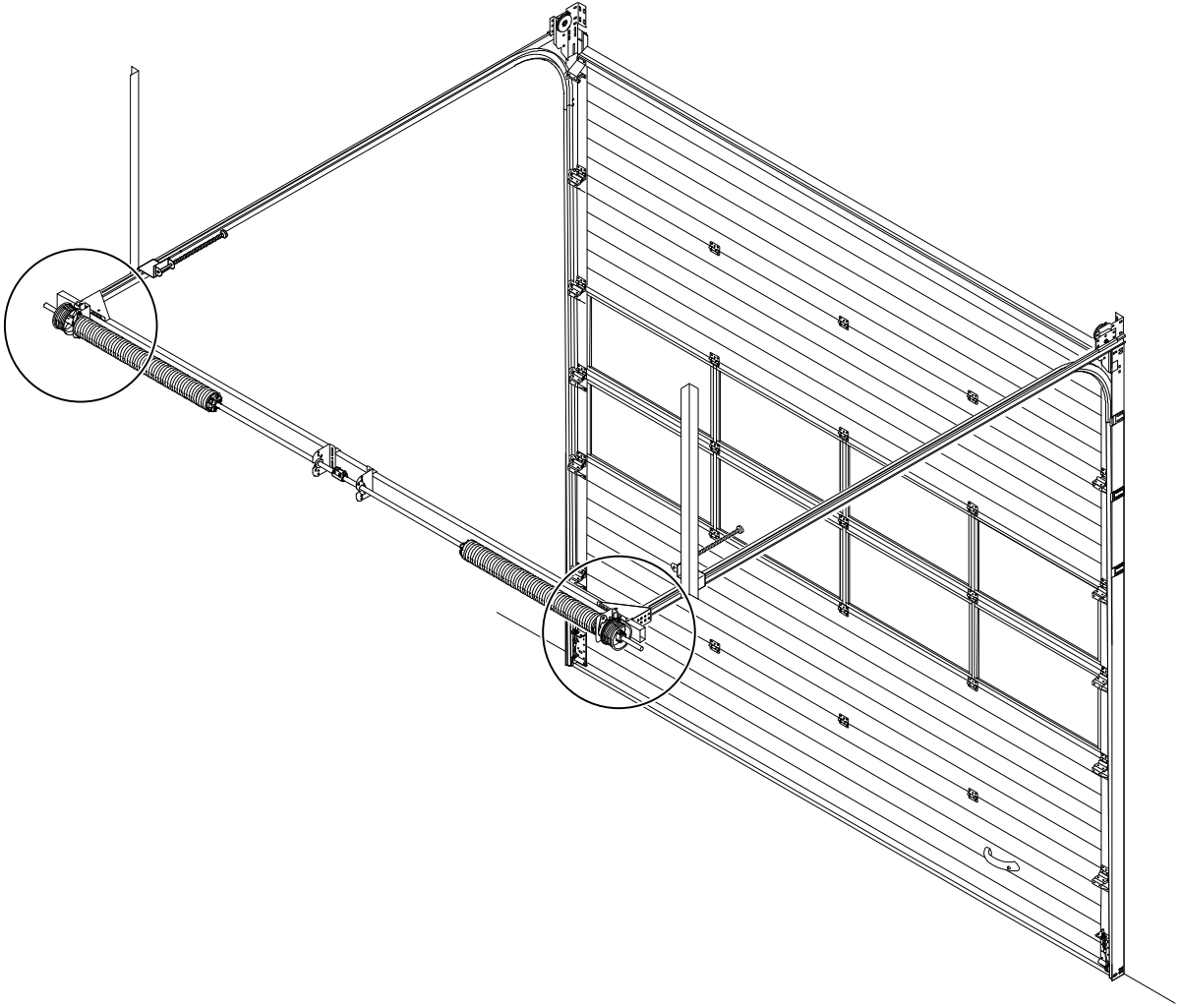
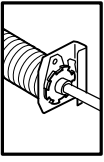


L+R

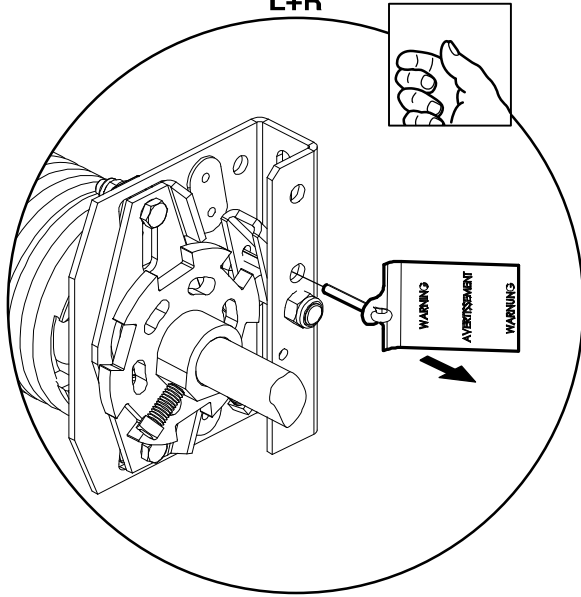








L+R







© Copyright Novoferm Nederland B.V.

This manual was prepared and issued by Novoferm Nederland B.V. the Netherlands. It is supplied to approved agents of Novoferm Nederland B.V. All rights are reserved. The information in this document is the property of Novoferm Nederland B.V., the Netherlands. Disclosure of this information or any part of it to third parties is prohibited, except with prior and express written permission of Novoferm Nederland B.V., the Netherlands.