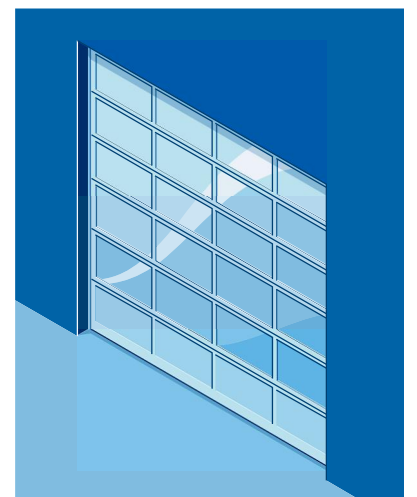
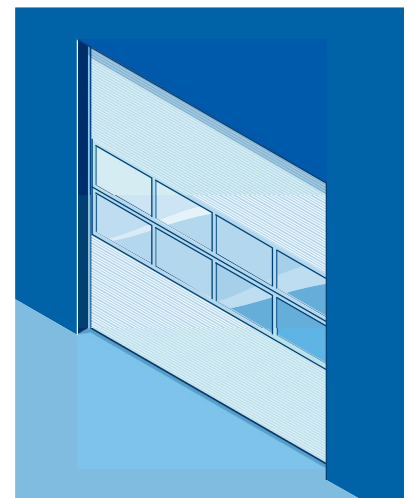
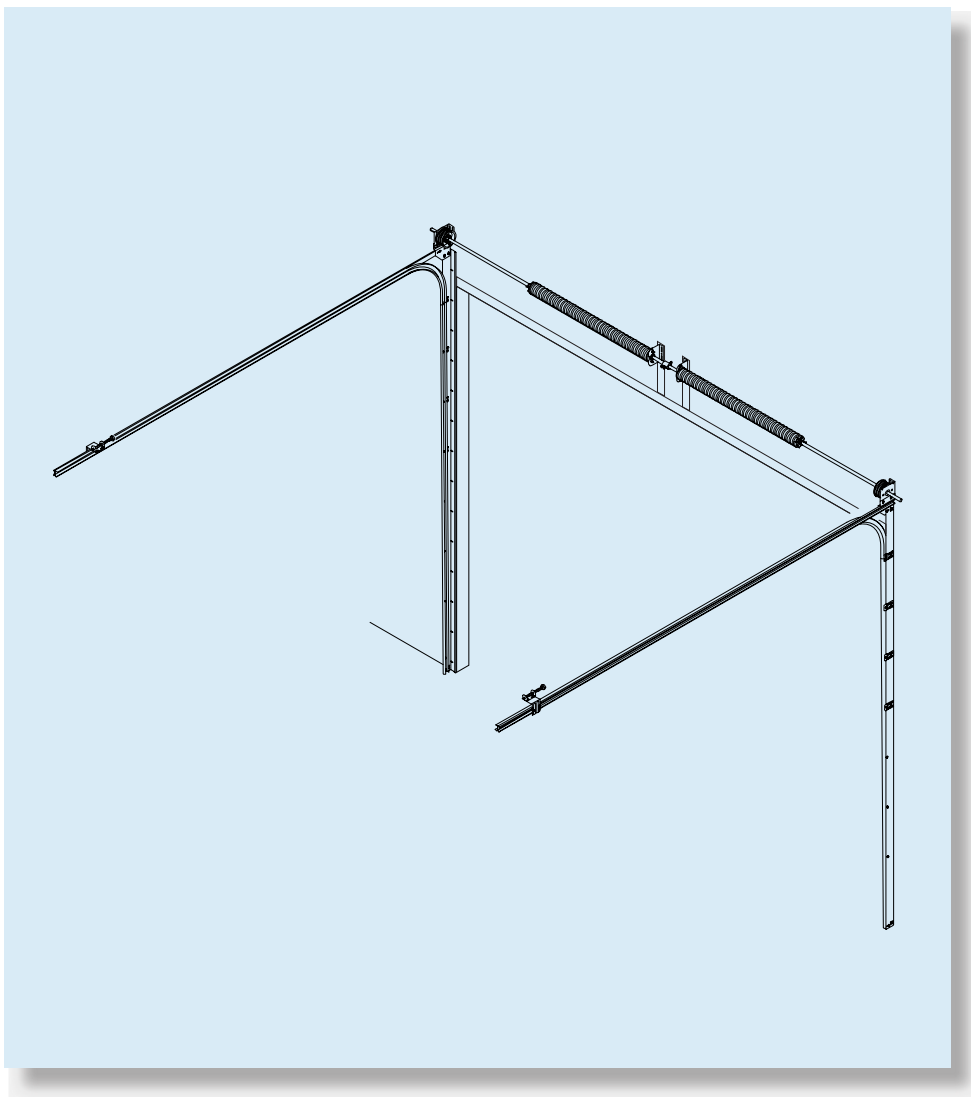
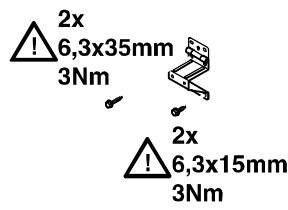
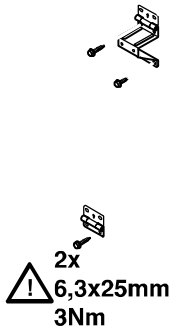
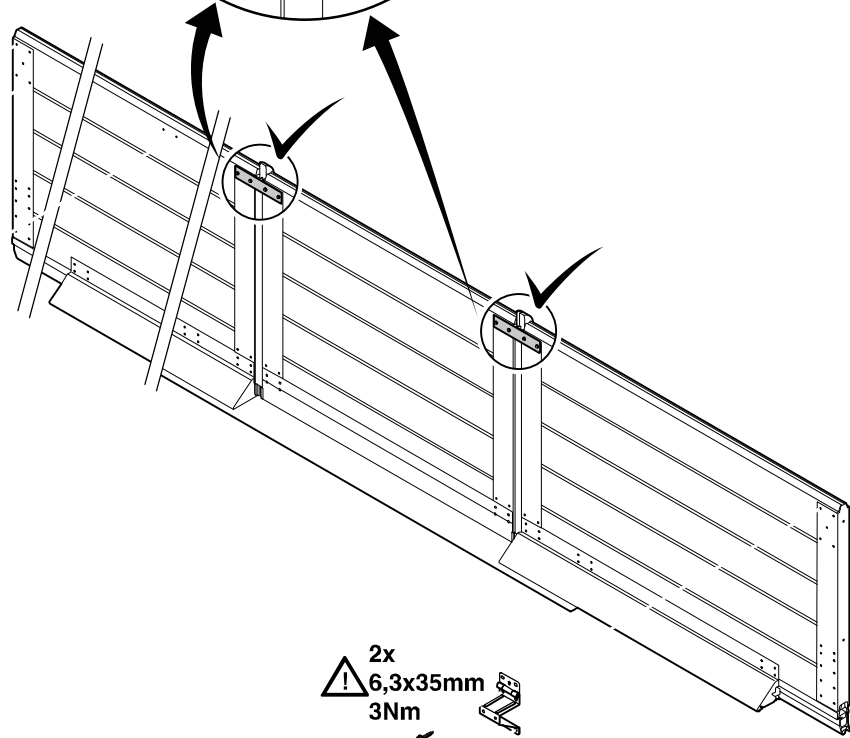
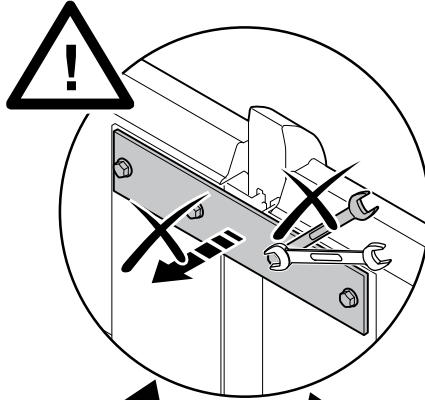
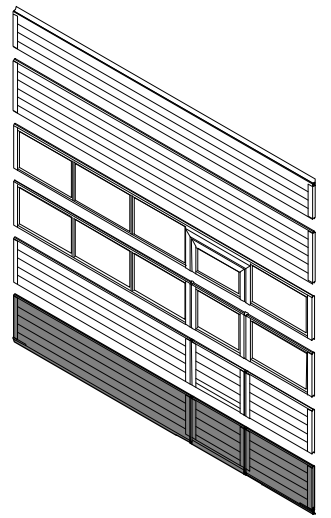
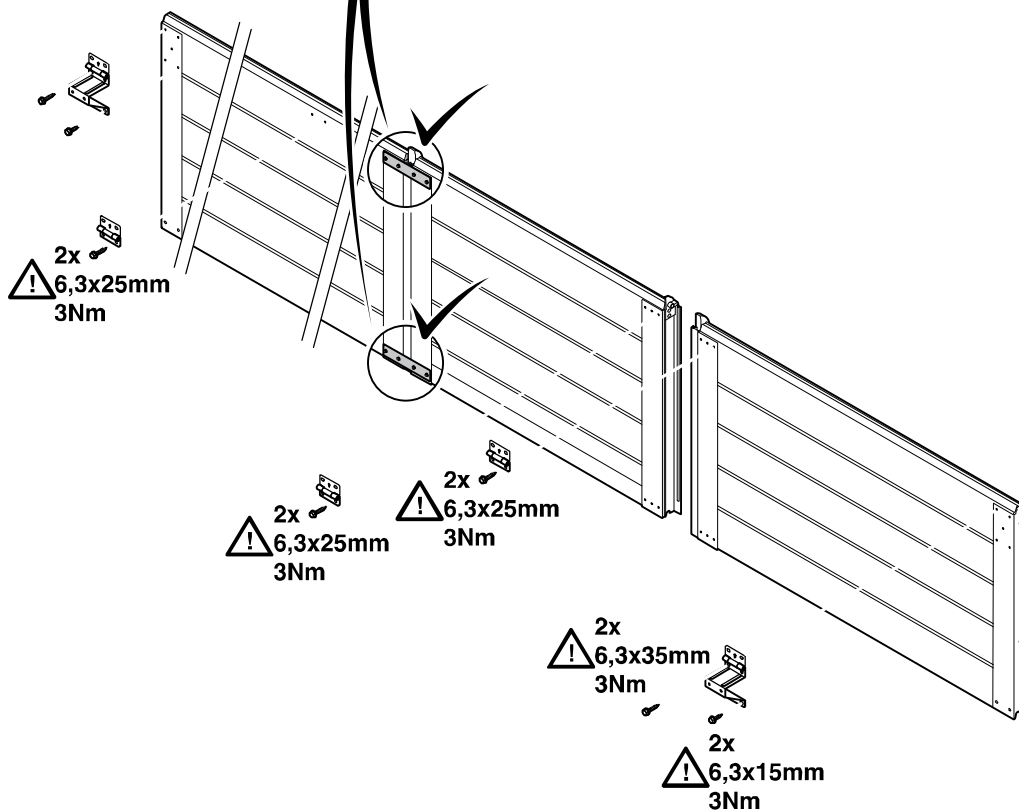
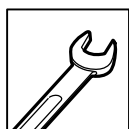
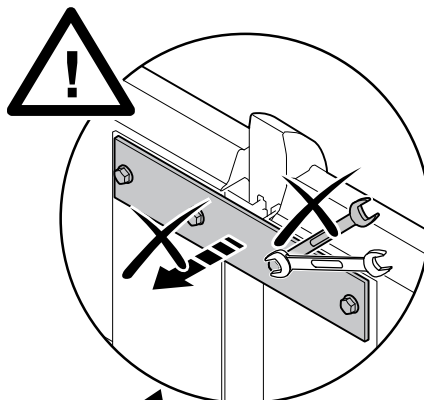
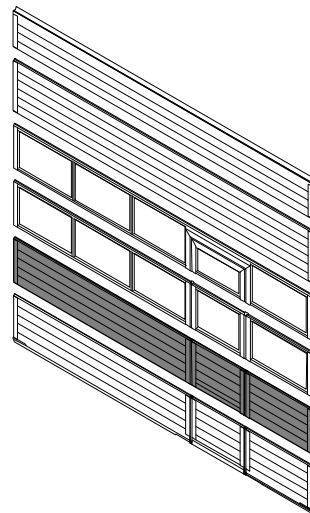
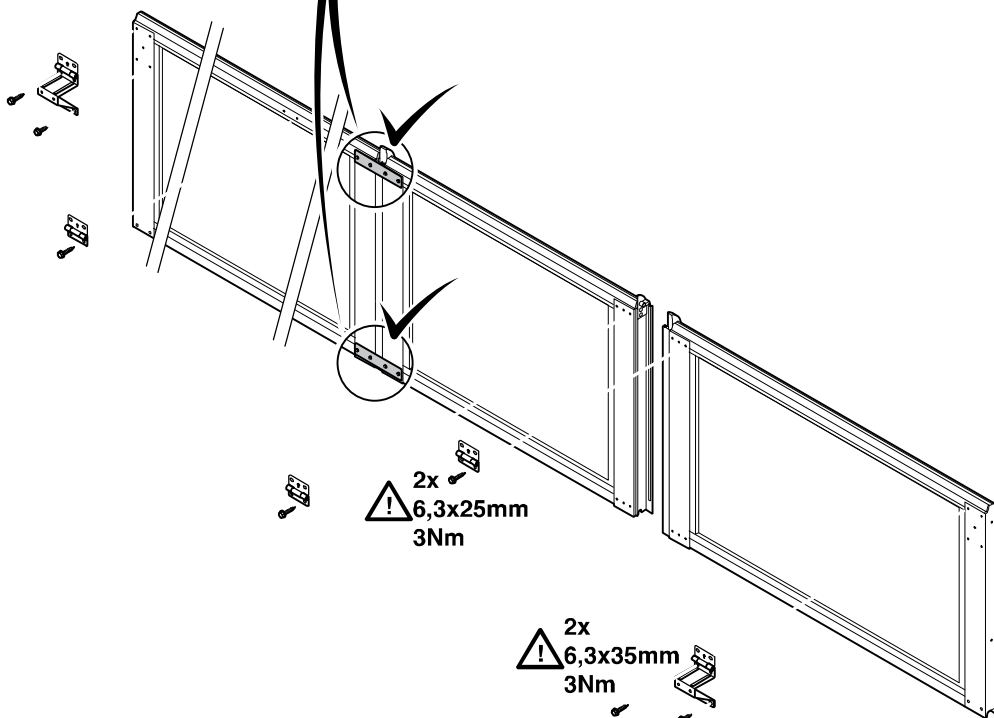
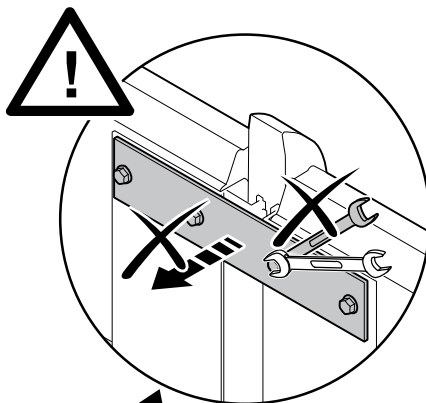
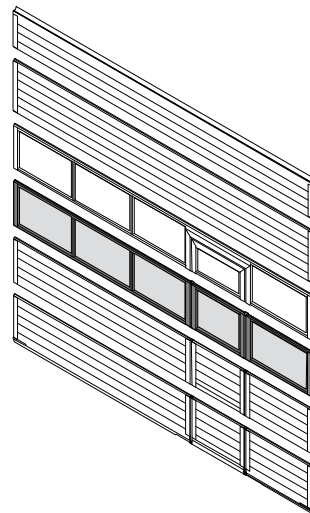


# Turner 40/60 K yntiovella





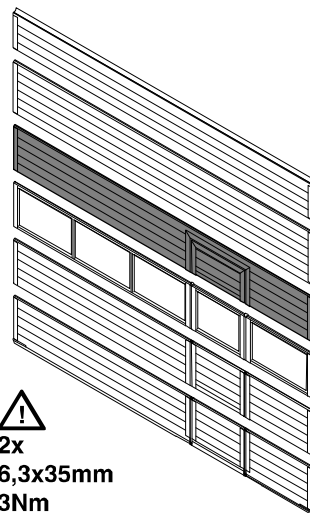
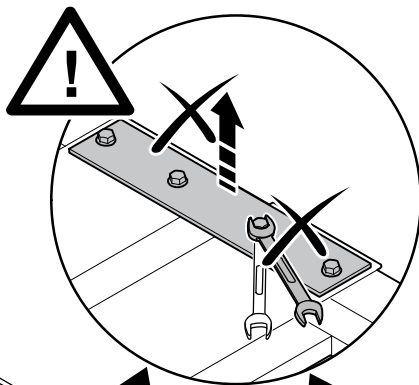




2x  
⚠ 6,3x25mm  
3Nm

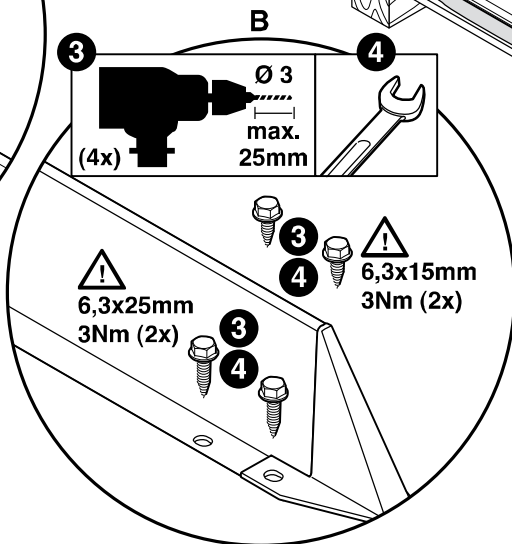
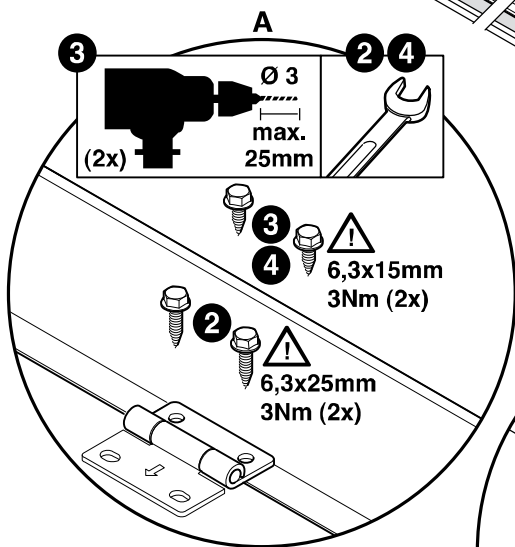
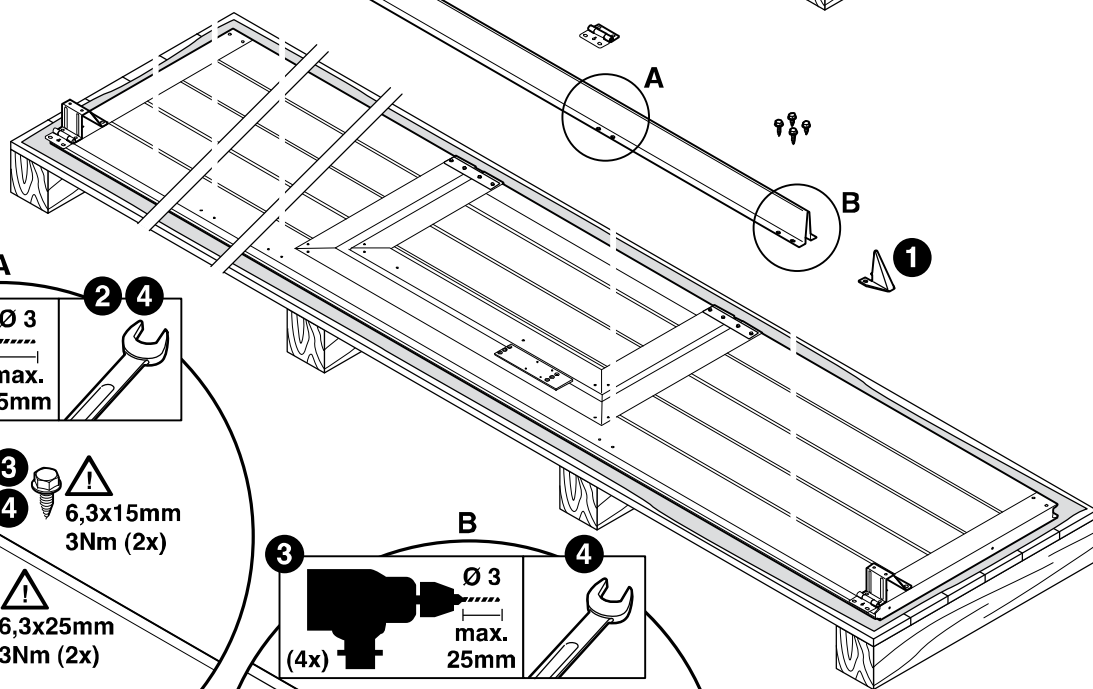
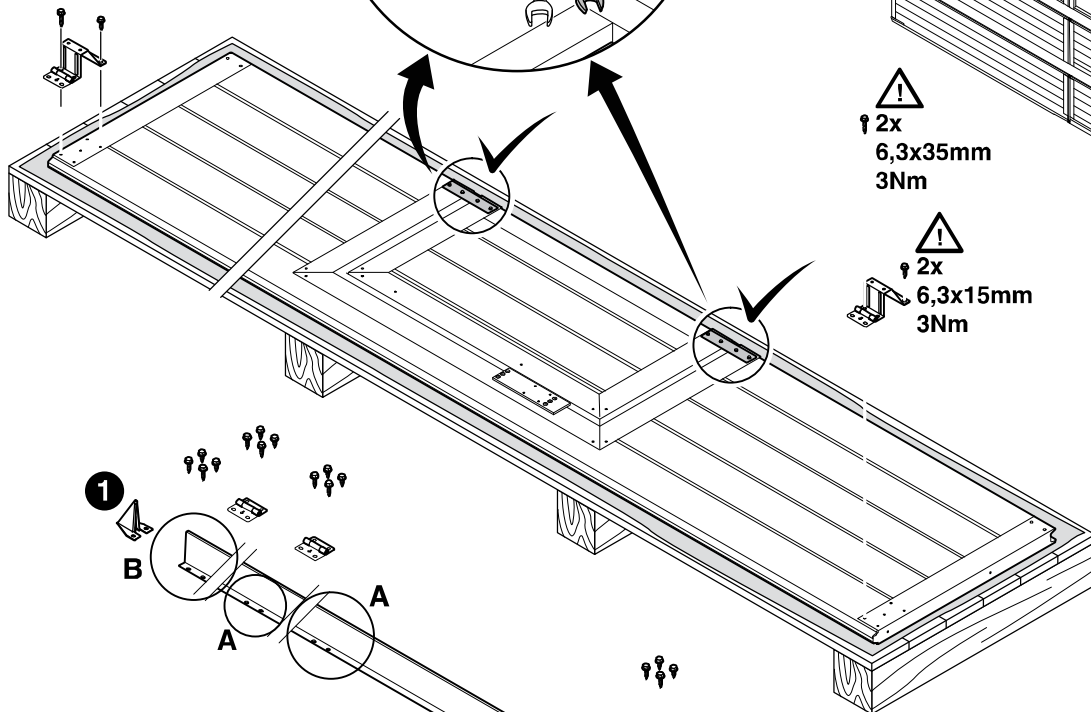
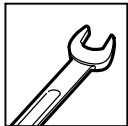
2x  
⚠ 6,3x35mm  
3Nm

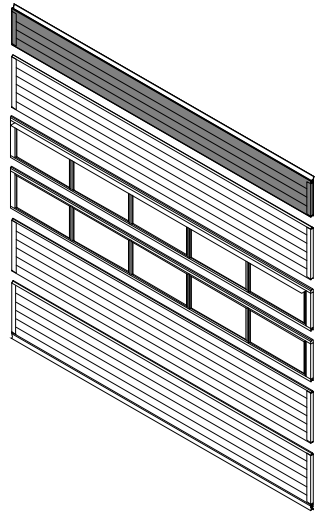
2x  
⚠ 6,3x15mm  
3Nm



⚠  
 2x  
 6,3x35mm  
 3Nm

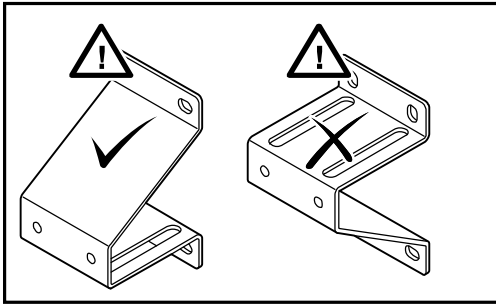
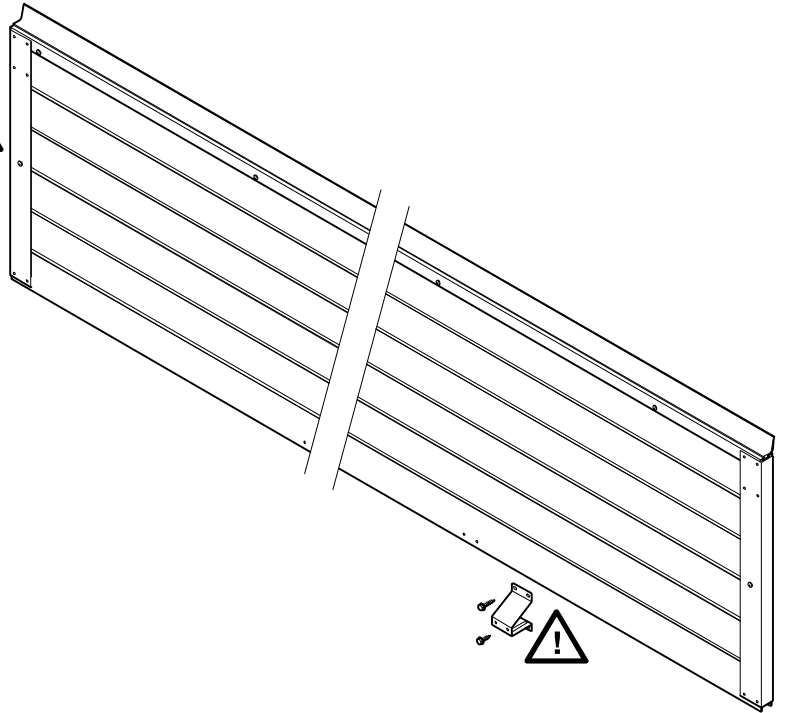
⚠  
 2x  
 6,3x15mm  
 3Nm





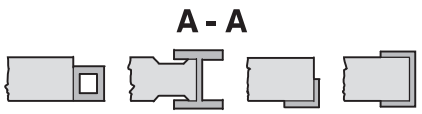
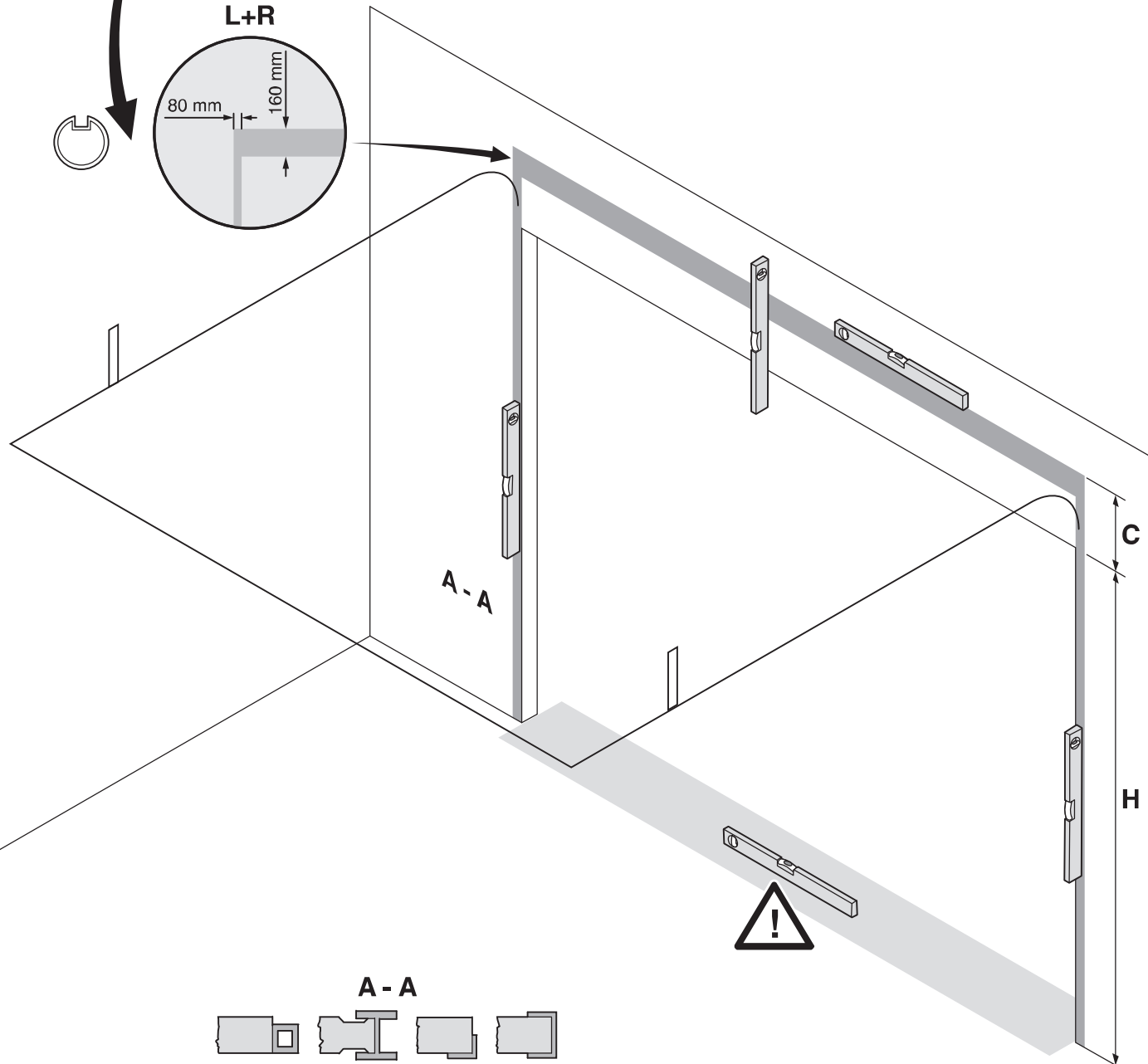
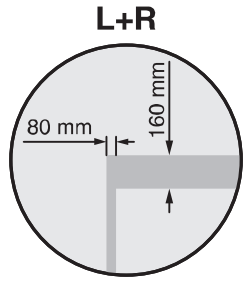
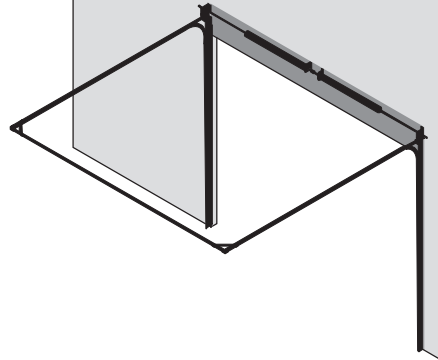
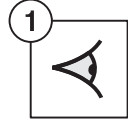
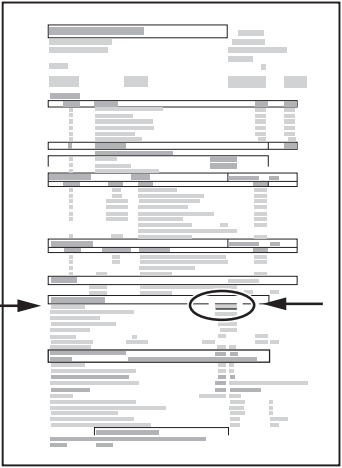
2x  
! 6,3x35mm  
3Nm

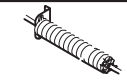
2x  
! 6,3x15mm  
3Nm



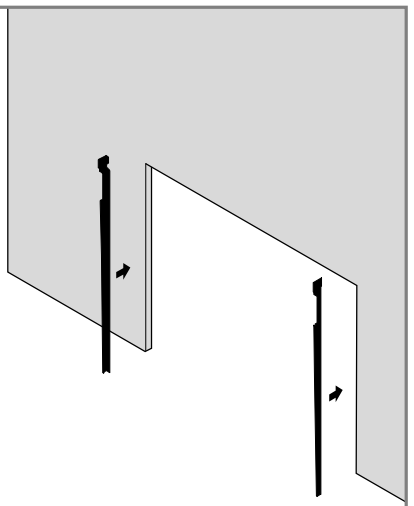
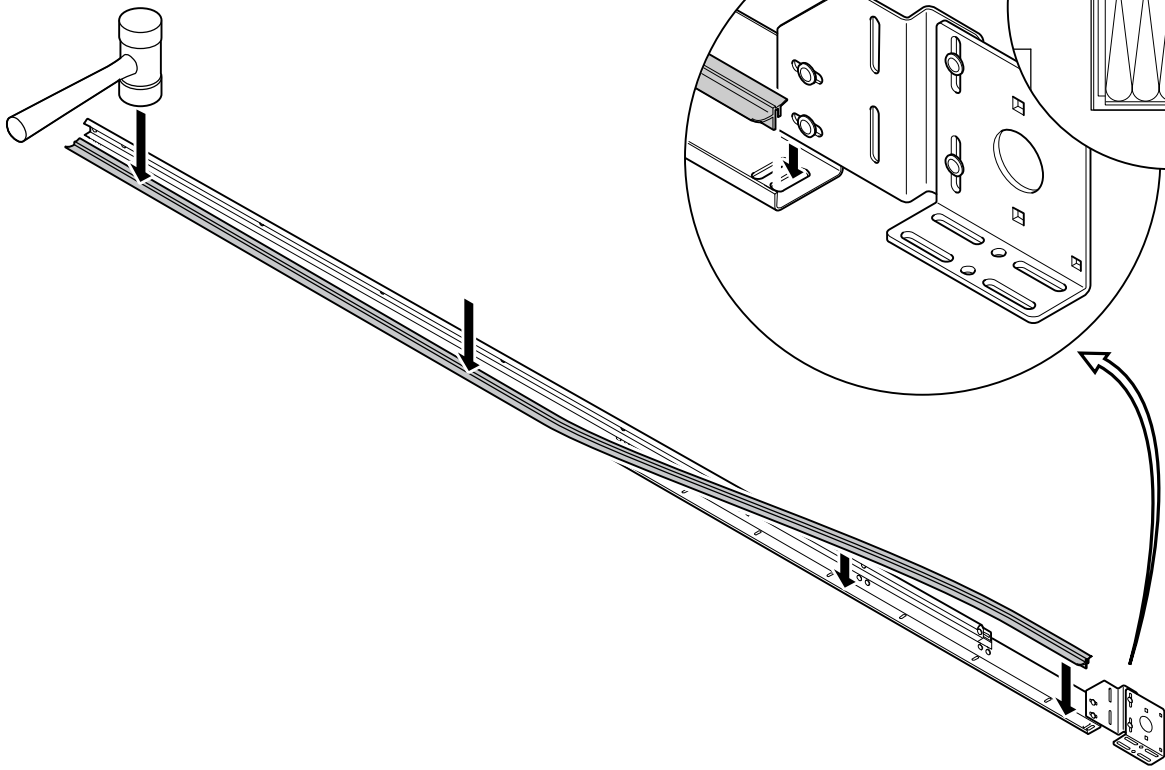
**Informations sur Contrôle des Paquets et sur l'Emballage**  
**Informations pour contrôle colis et montage de la porte**  
**Information for checking the door package and for door fitting**

- 1. Überprüfen Sie die Qualität der Verpackung**  
**1. Check the quality of the packaging**  
**1. Vérifier la qualité de l'emballage**
- 2. Überprüfen Sie die Montageanleitung**  
**2. Check the installation manual**  
**2. Vérifier le manuel de montage**
- 3. Nach dem Einbau des Fensters prüfen**  
**3. After installation of the window check**  
**3. Après l'installation du châssis vérifier**
- 4. Nach dem Einbau des Fensters prüfen**  
**4. After installation of the window check**  
**4. Après l'installation du châssis vérifier**

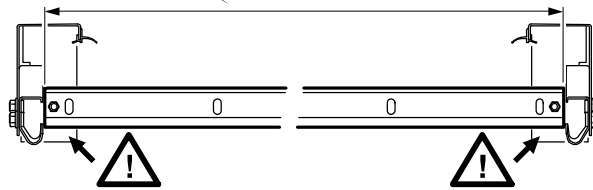
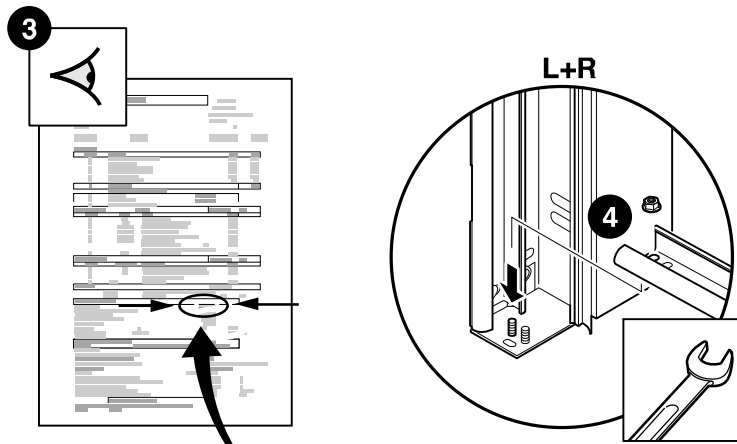
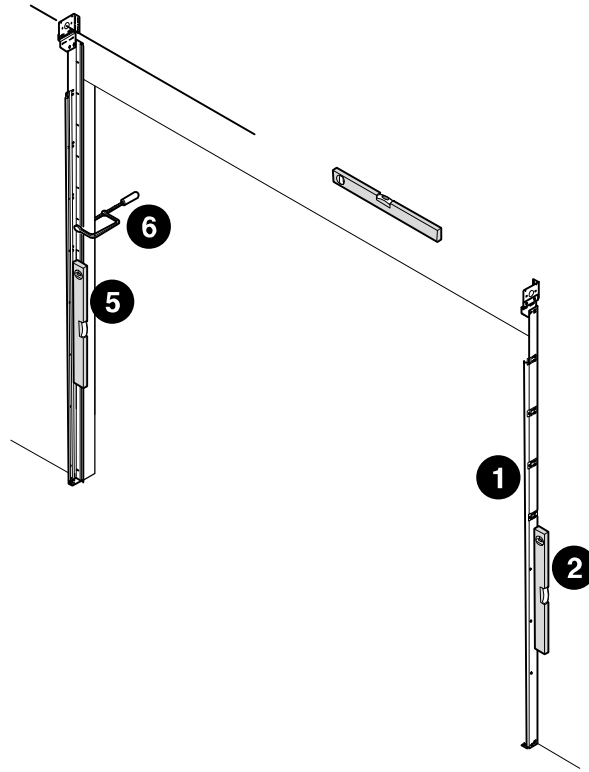
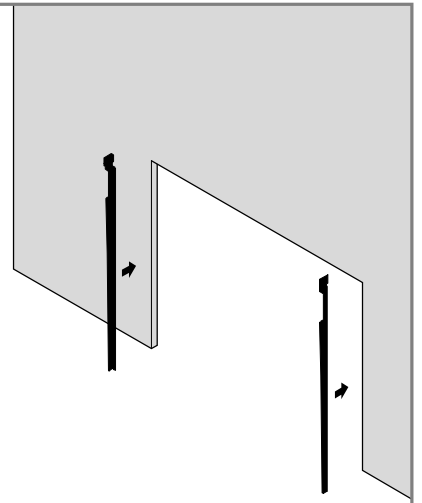
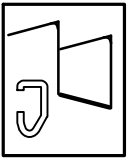


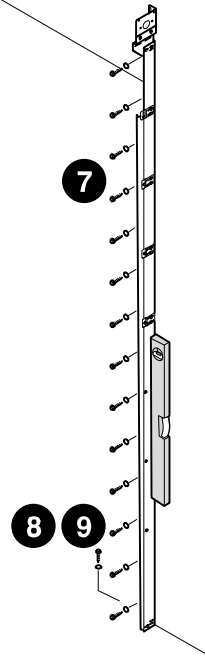
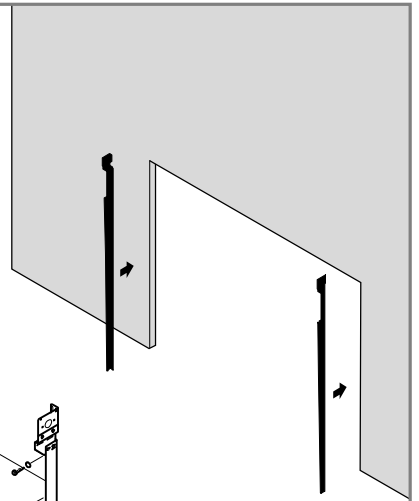
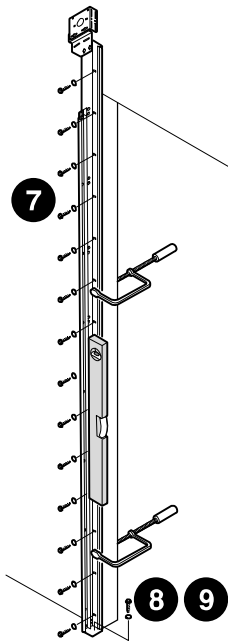
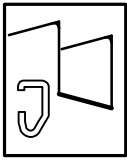
H		C
H < 5500 mm	∅ 95,4 mm	430 mm
H < 5500 mm	∅ 152,4 mm	460 mm
H > 5500 mm	-	500 mm

L+R

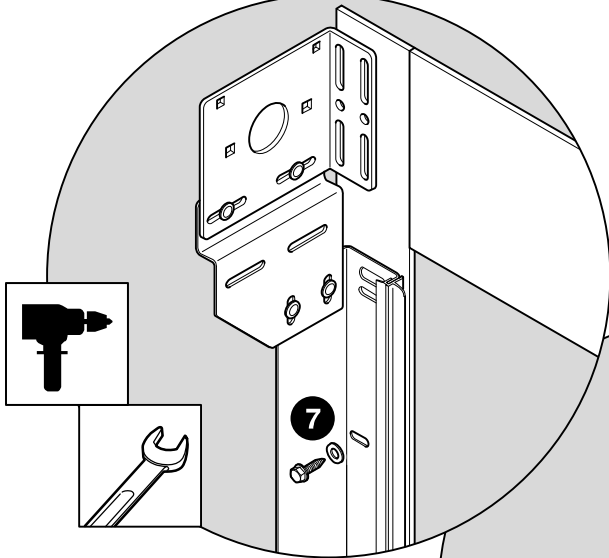




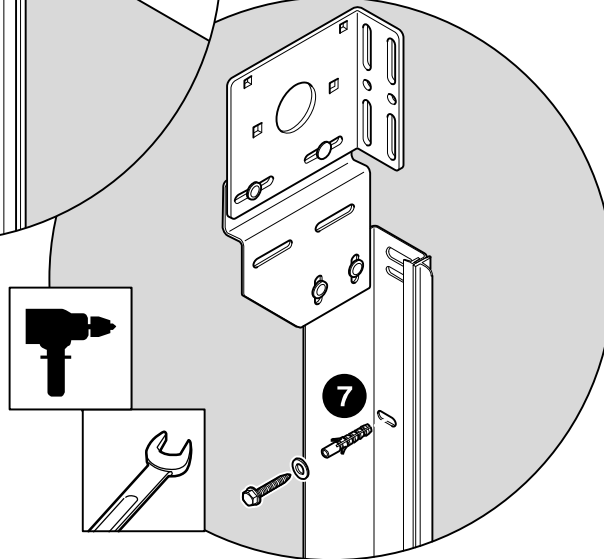




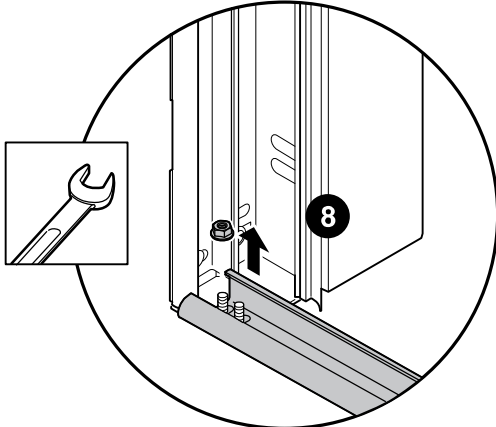
L+R



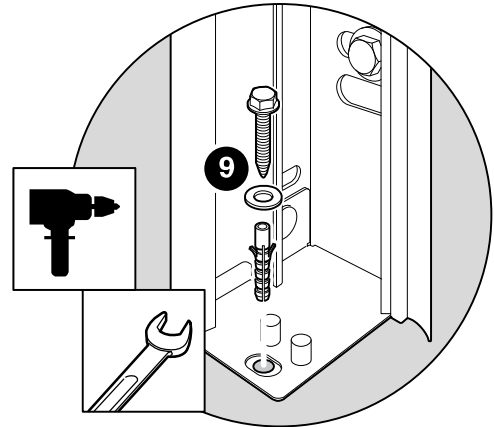
L+R

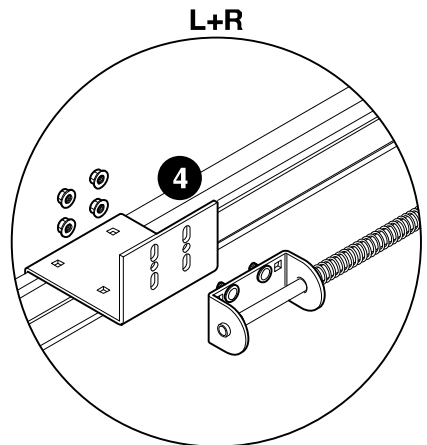
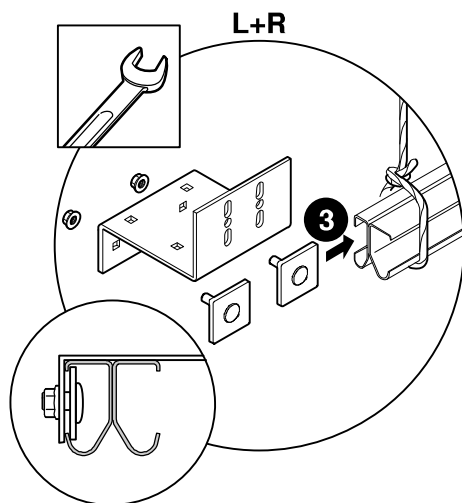
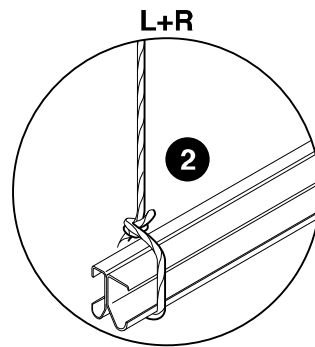
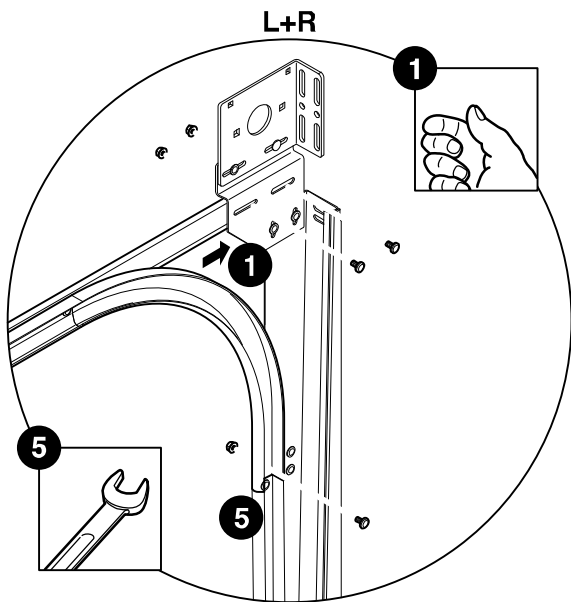
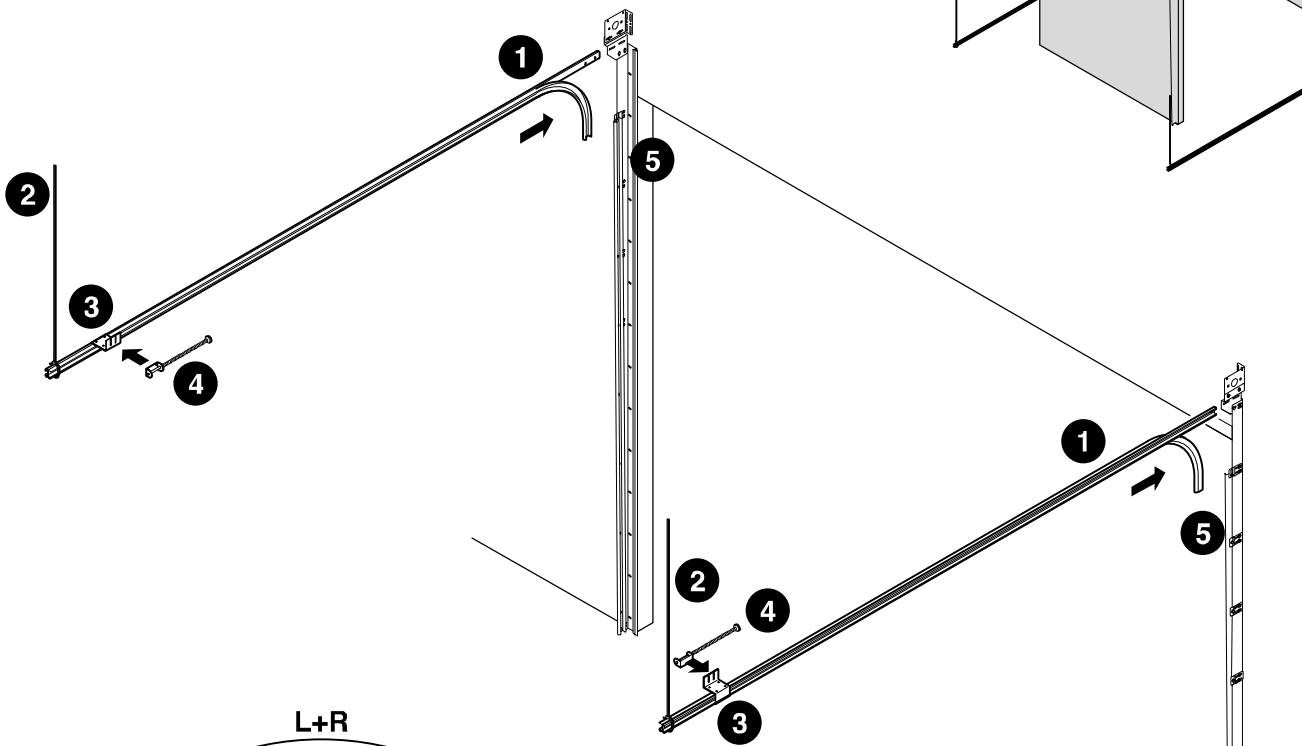
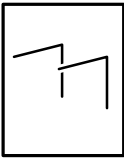


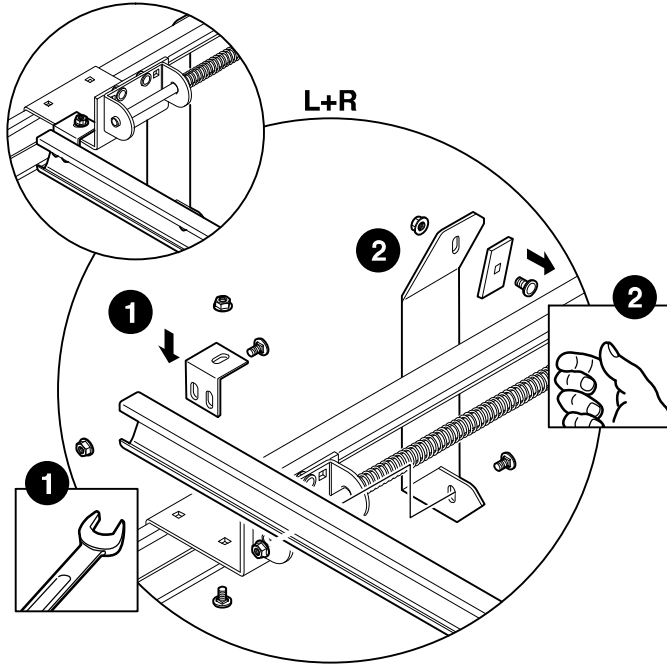
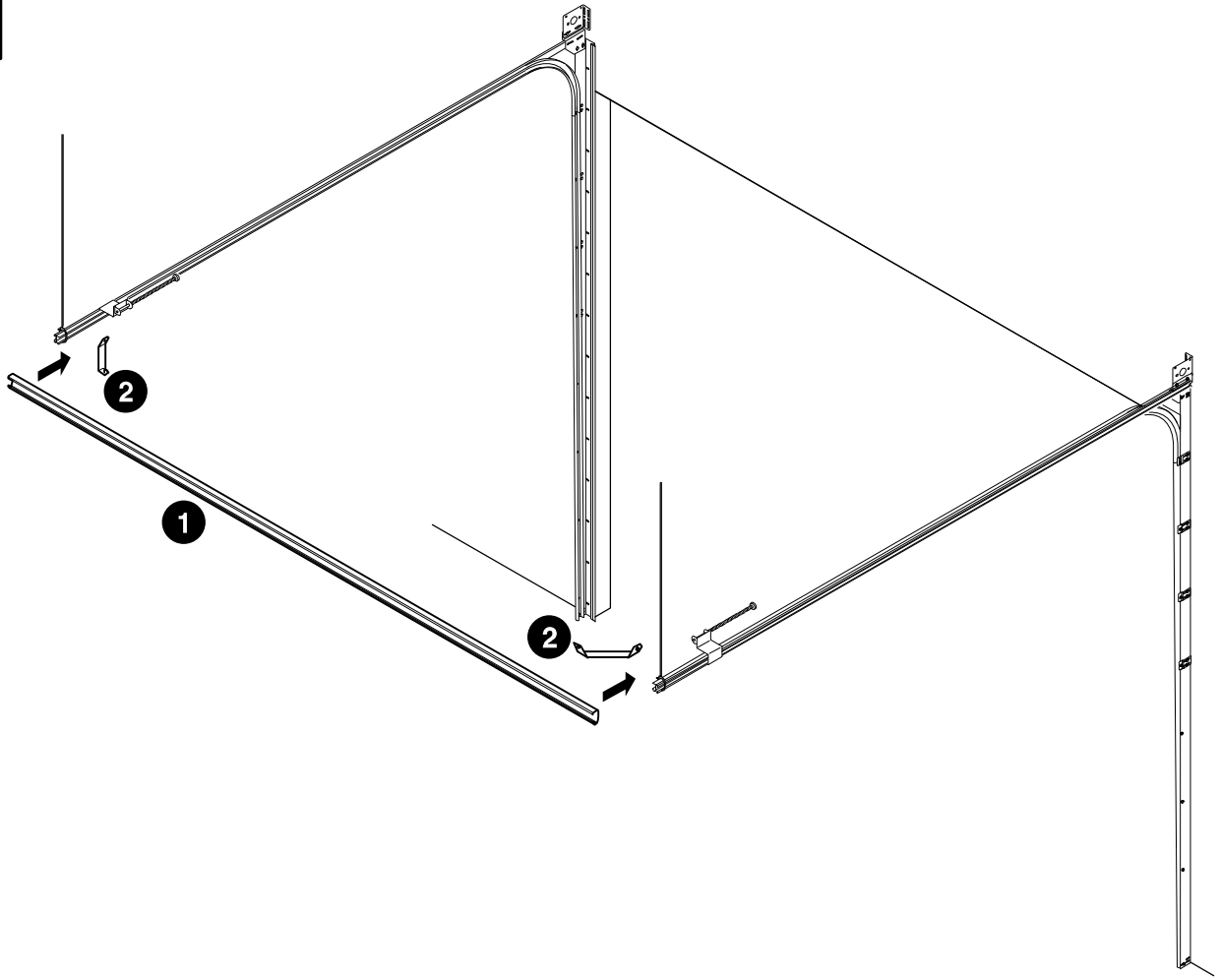
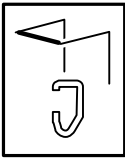
L+R

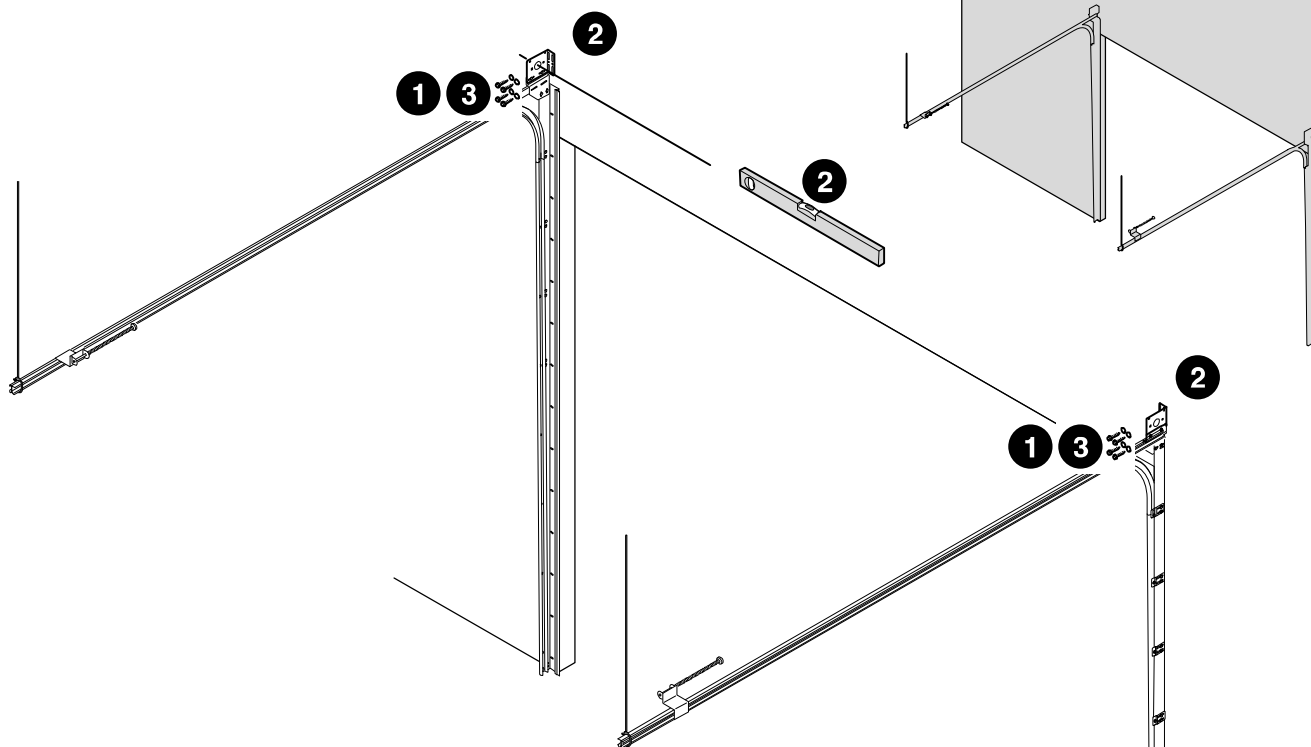


L+R



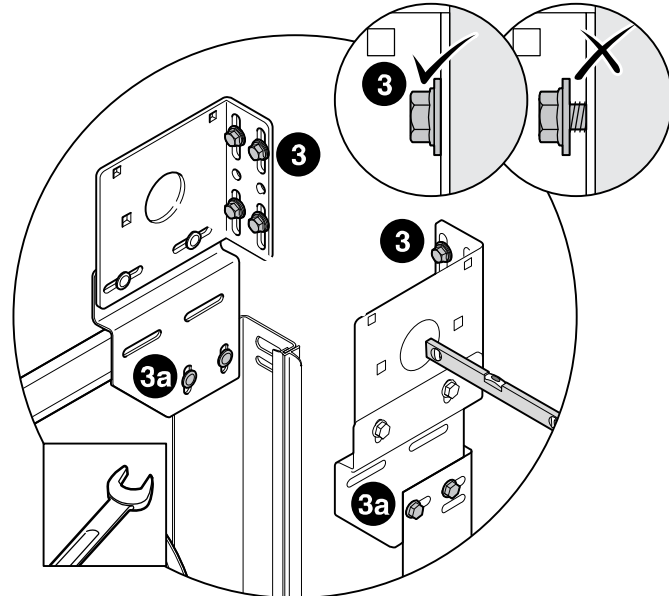
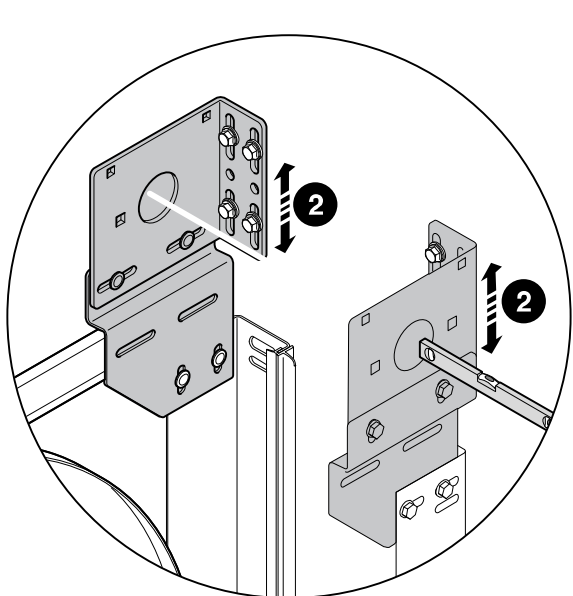
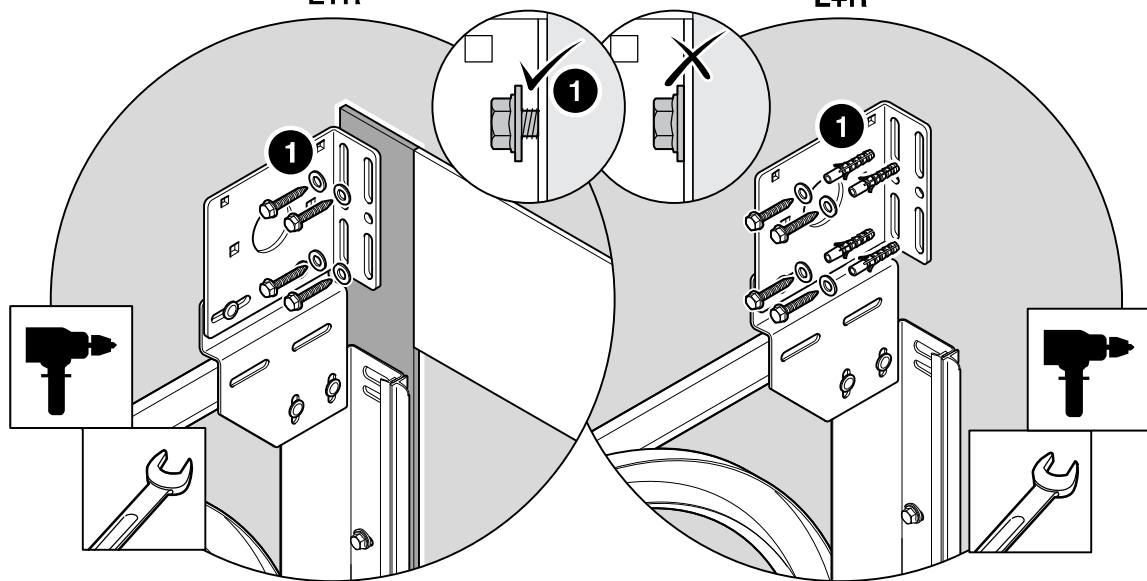


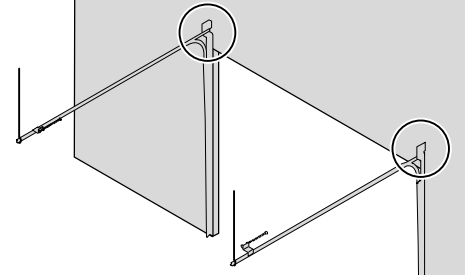
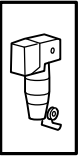




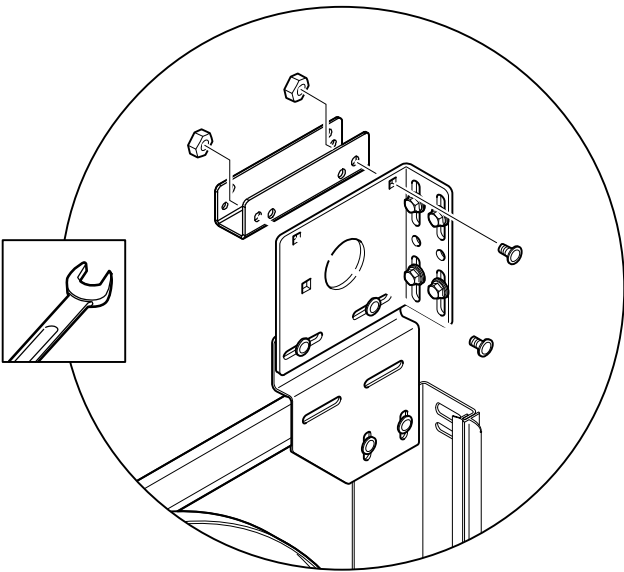
L+R

L+R

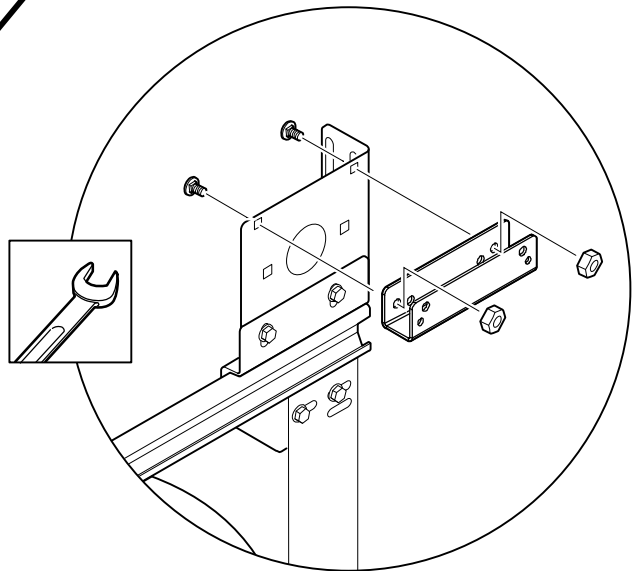


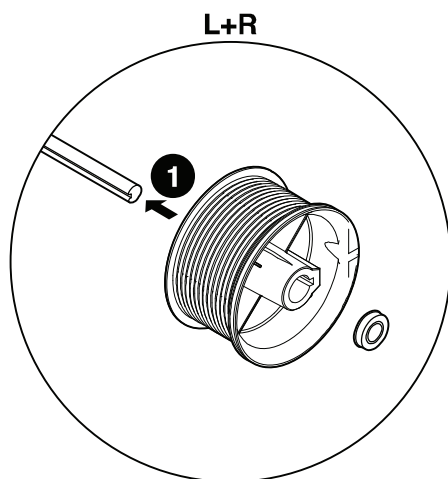
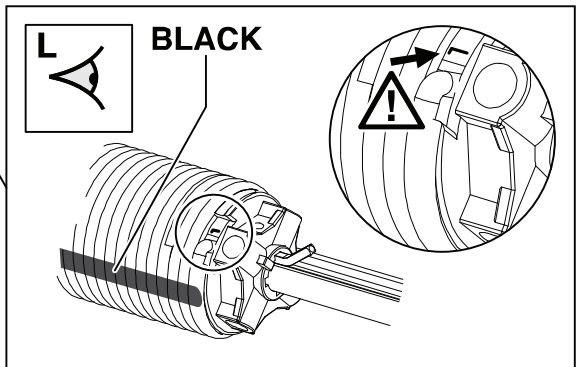
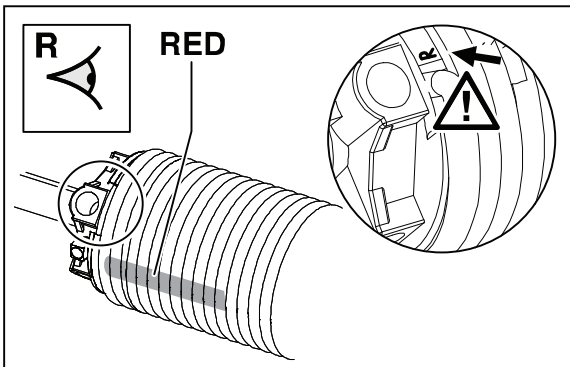
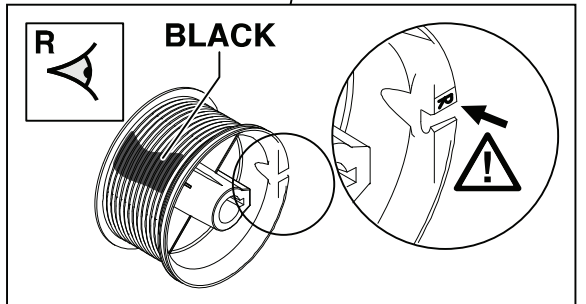
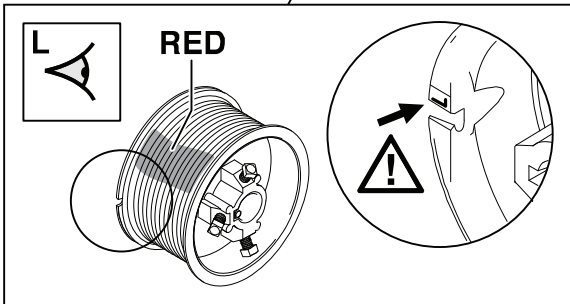
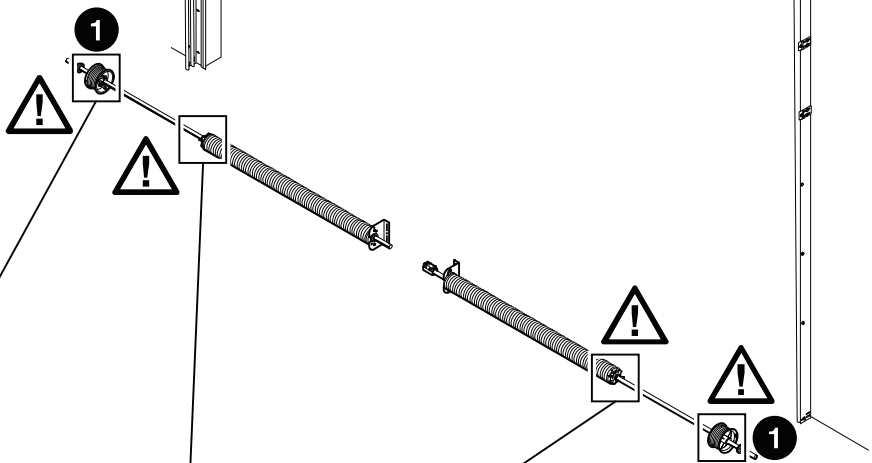
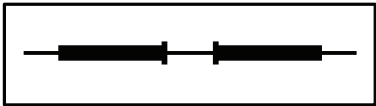


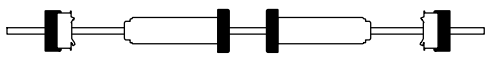
L



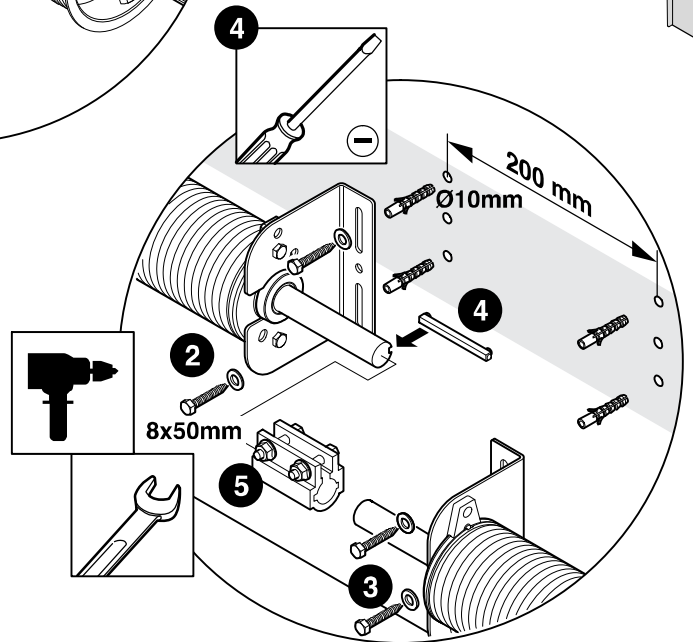
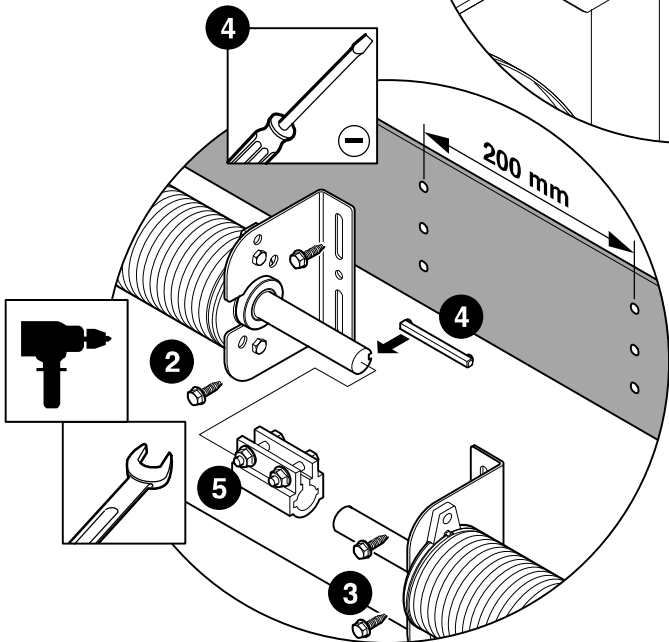
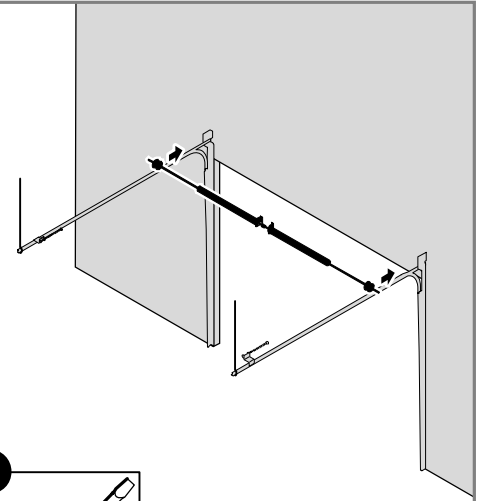
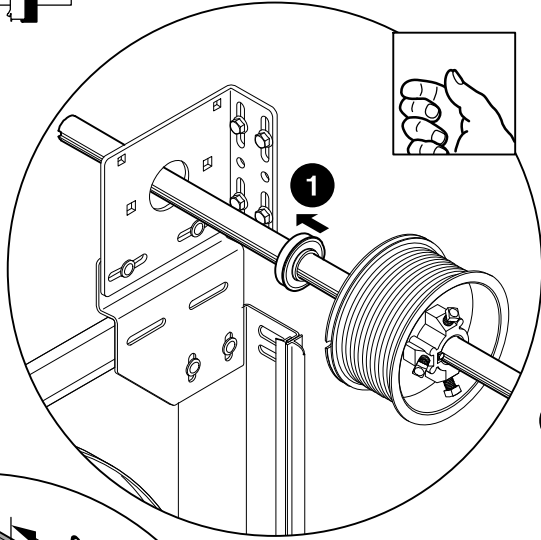
R



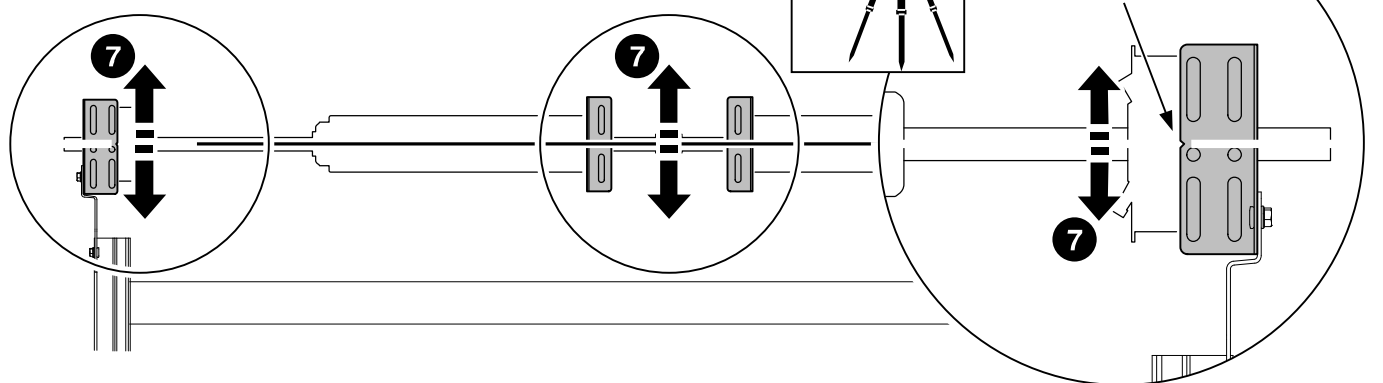
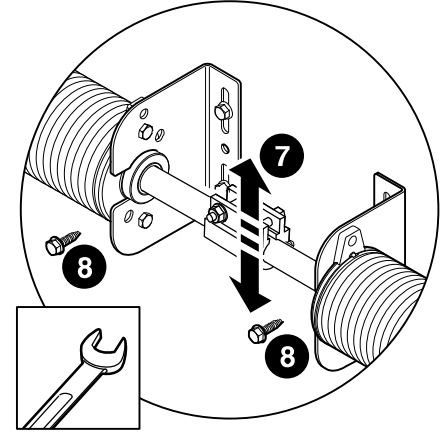
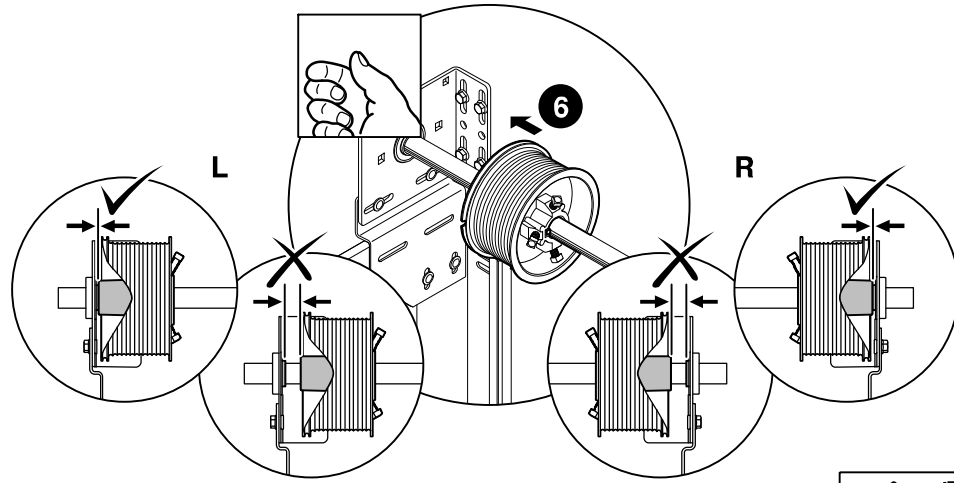




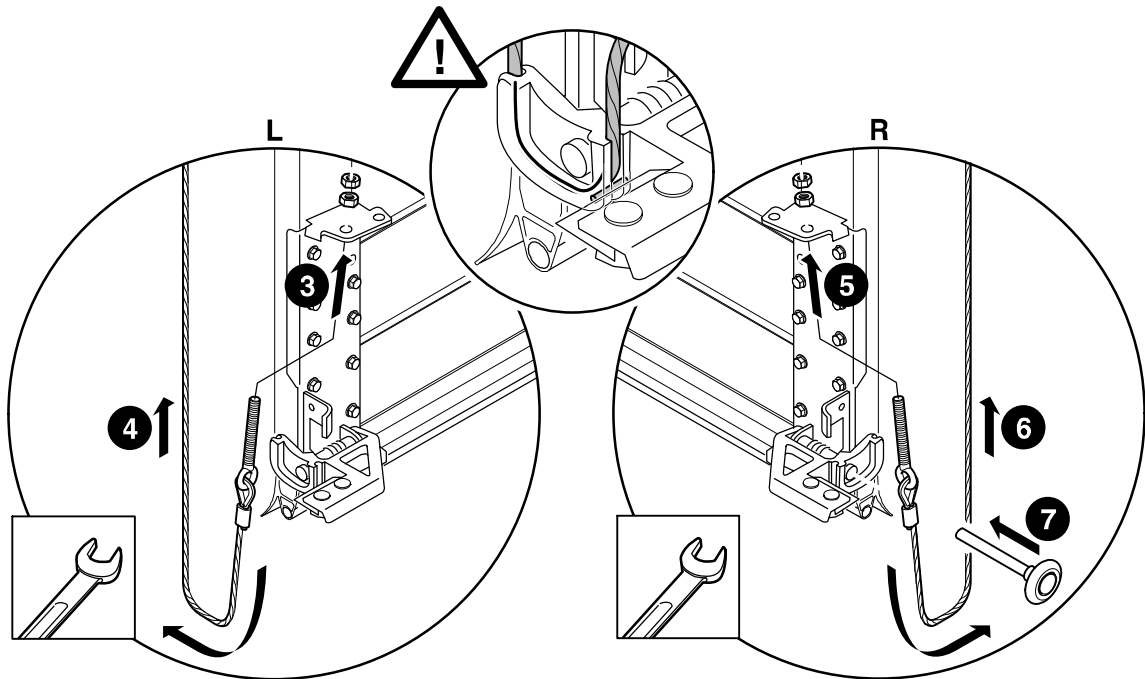
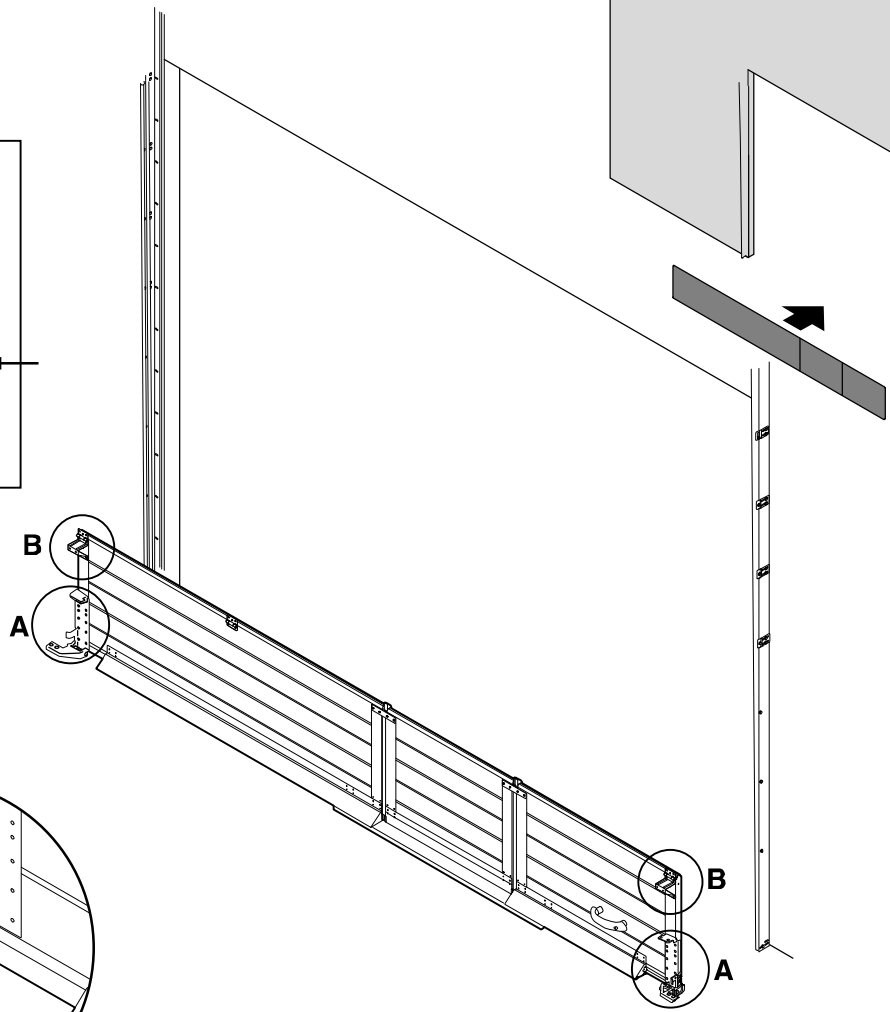
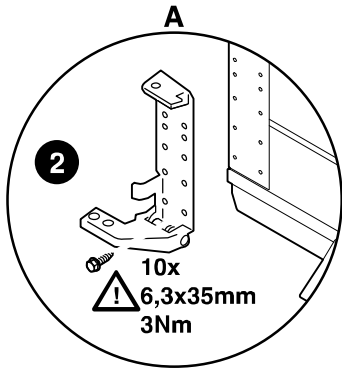
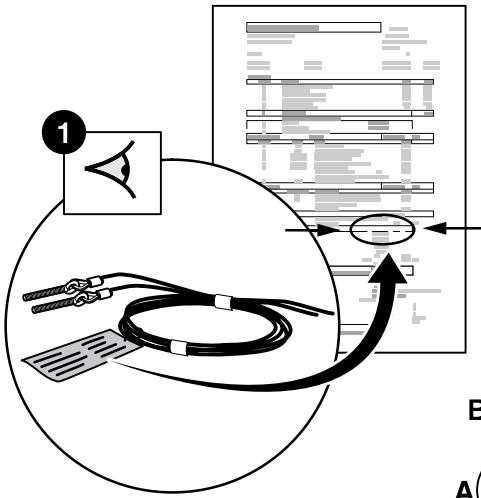
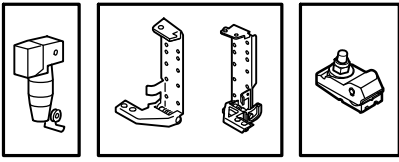
L+R

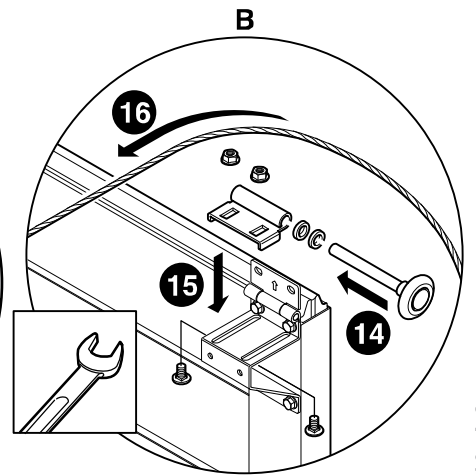
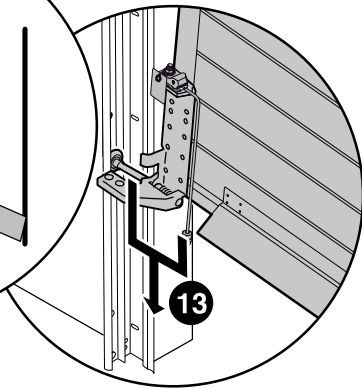
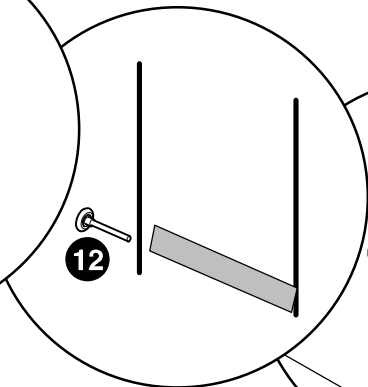
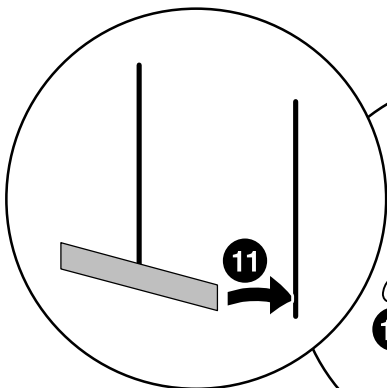
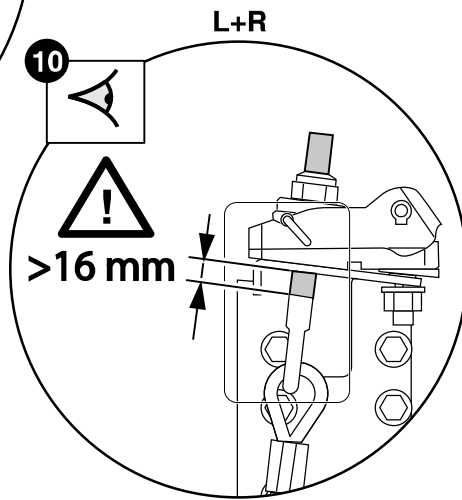
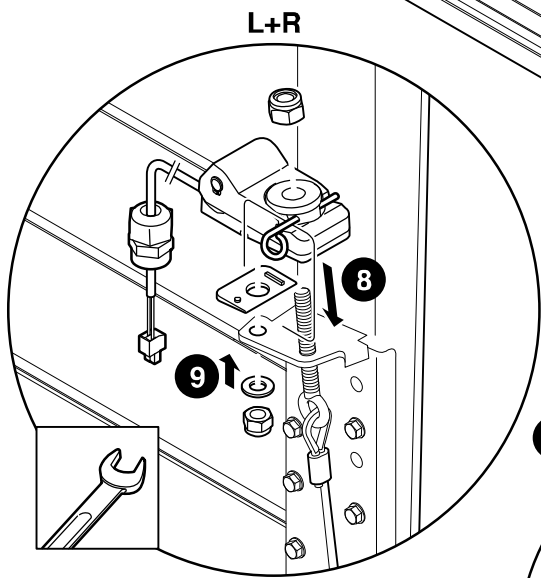
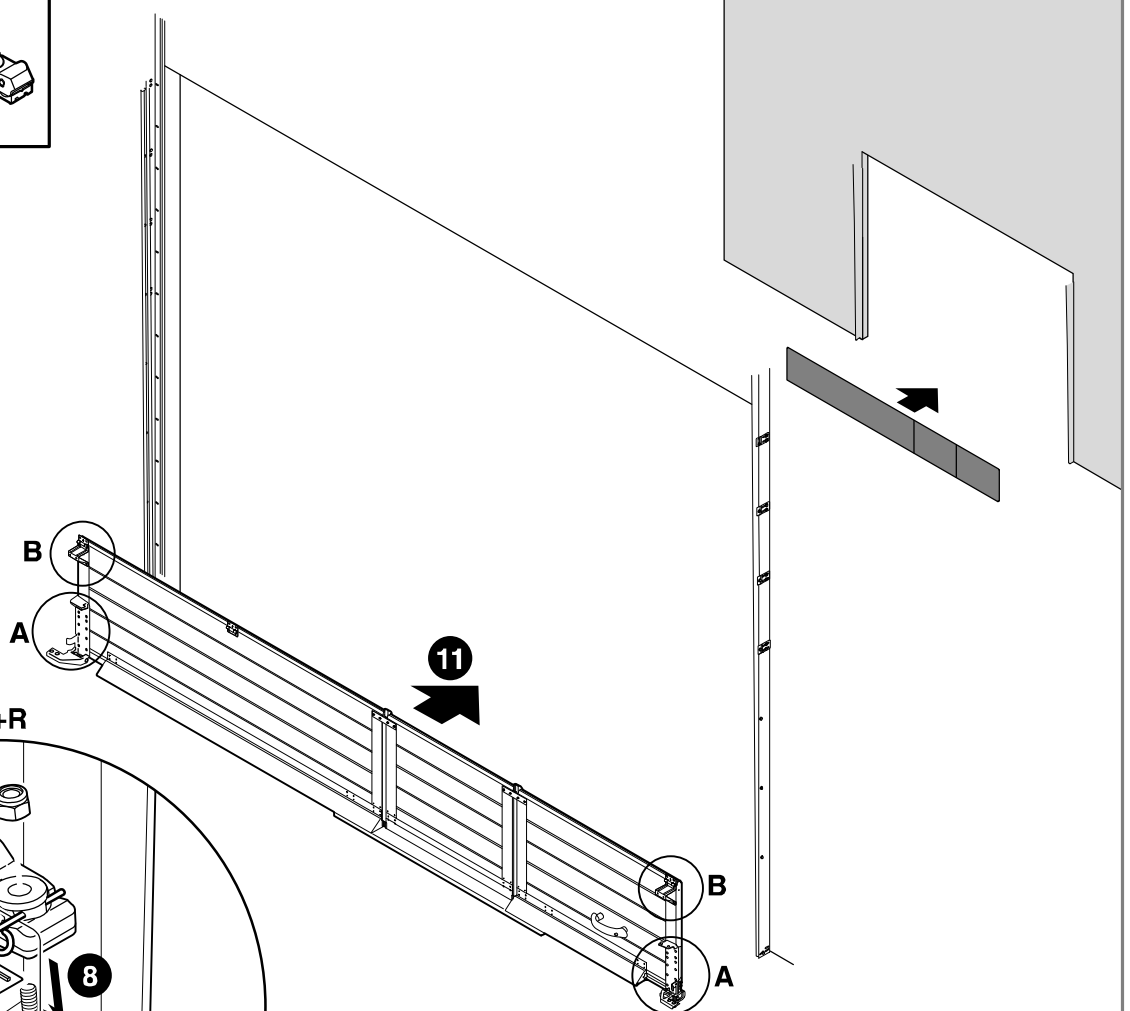
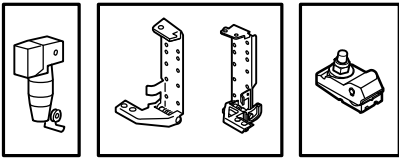


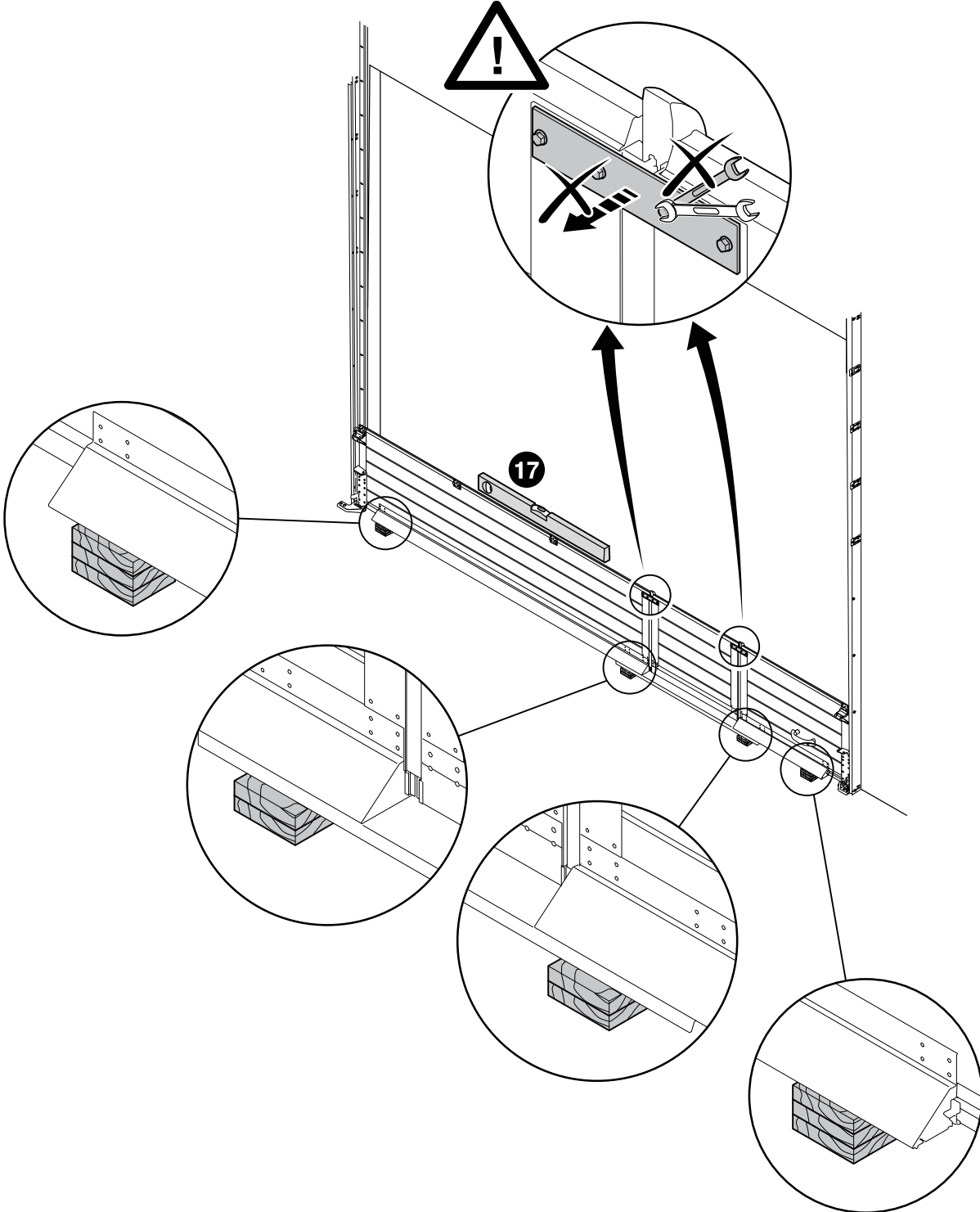
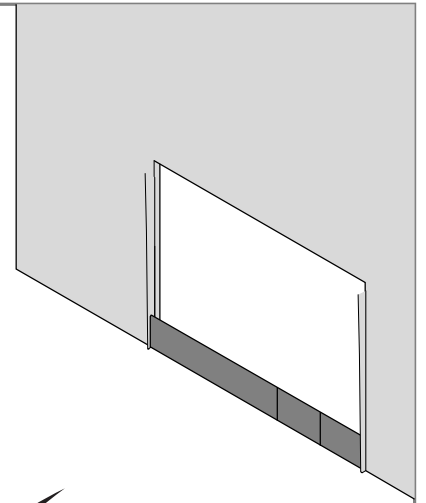
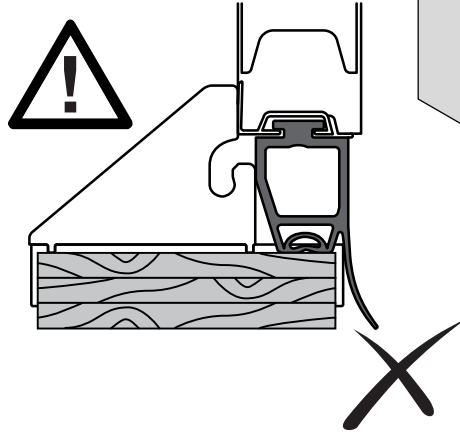
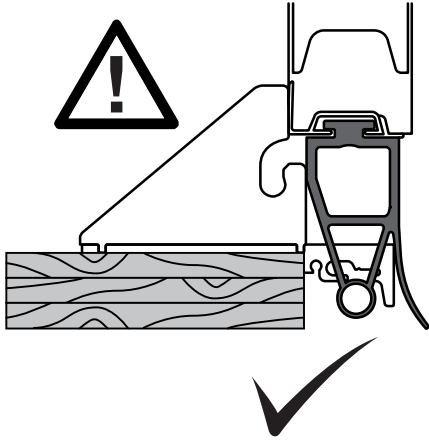
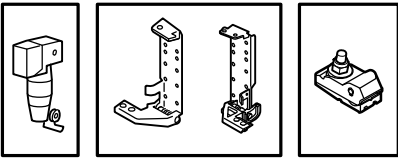
L+R

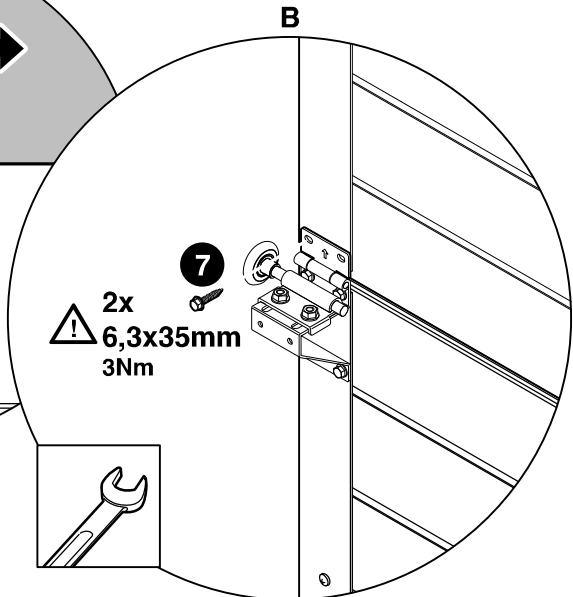
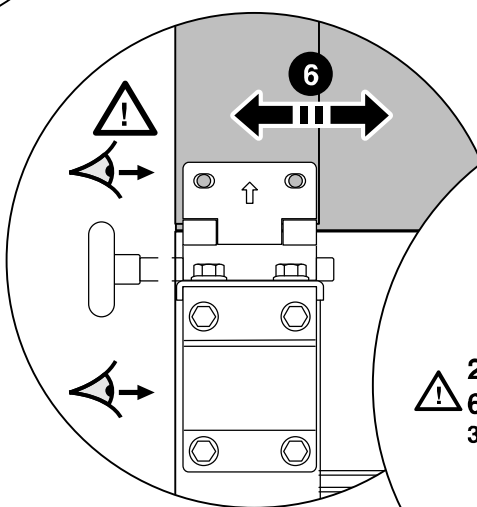
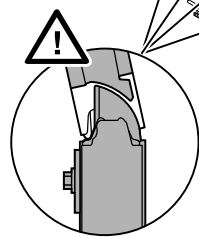
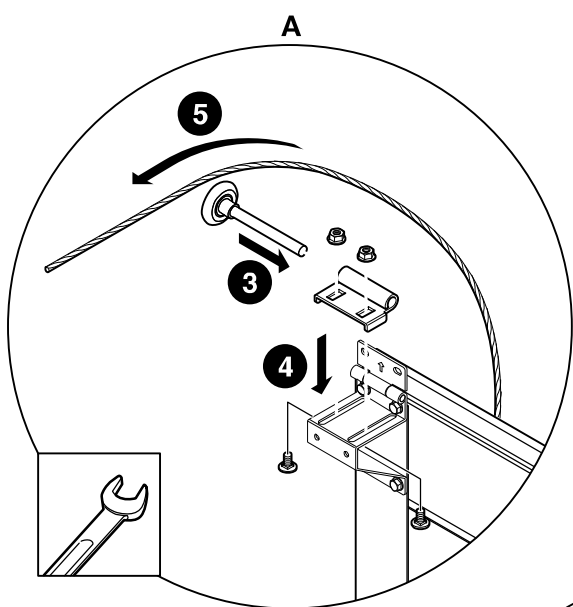
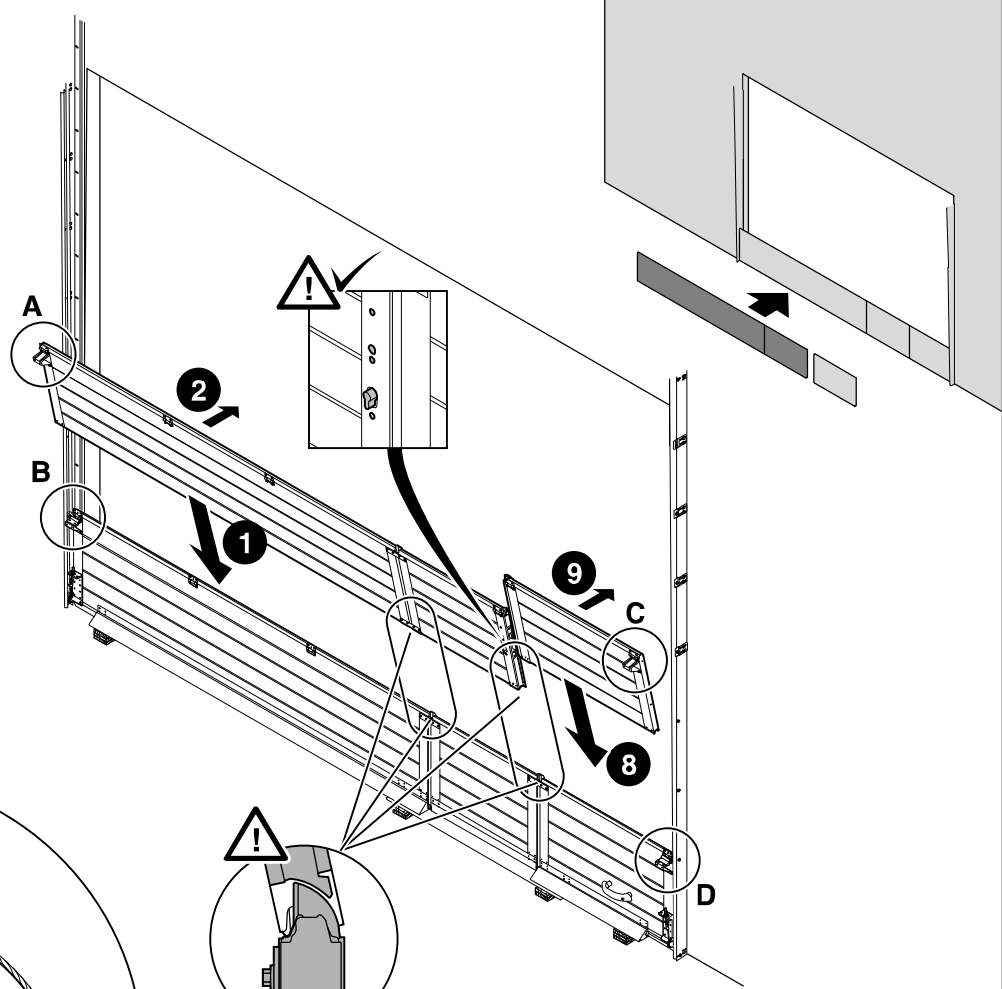


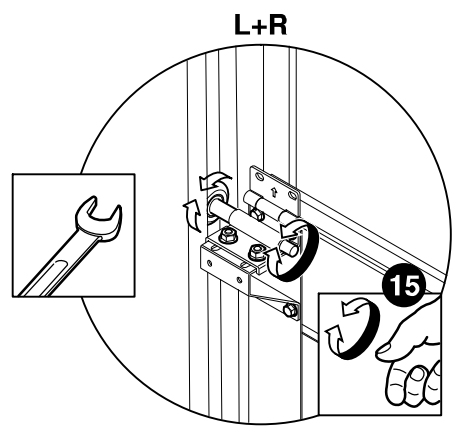
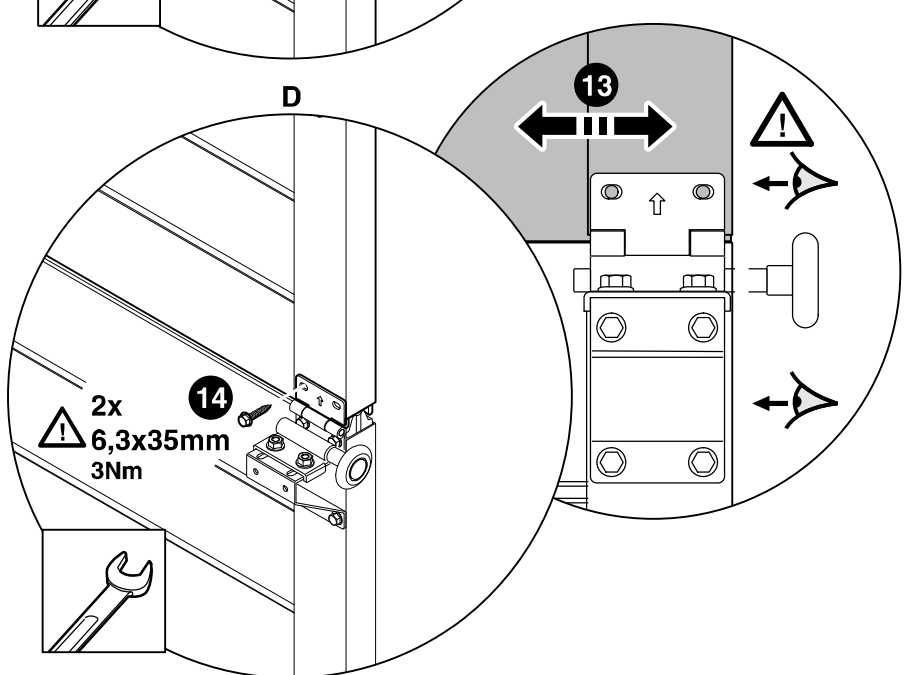
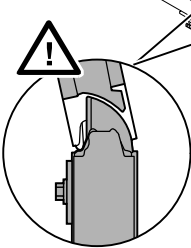
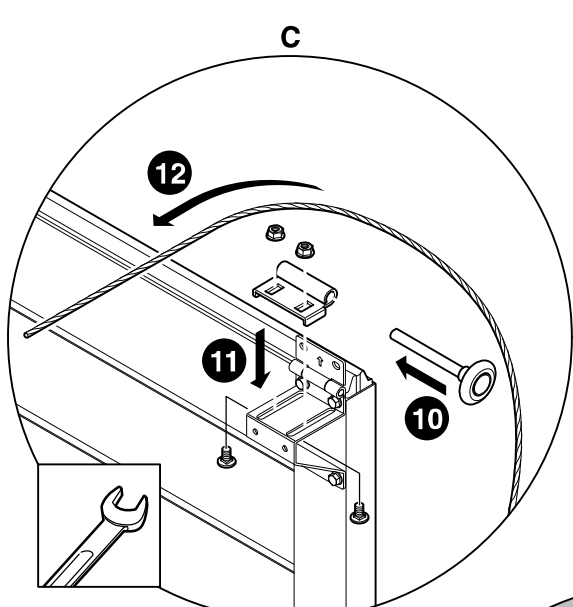
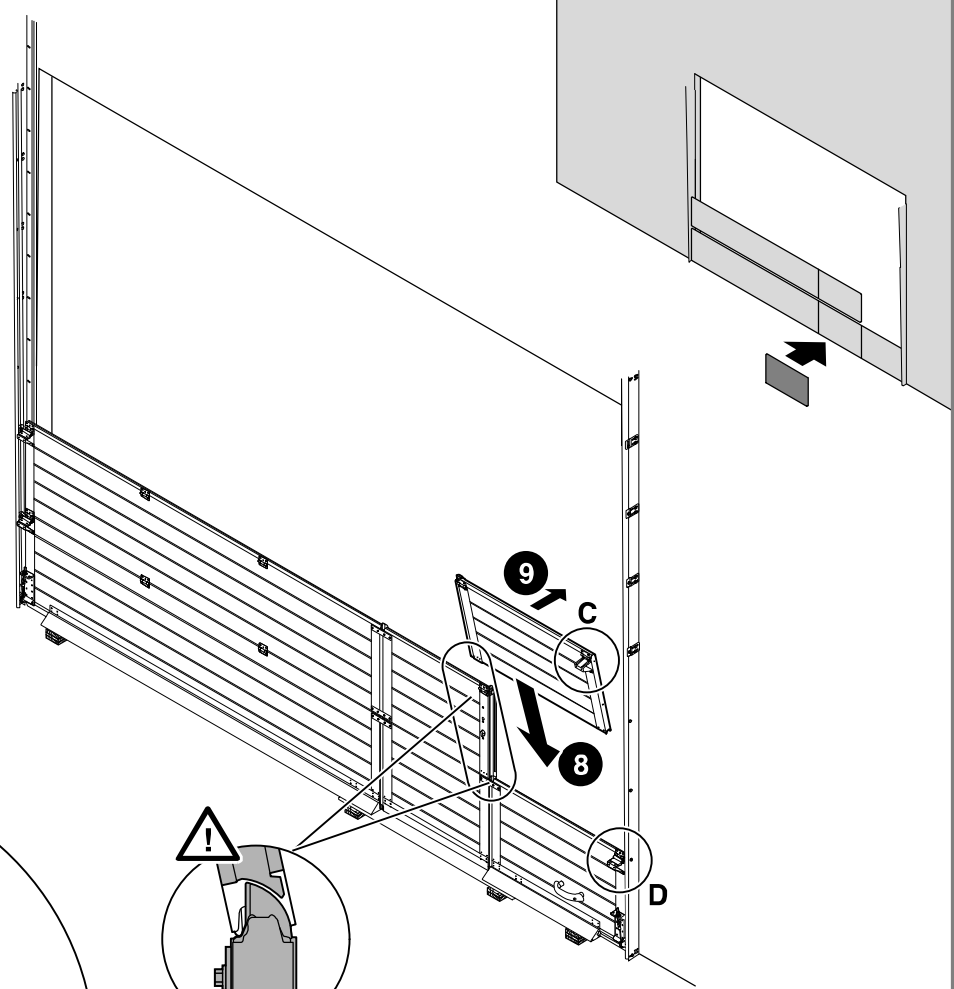


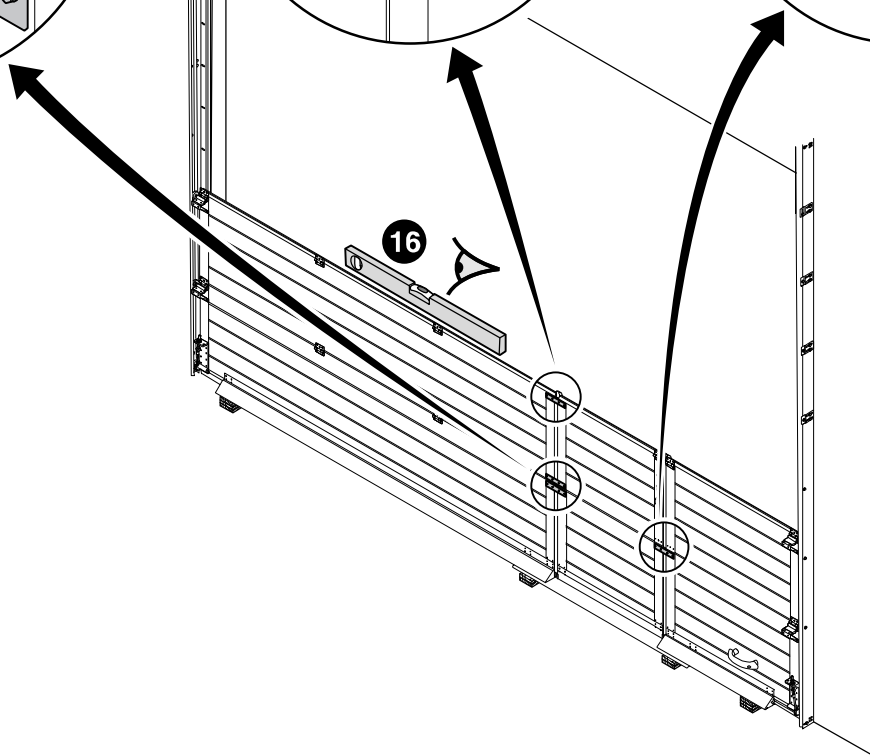
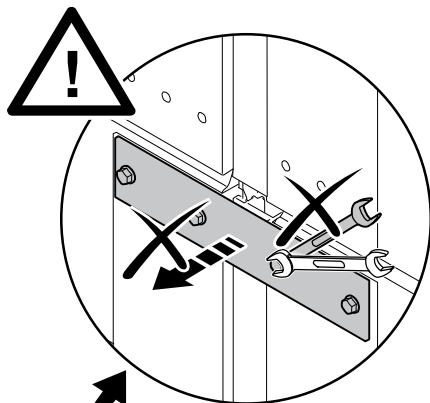
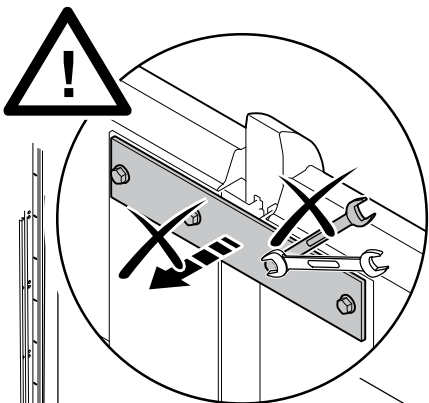
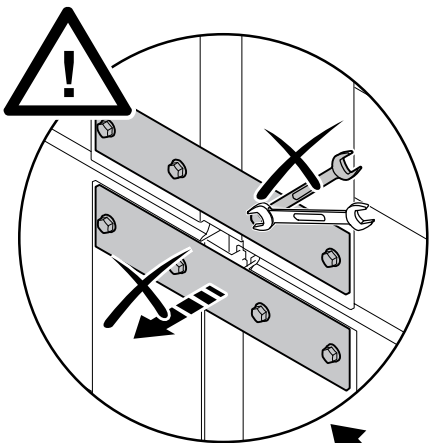
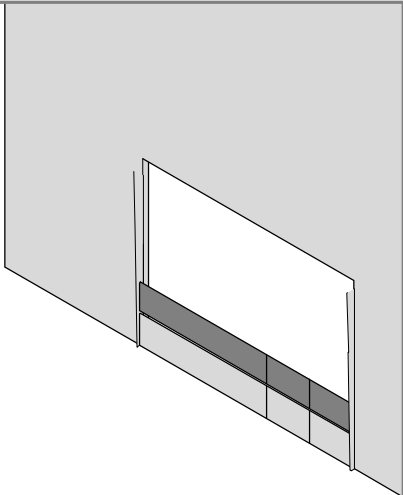


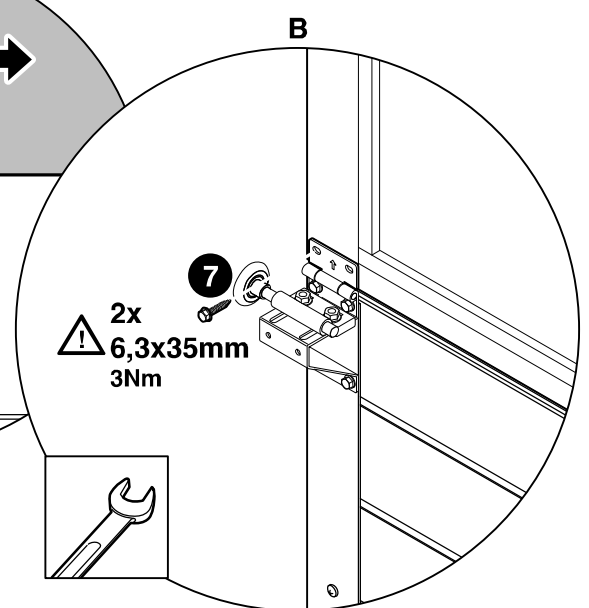
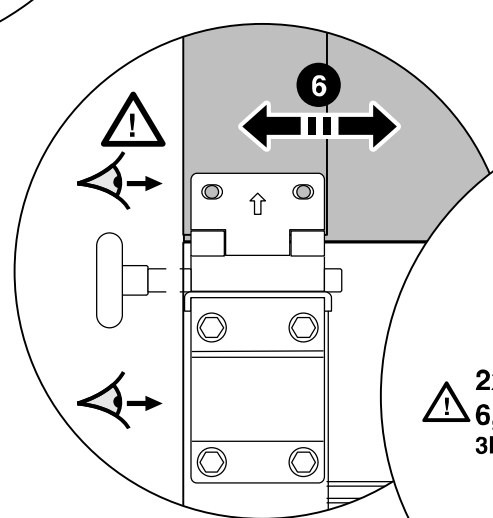
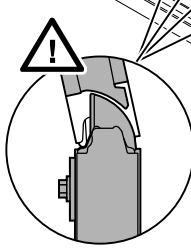
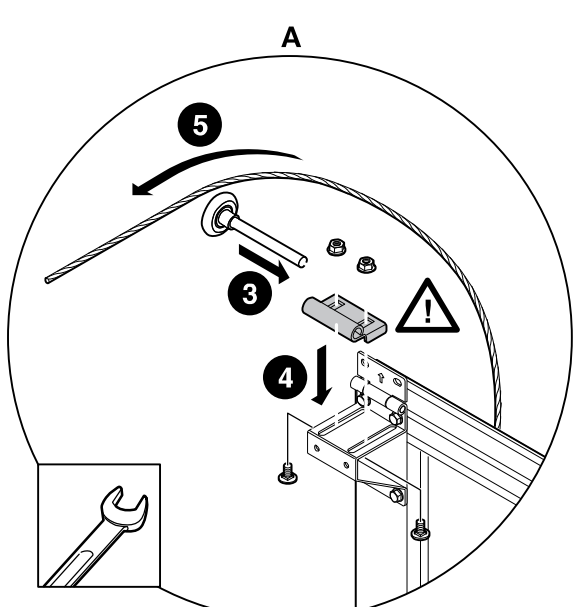
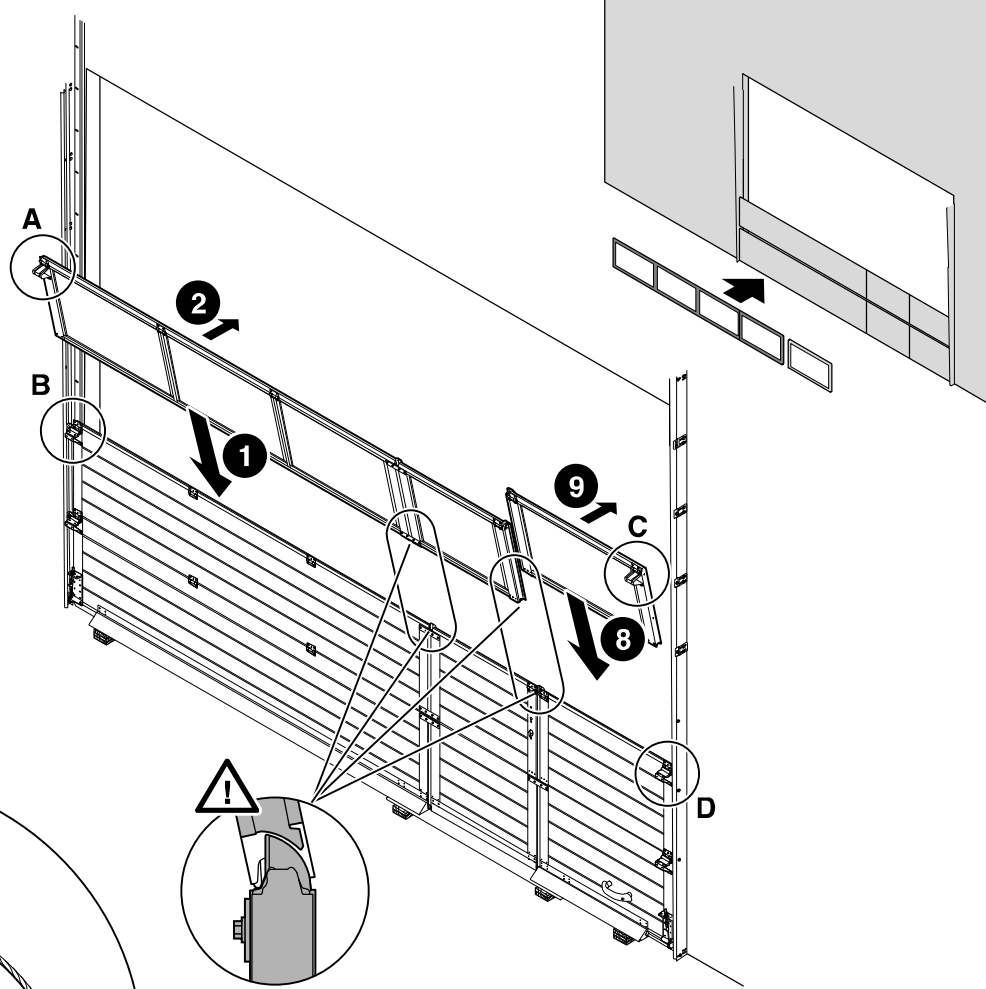


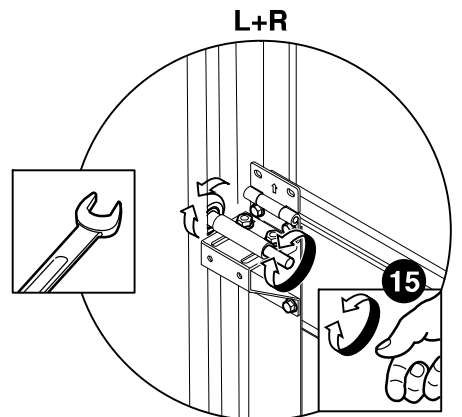
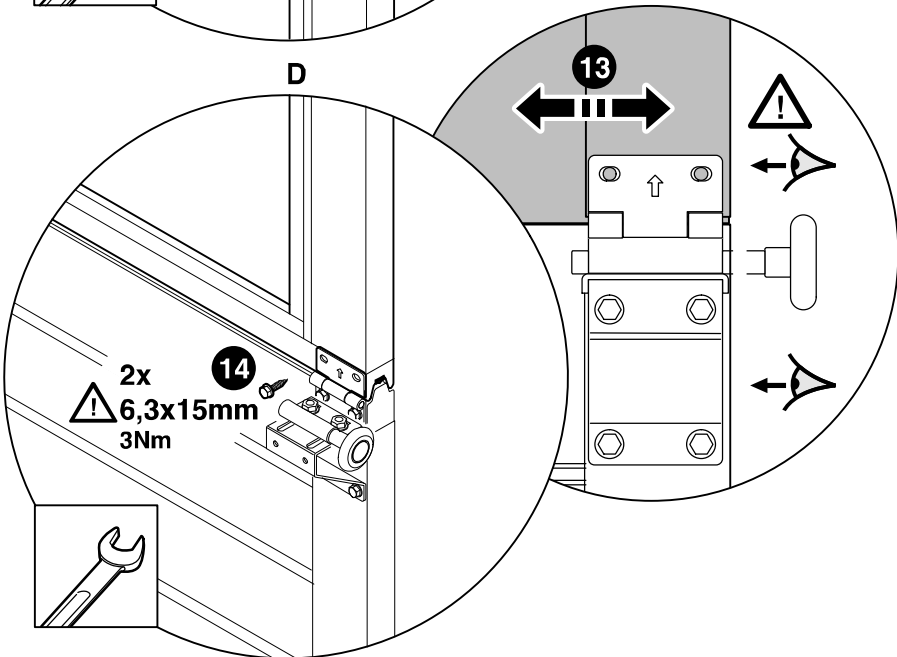
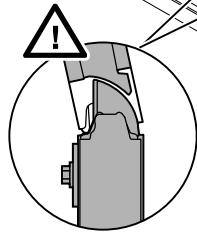
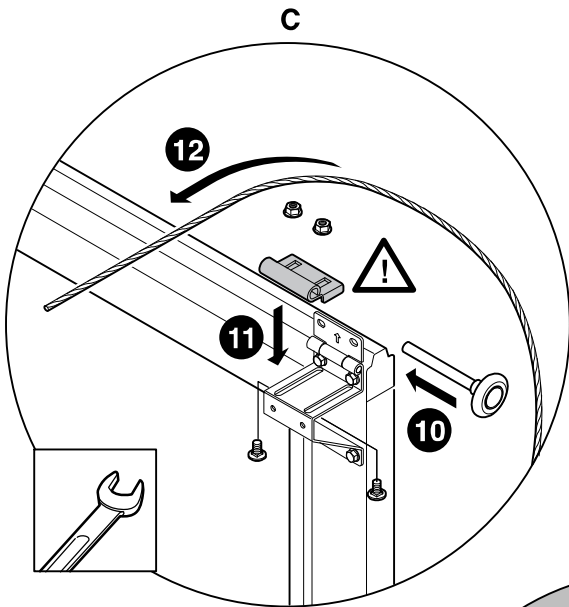
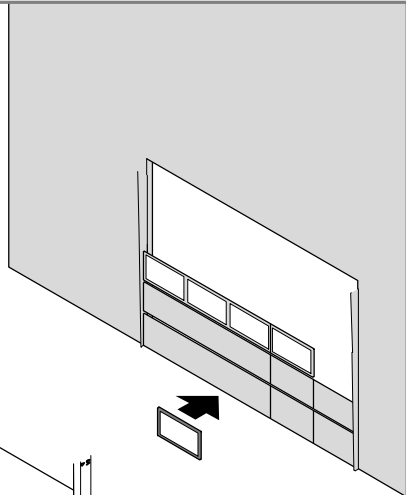
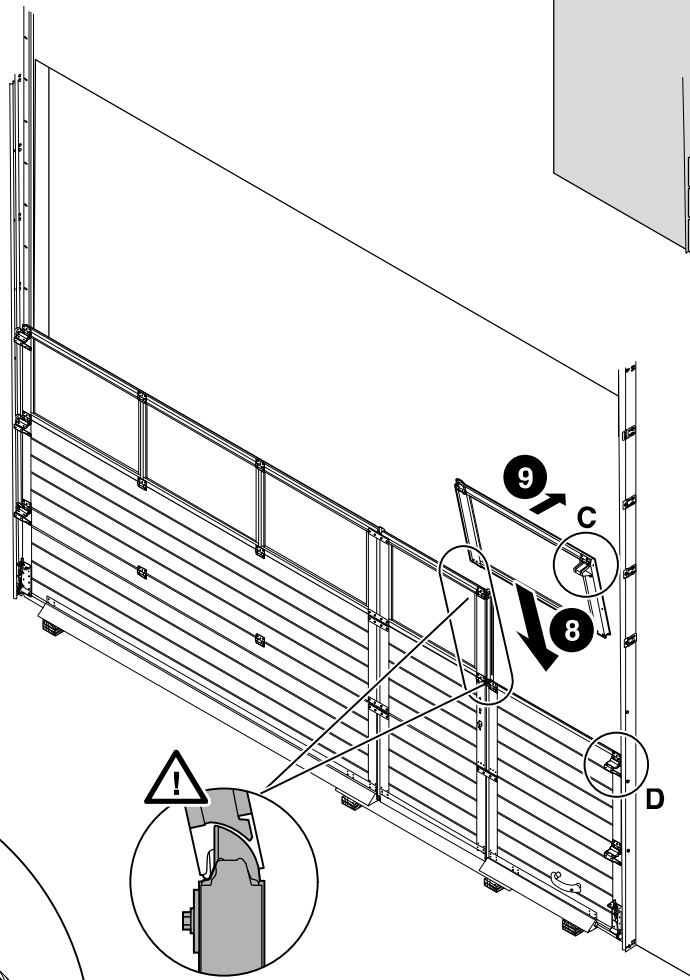




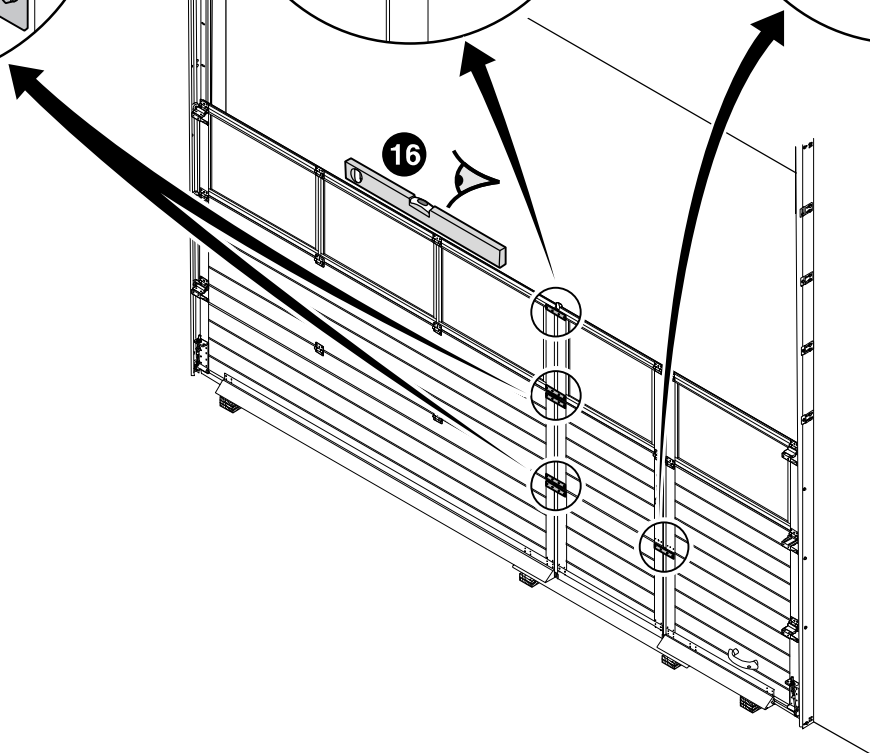
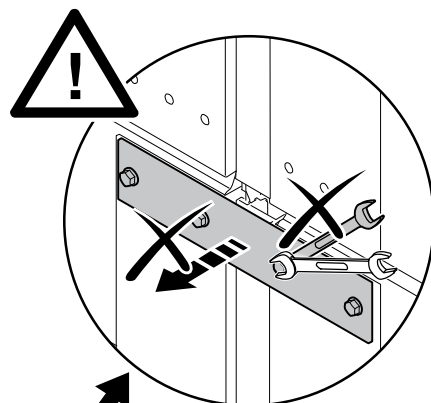
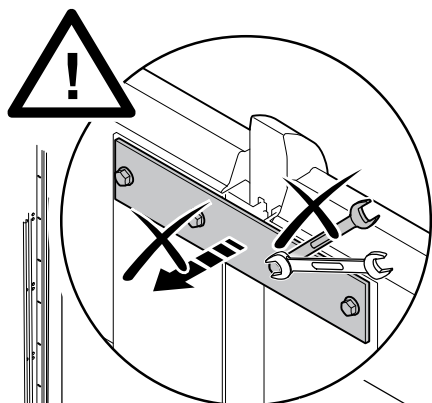
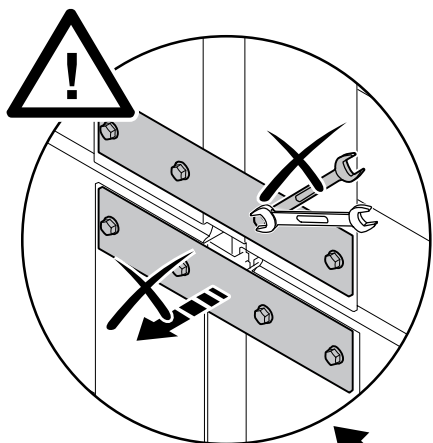
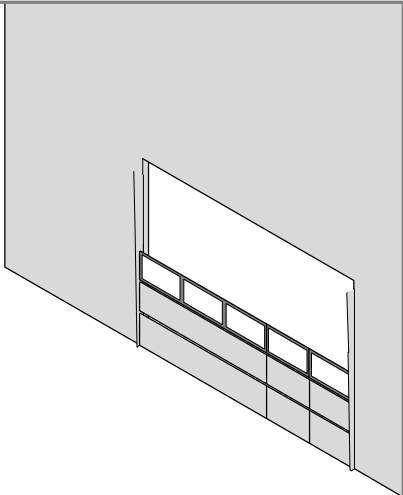


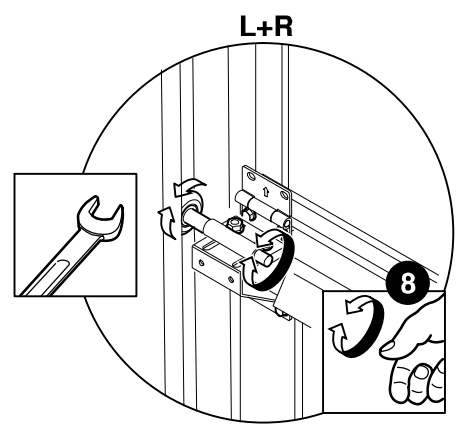
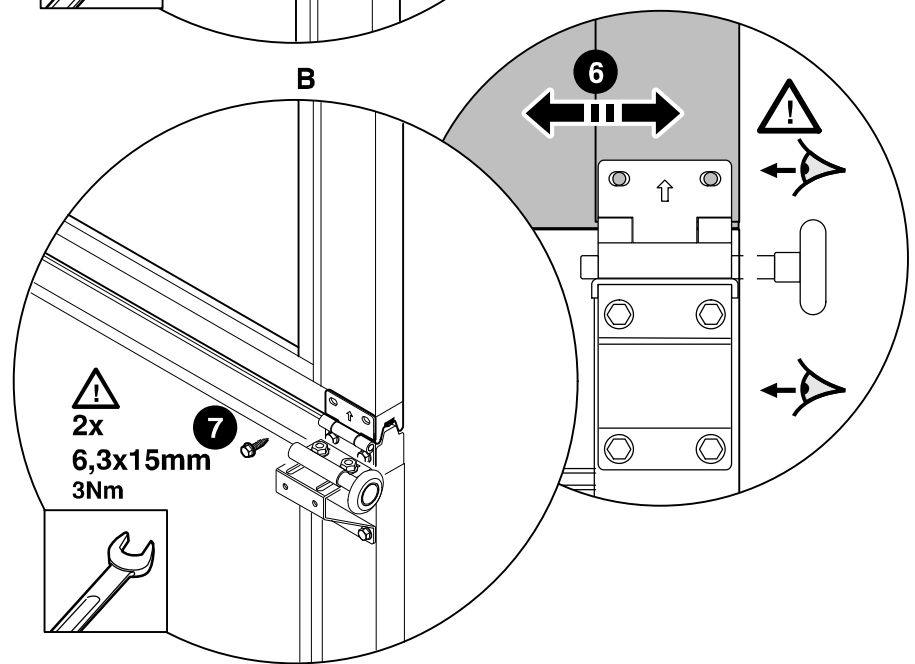
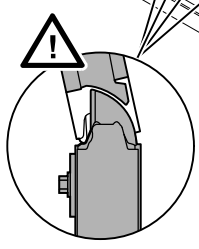
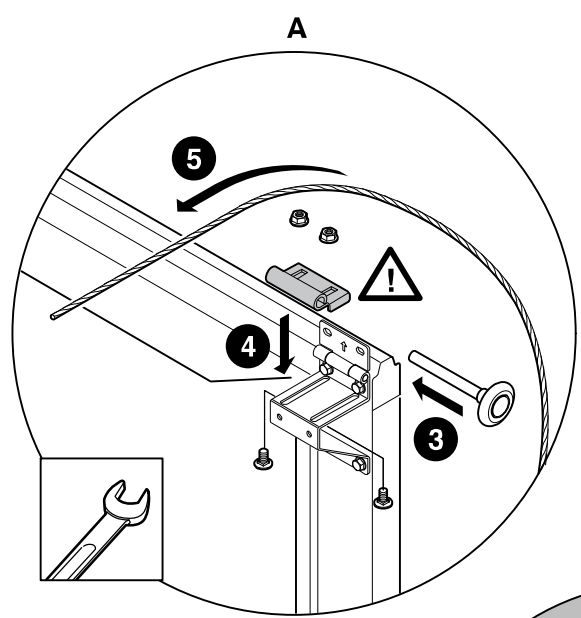
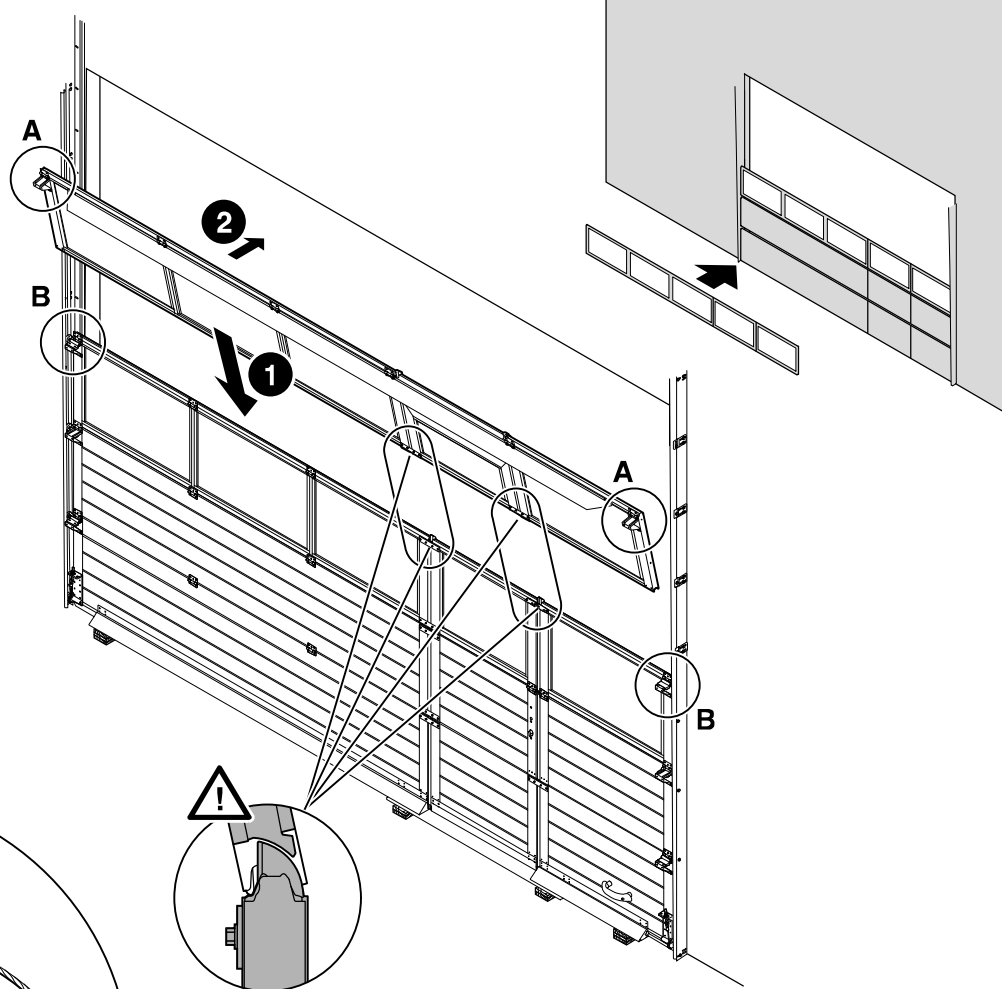


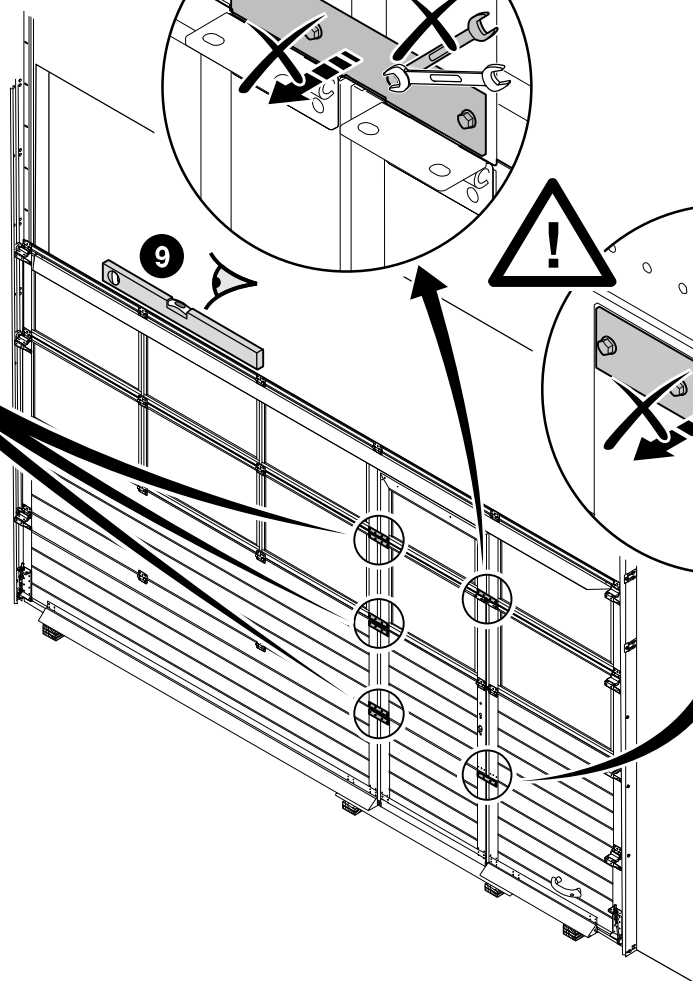
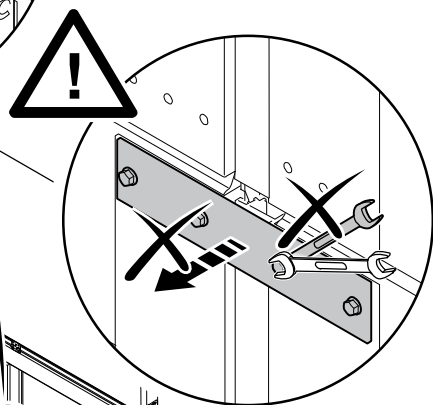
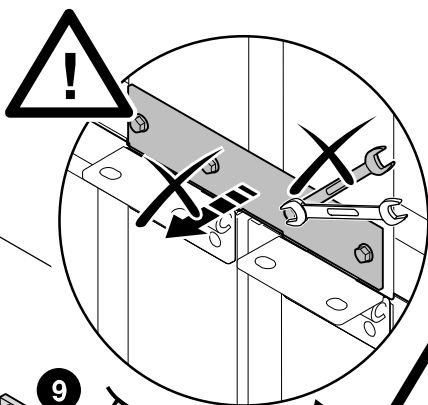
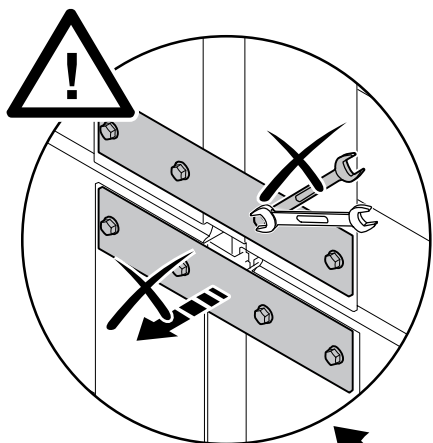
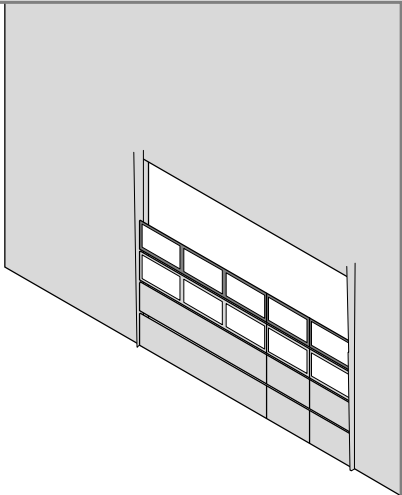


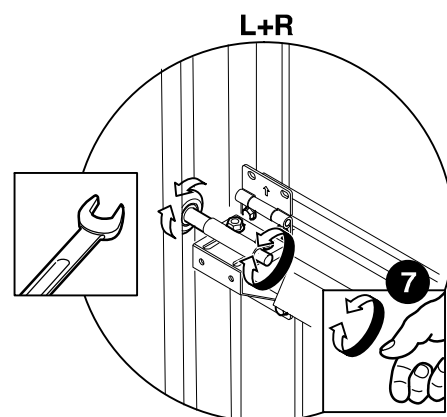
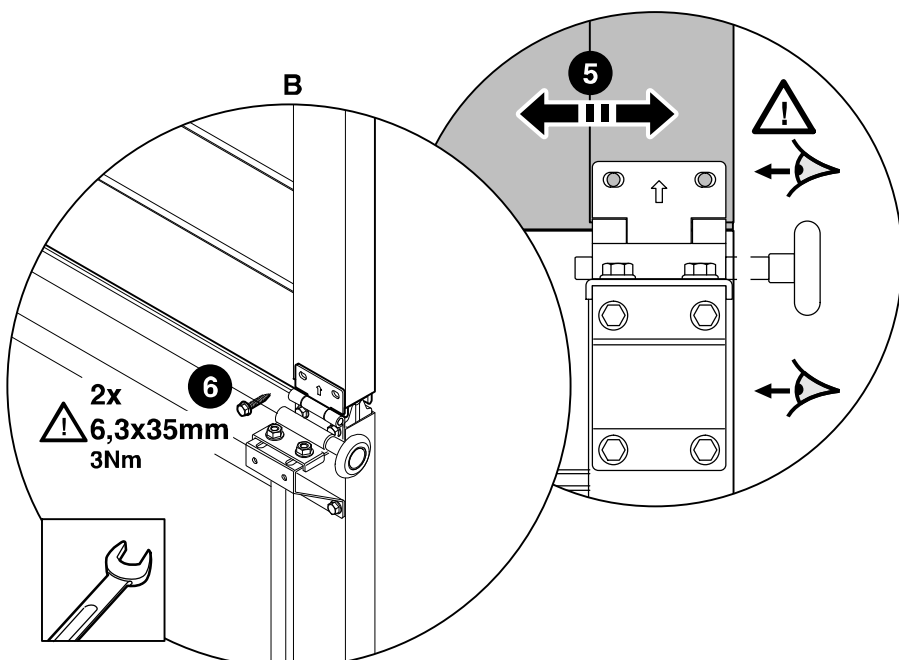
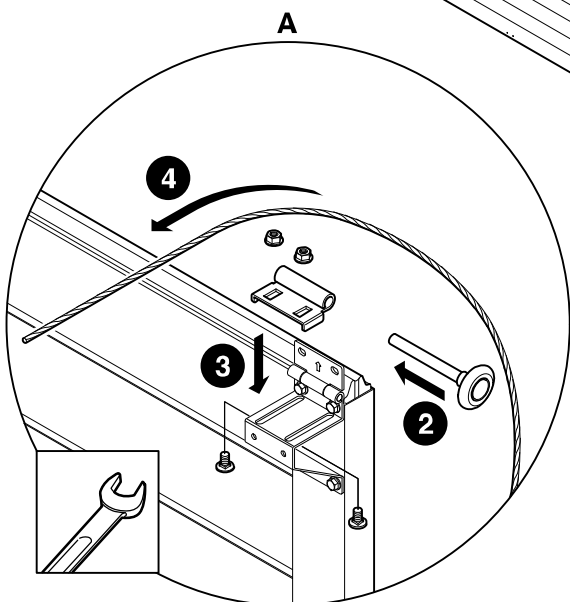
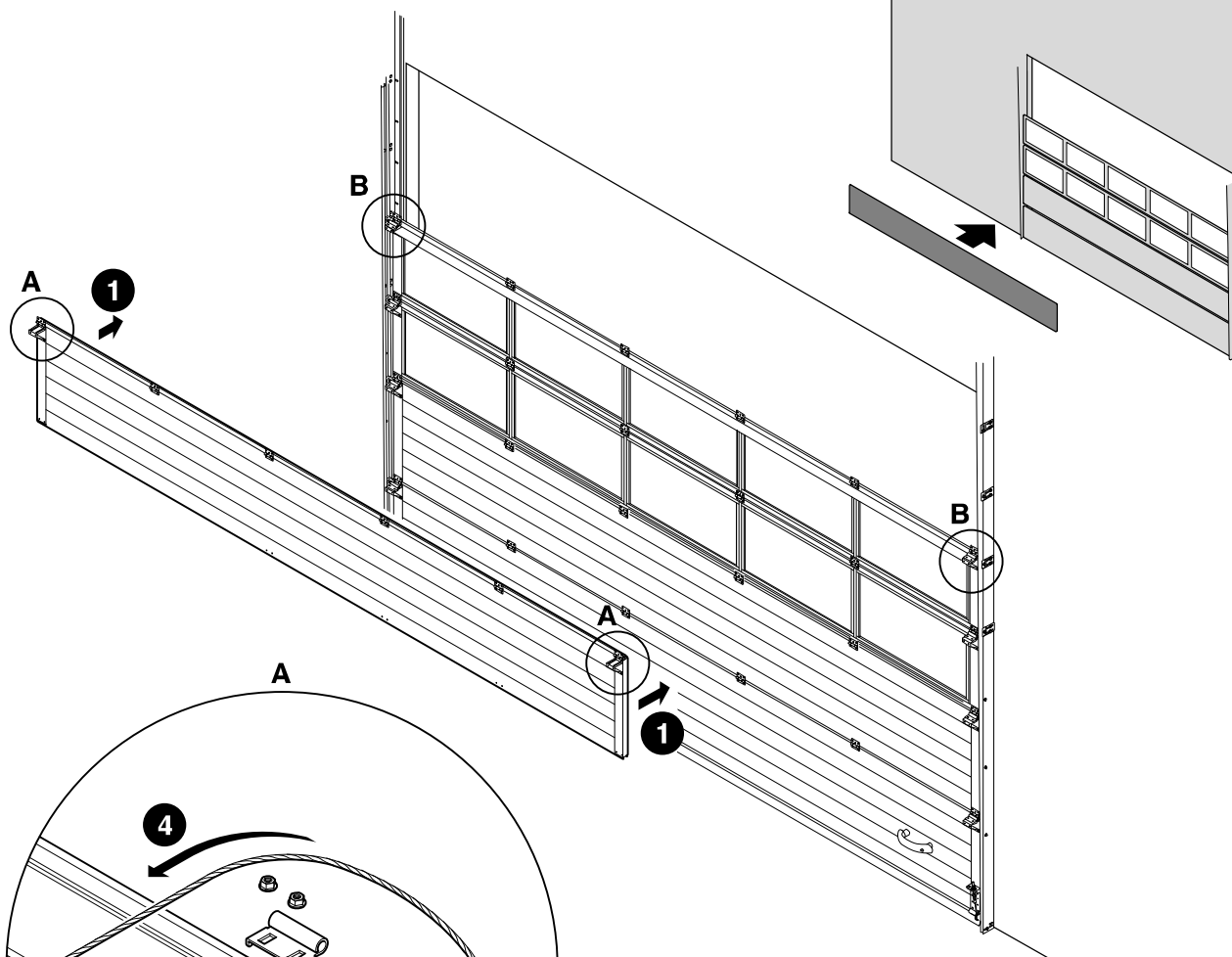


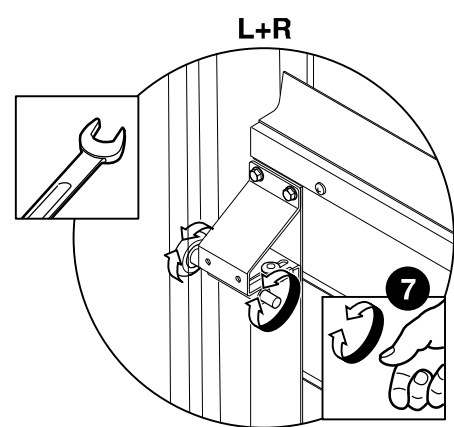
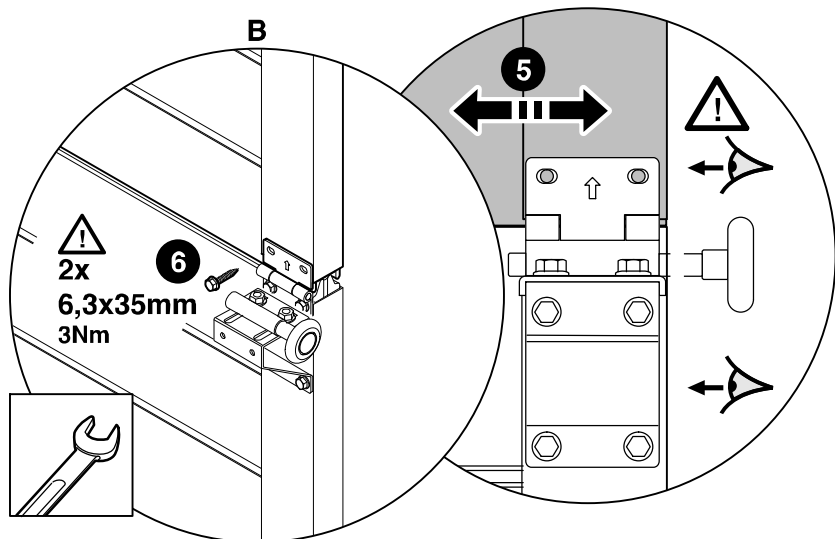
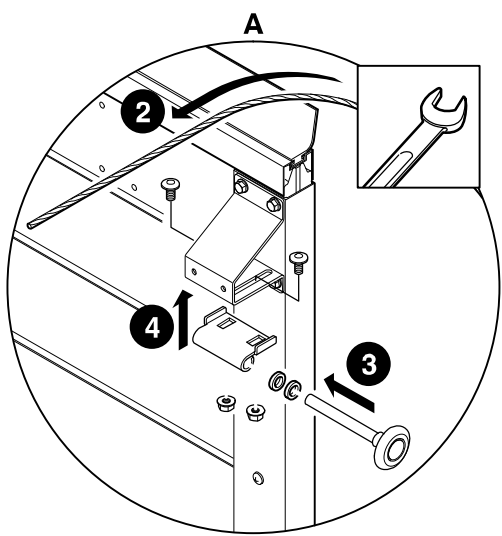
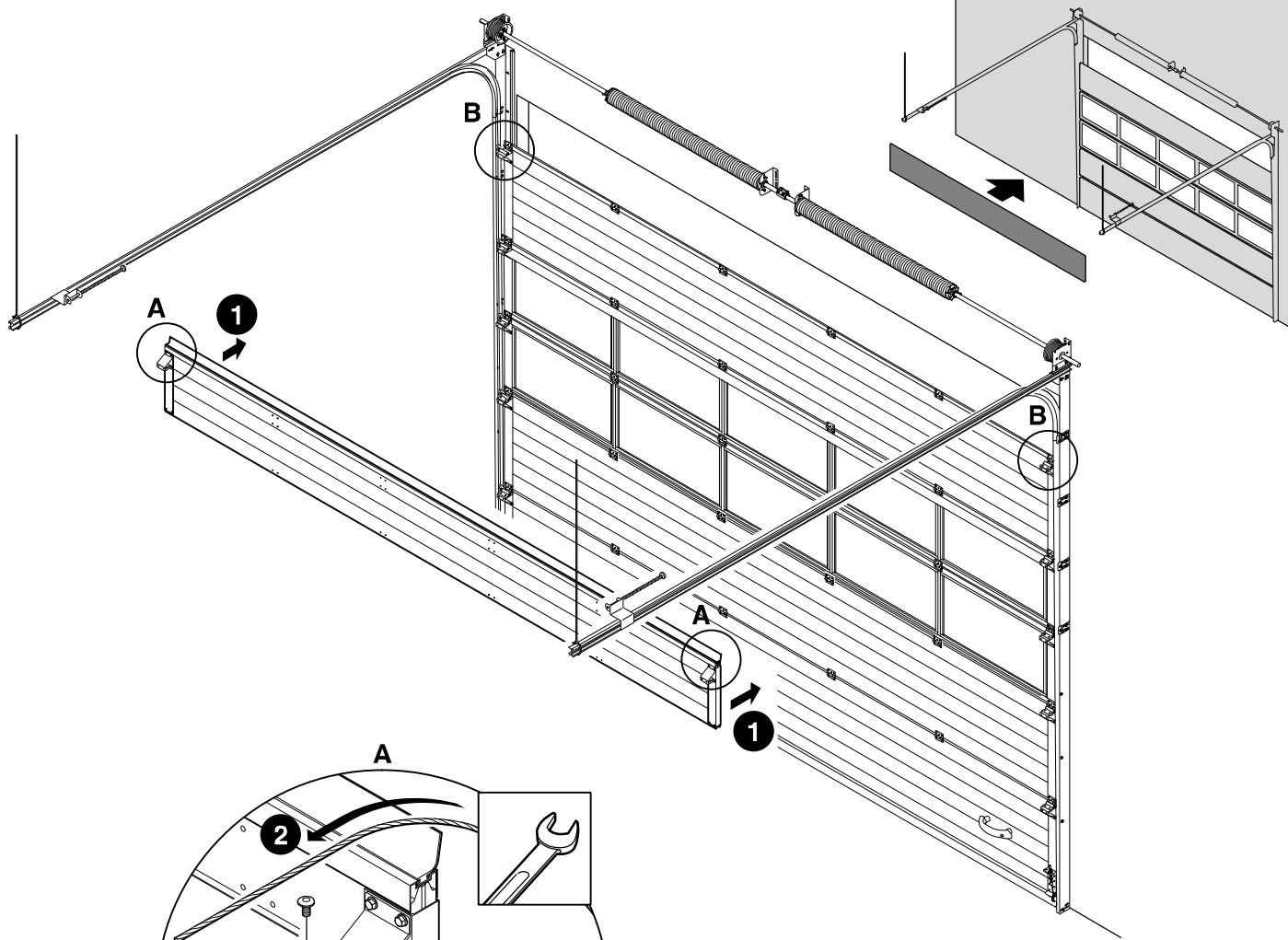


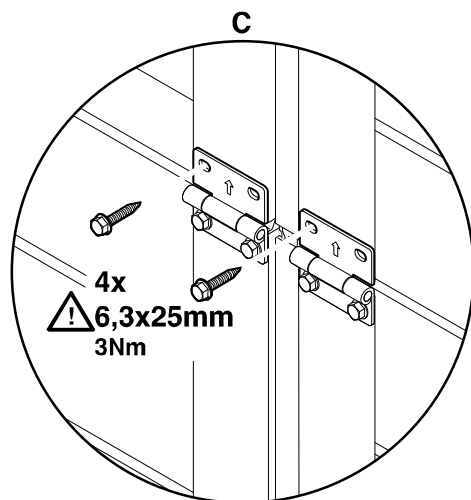
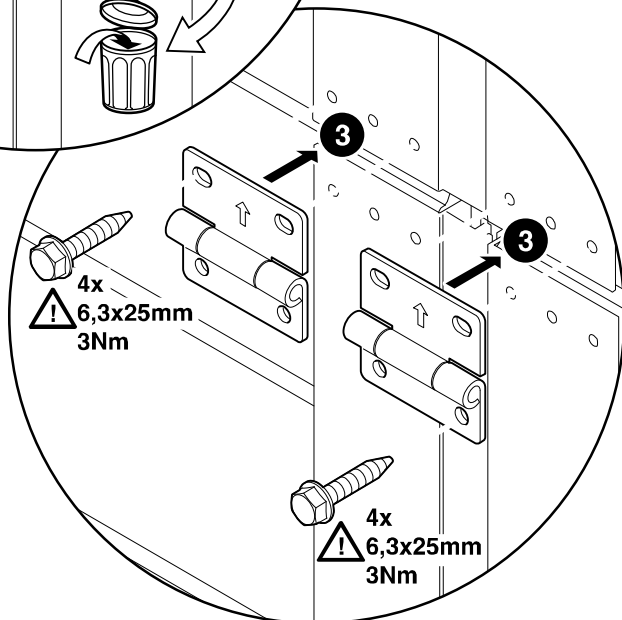
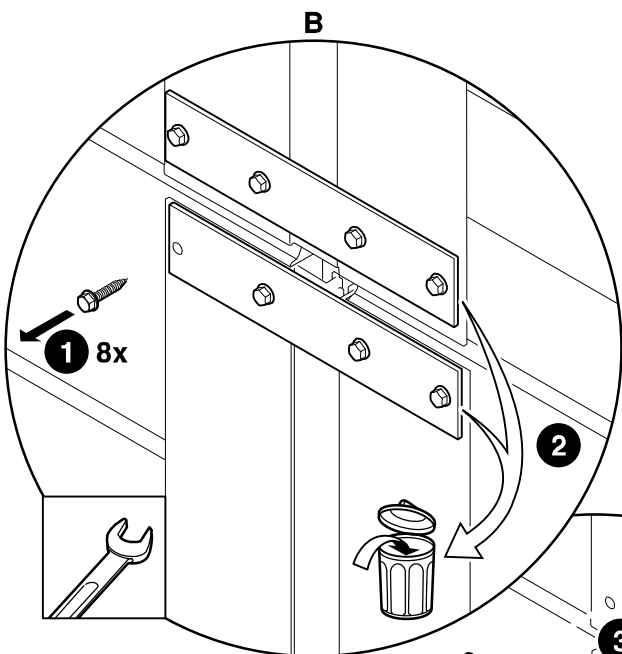
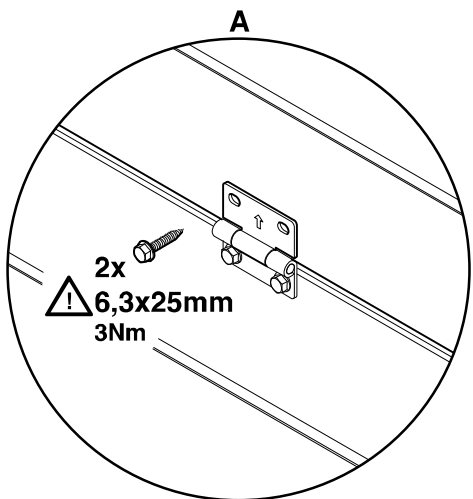
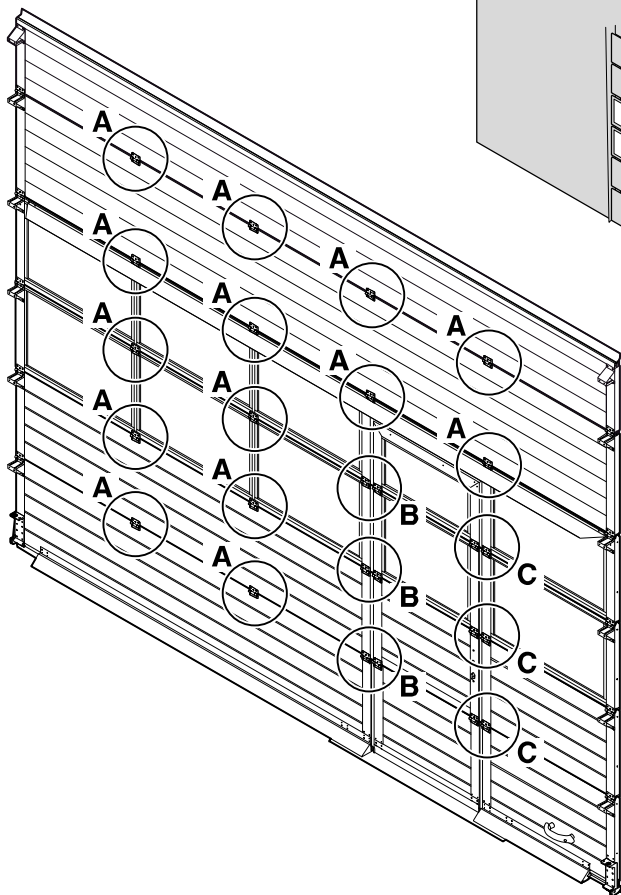
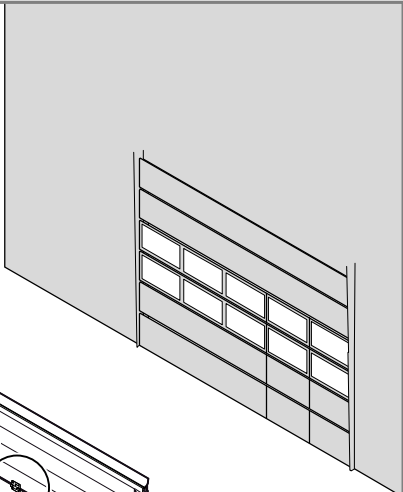


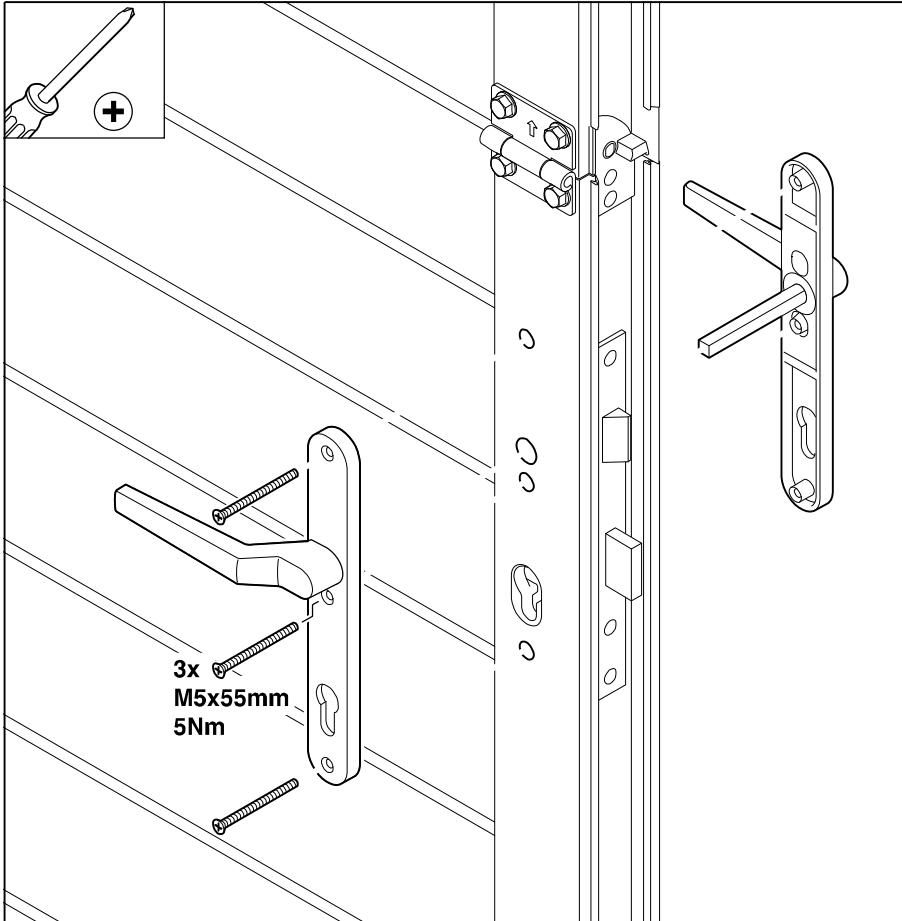
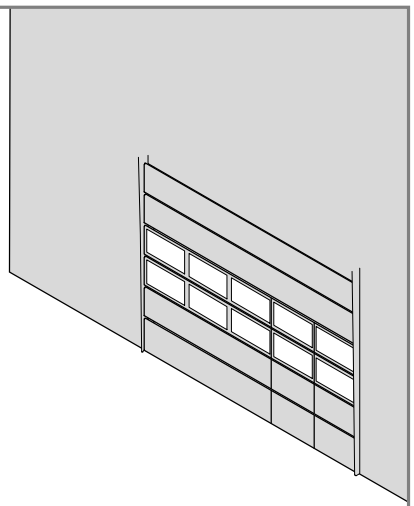
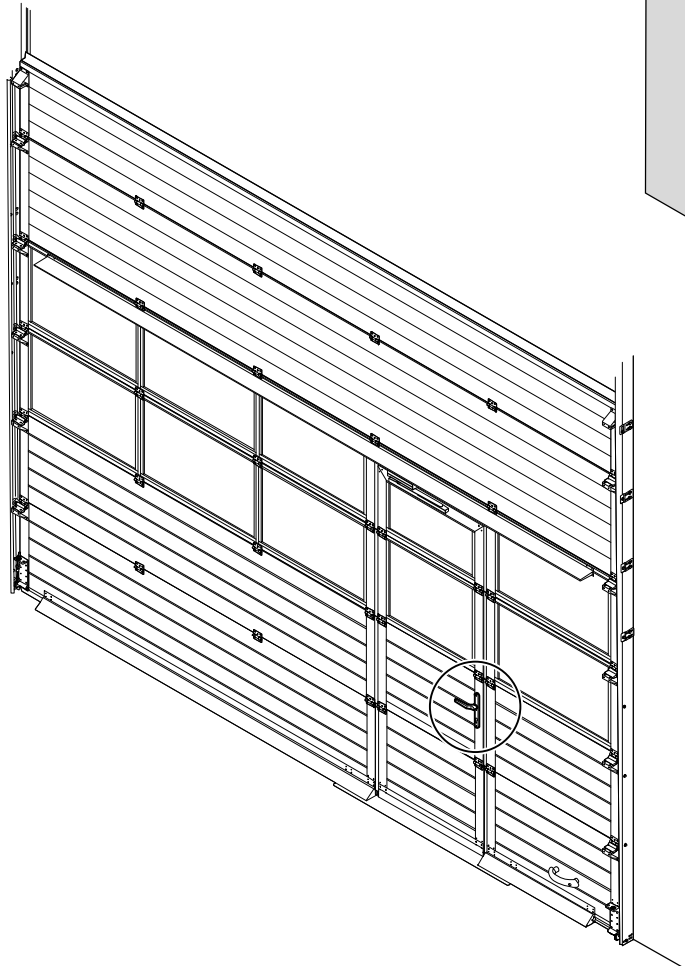




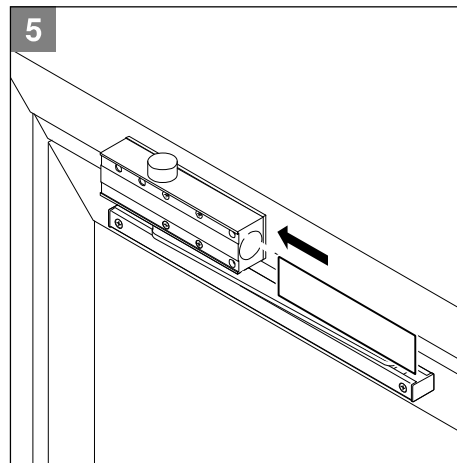
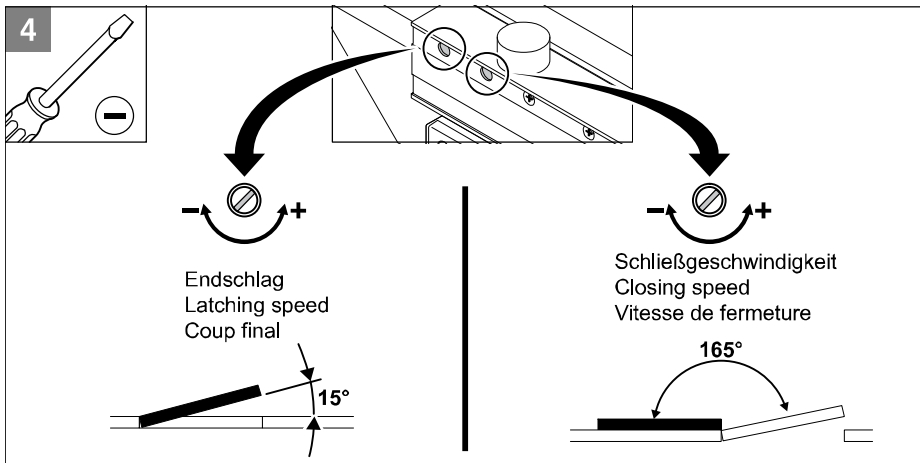
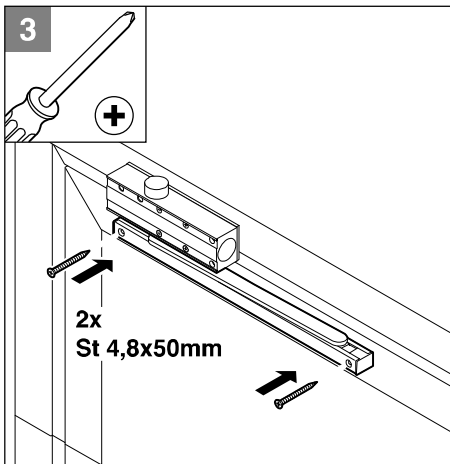
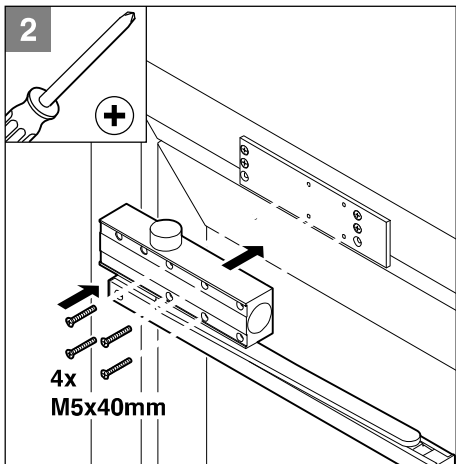
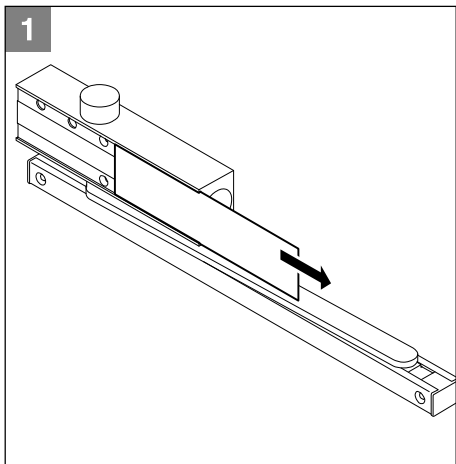
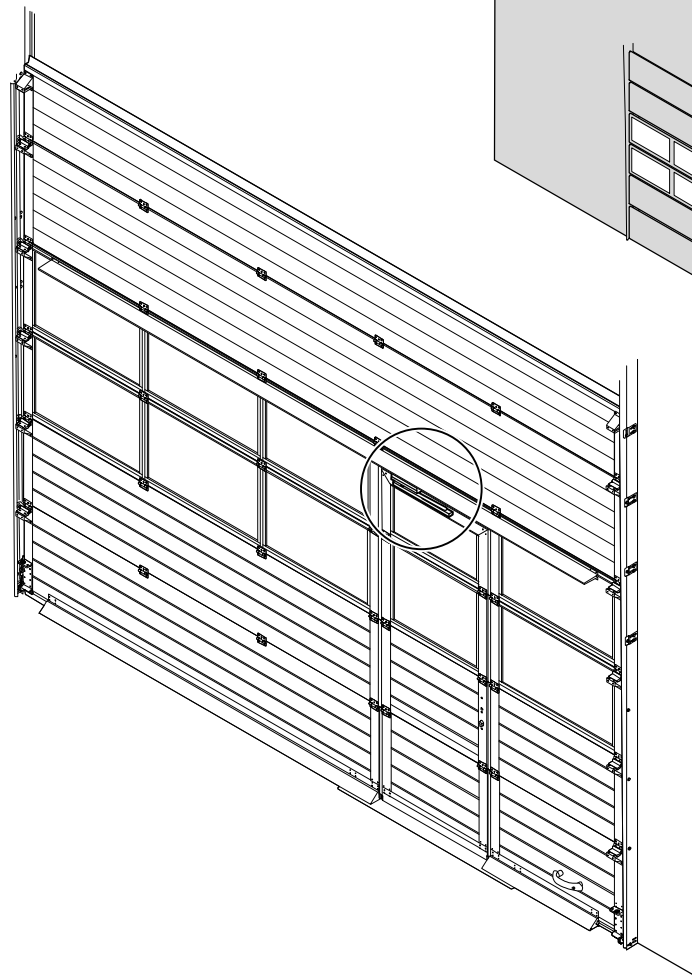
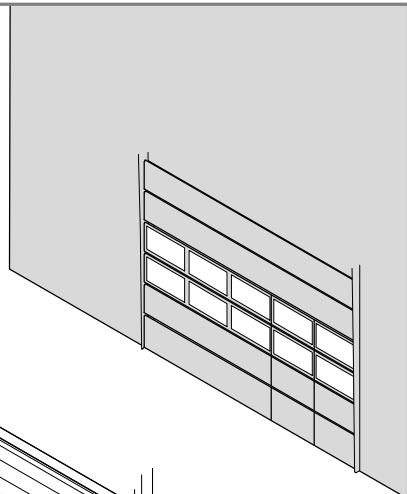




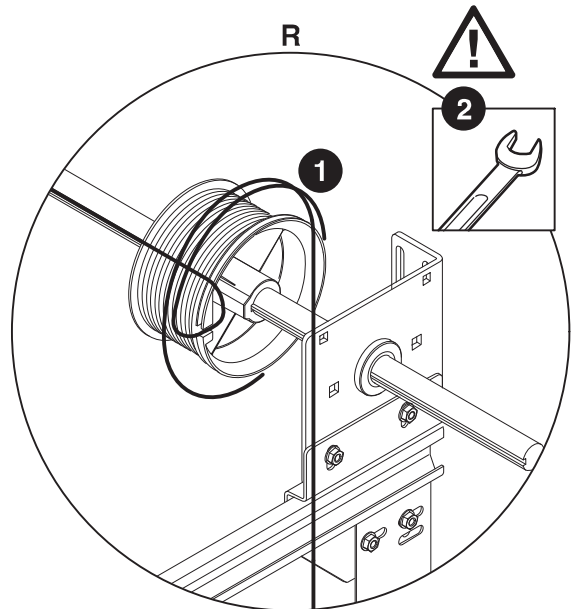
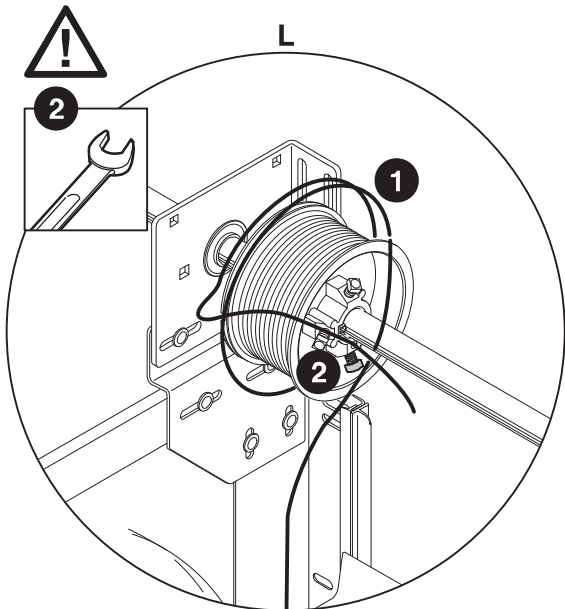
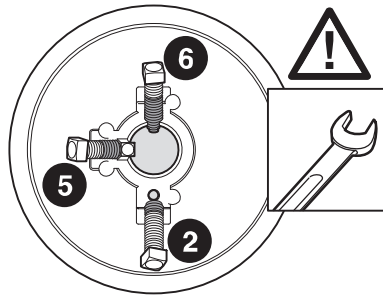
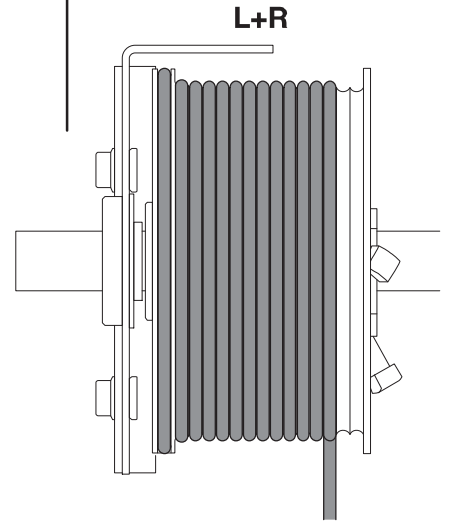
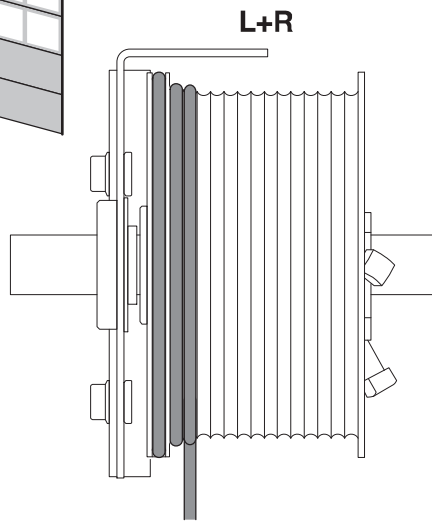
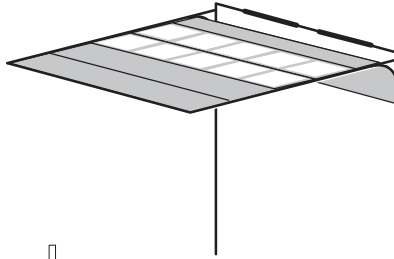
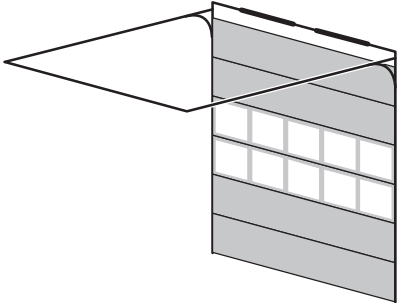
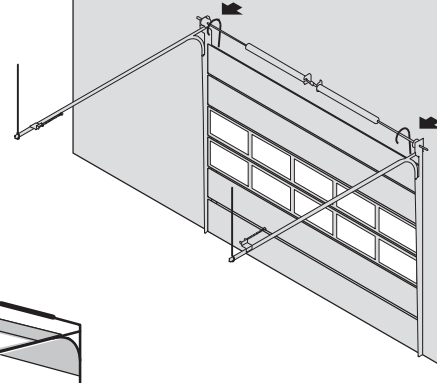
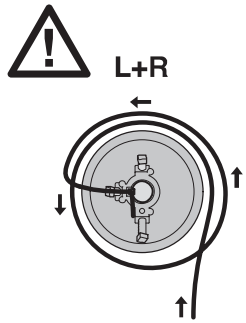


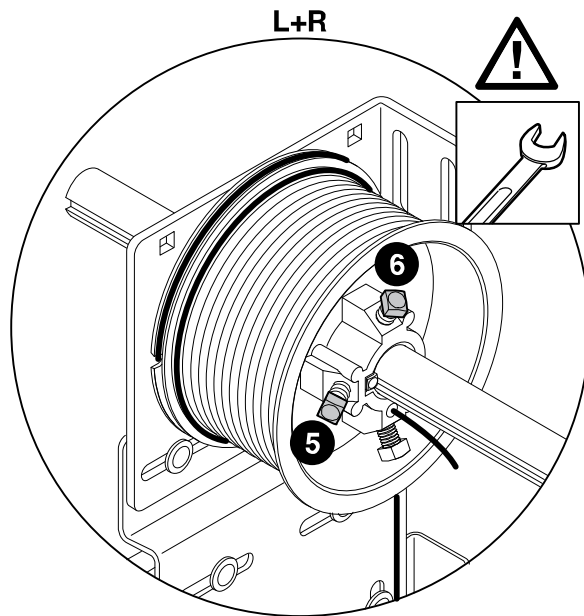
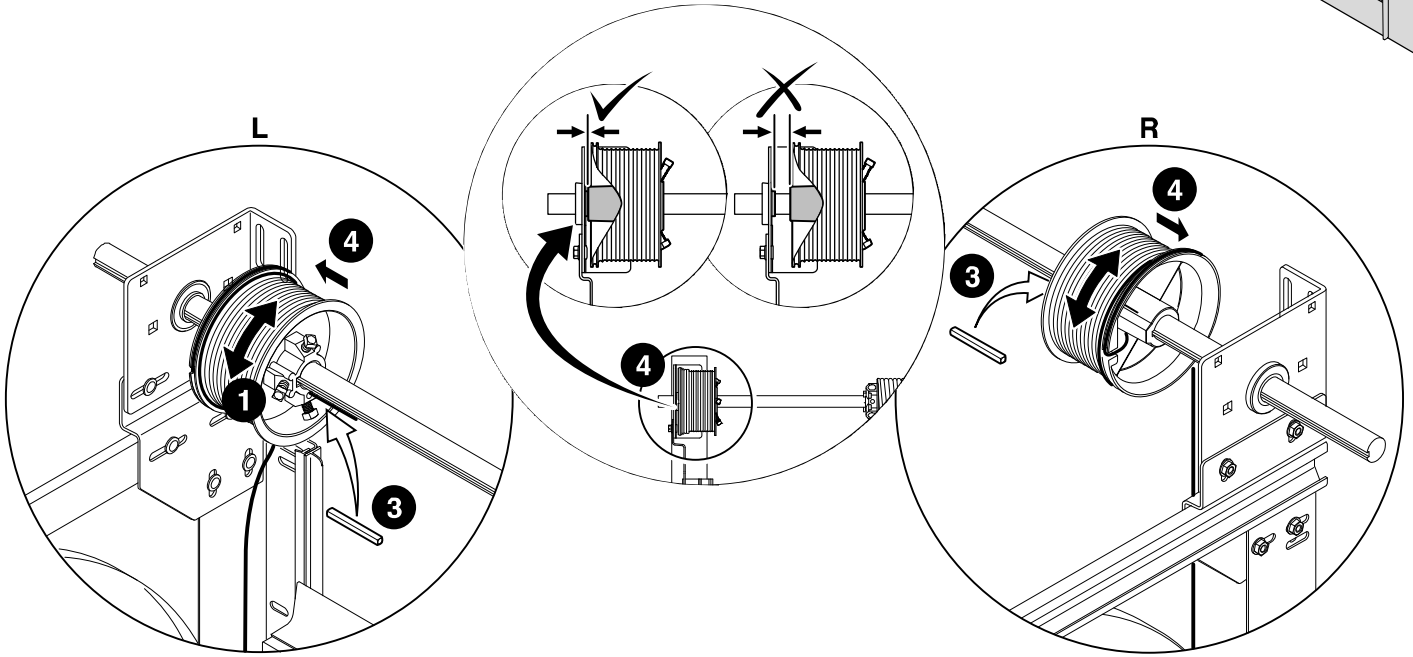
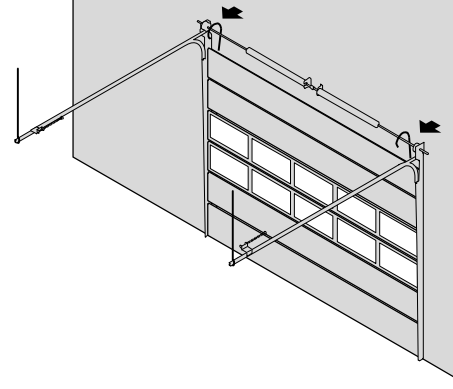


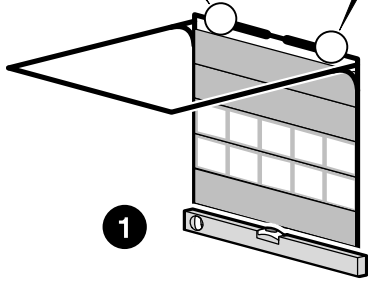
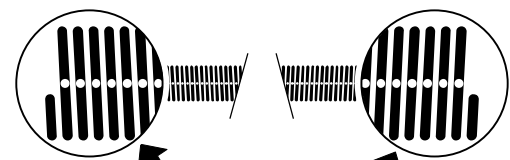




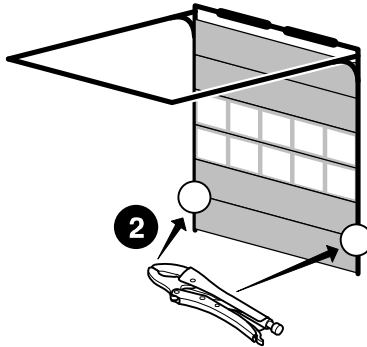






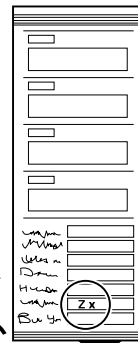


1

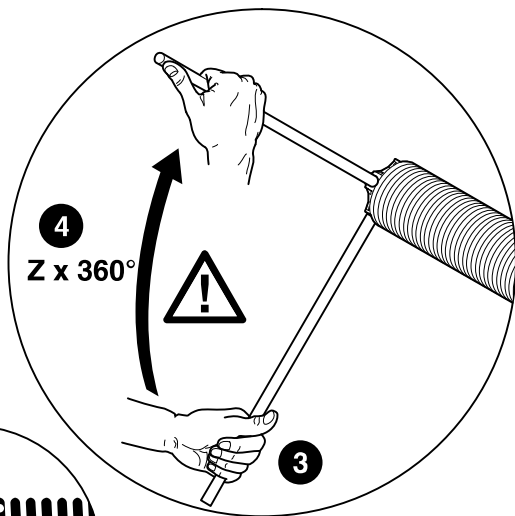
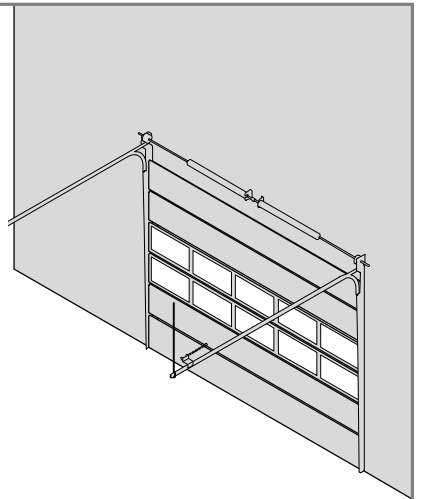


2

3



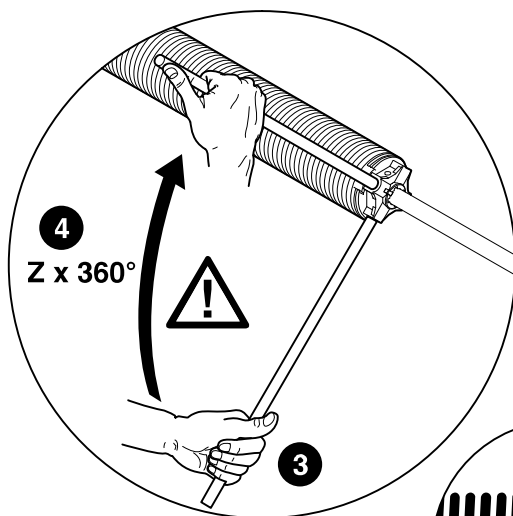
Z x 360°



4

Z x 360°

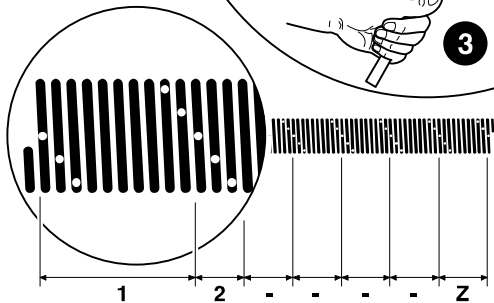
3



4

Z x 360°

3

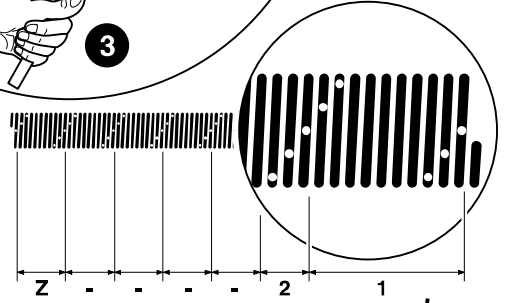


1

2

Z

5



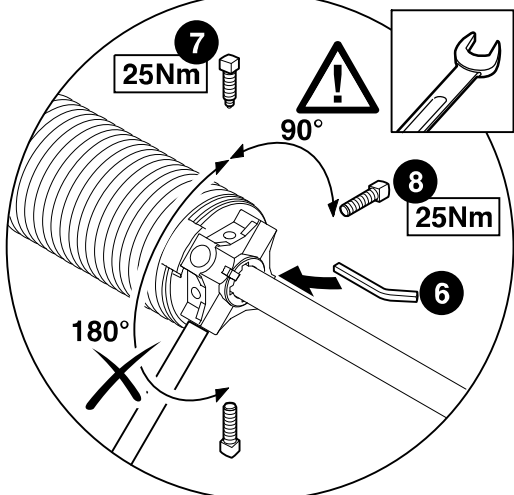
Z

2

1

5

L+R



7

25Nm

90°

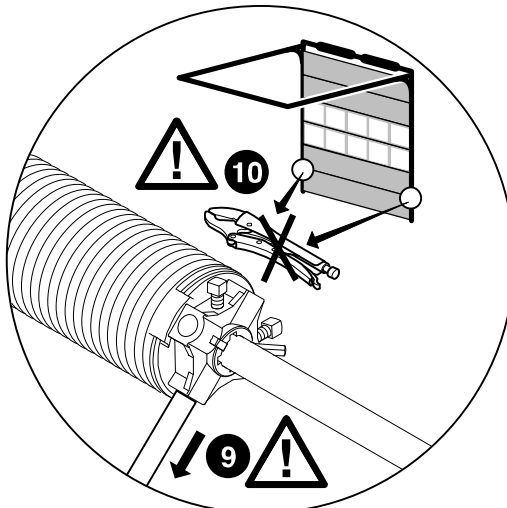


8

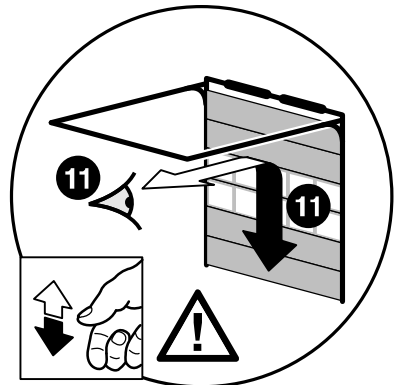
25Nm

6

180°

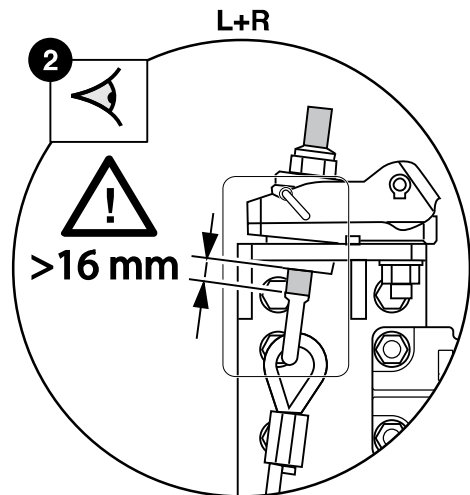
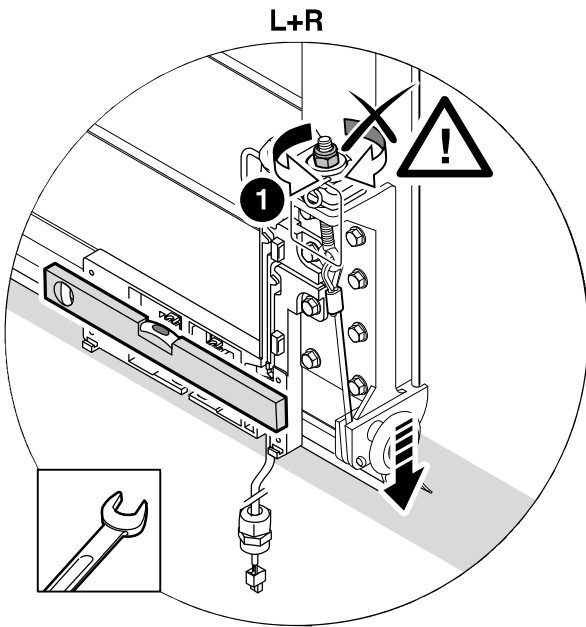
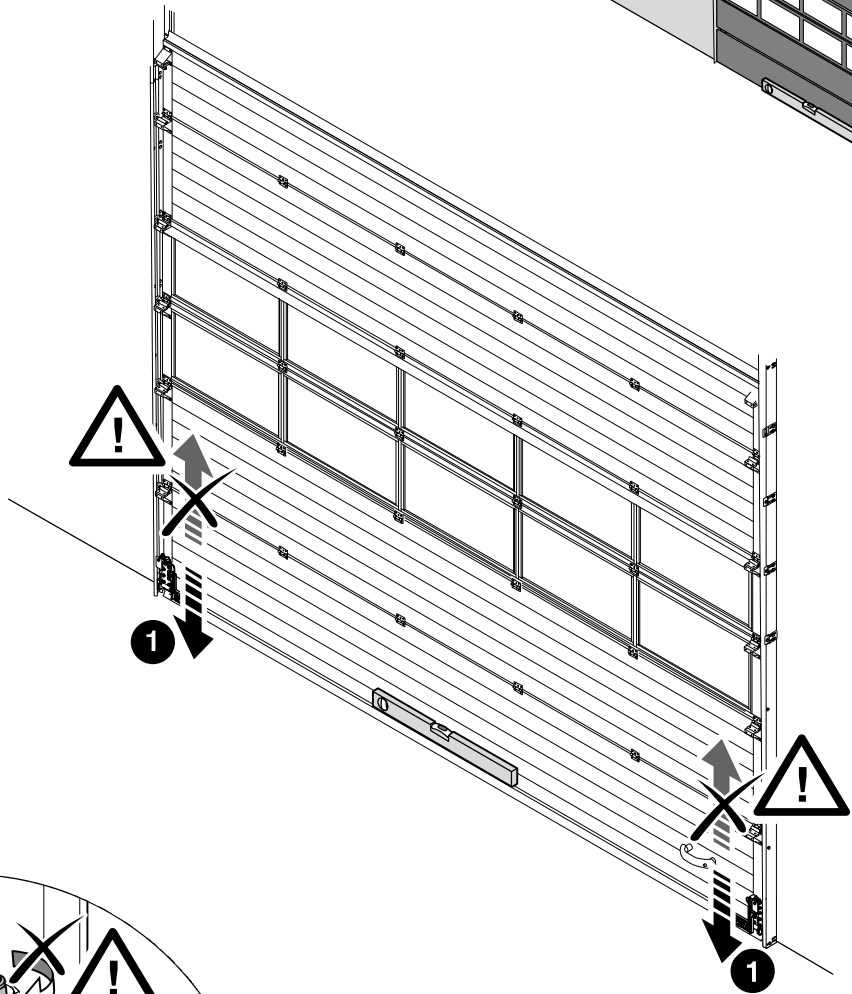
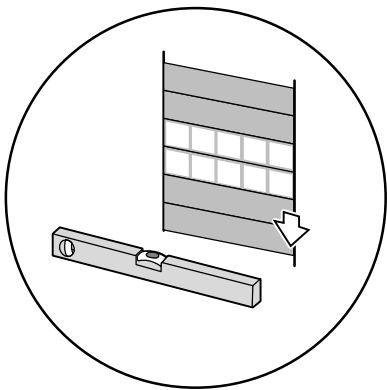
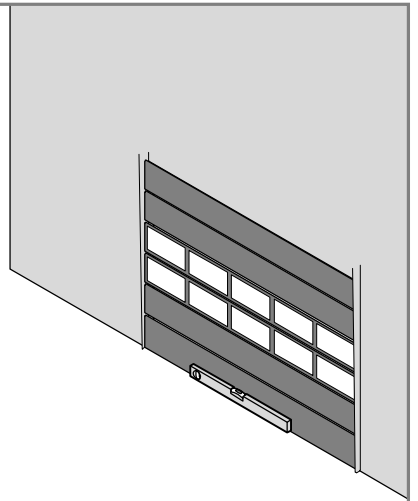
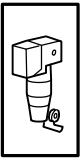


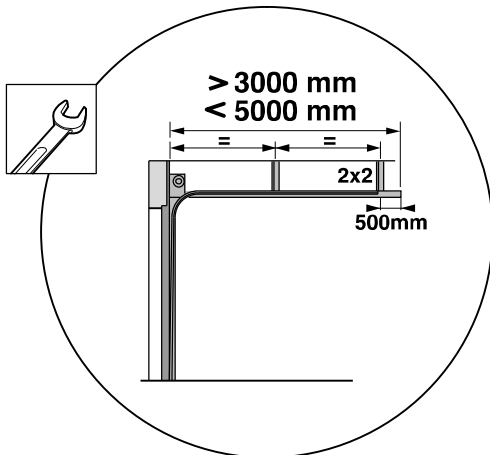
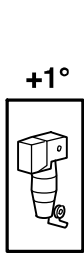
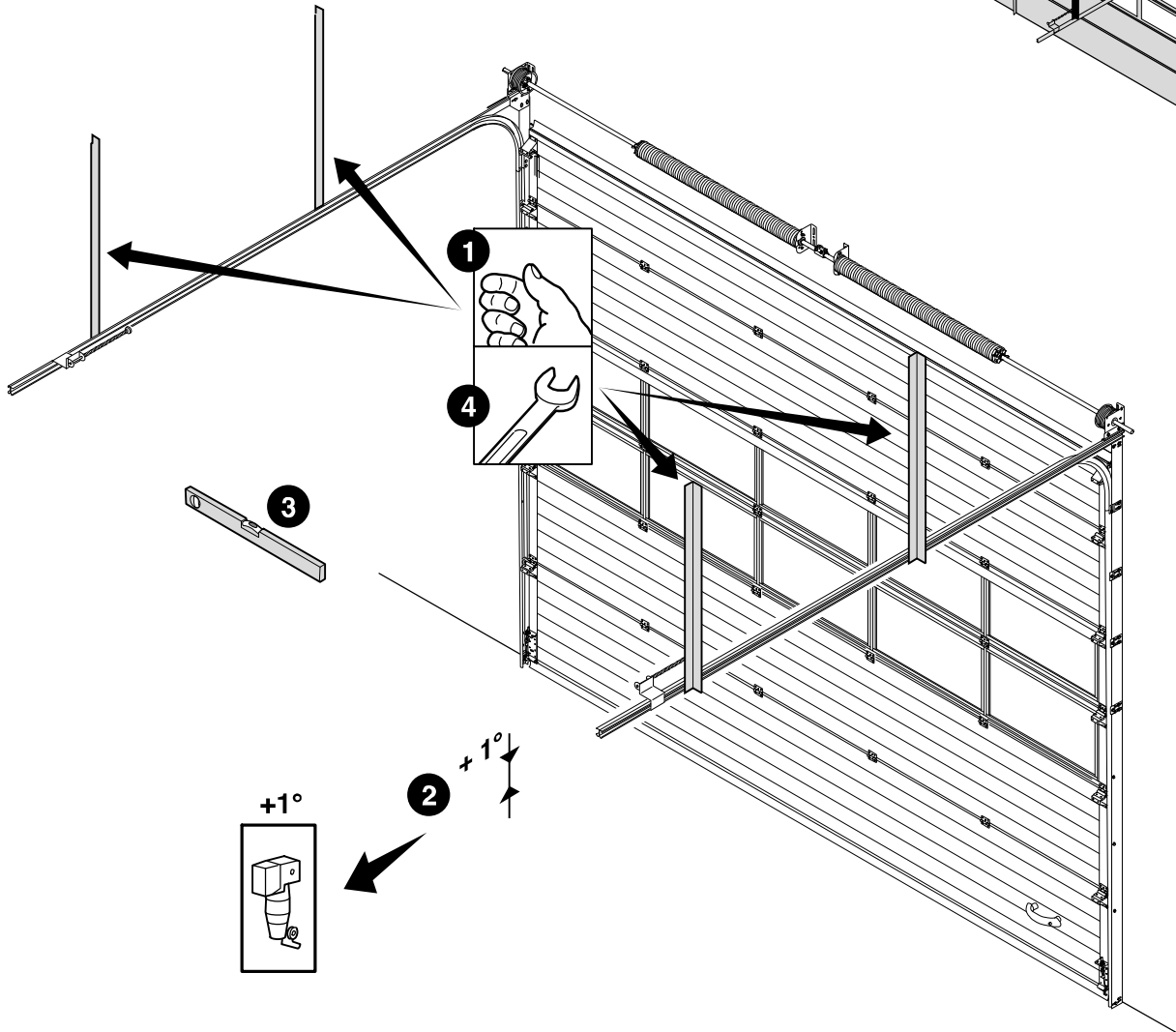
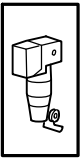
9



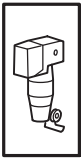
11



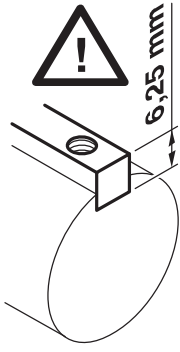




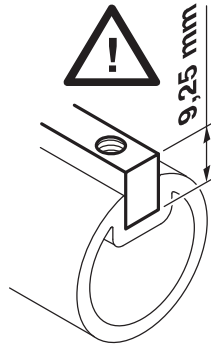
> 3000 mm und < 5000 mm



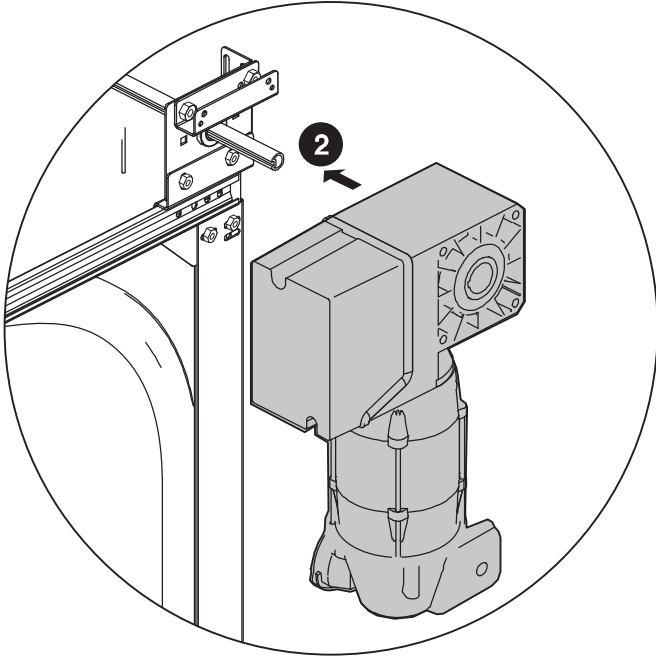
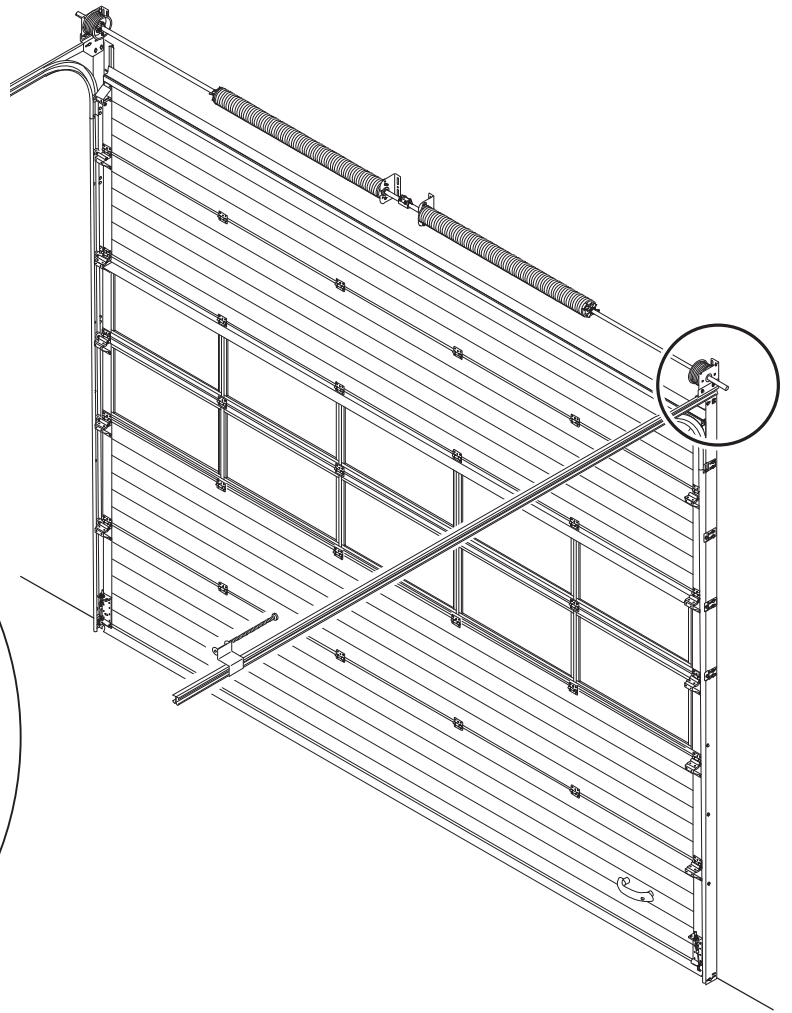
1



6,25 mm

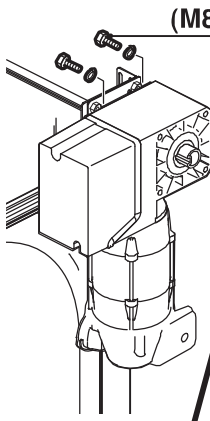


9,25 mm

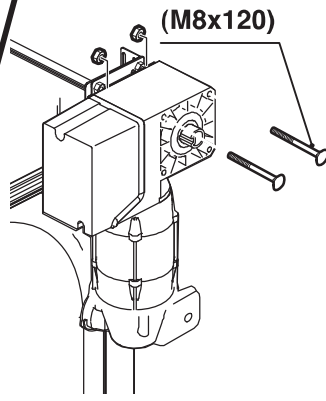


2

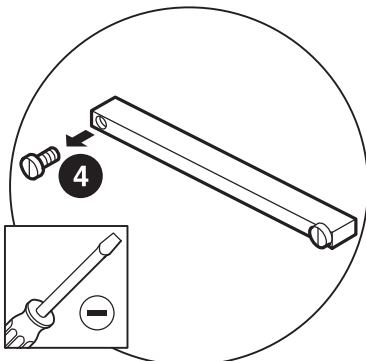
3



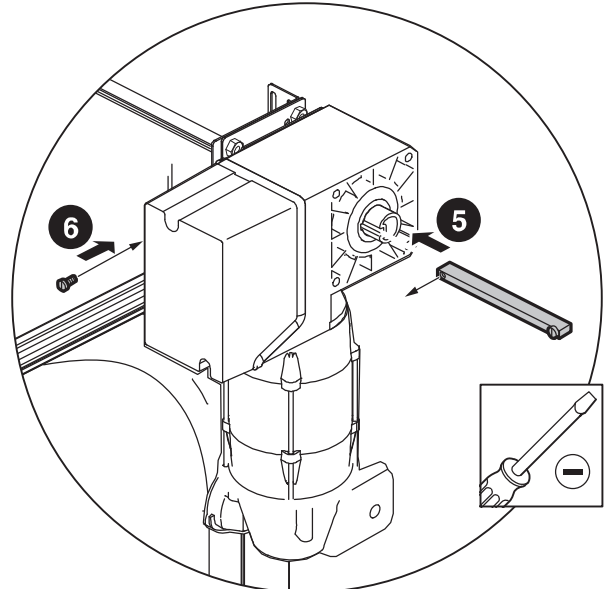
(M8x25)



(M8x120)

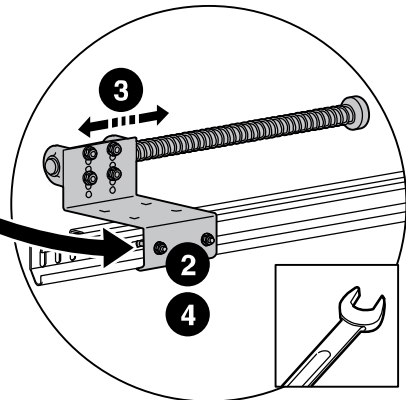
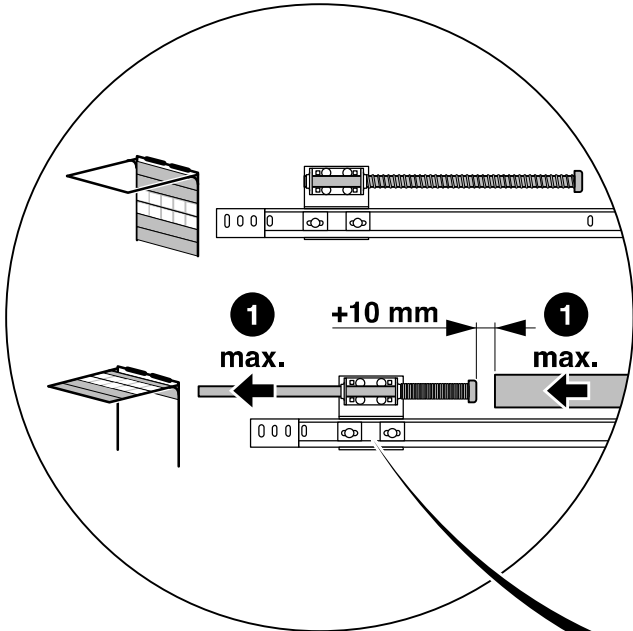
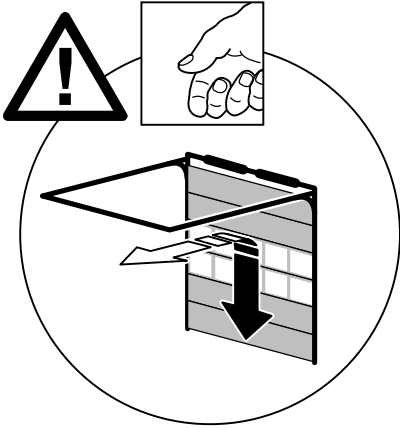
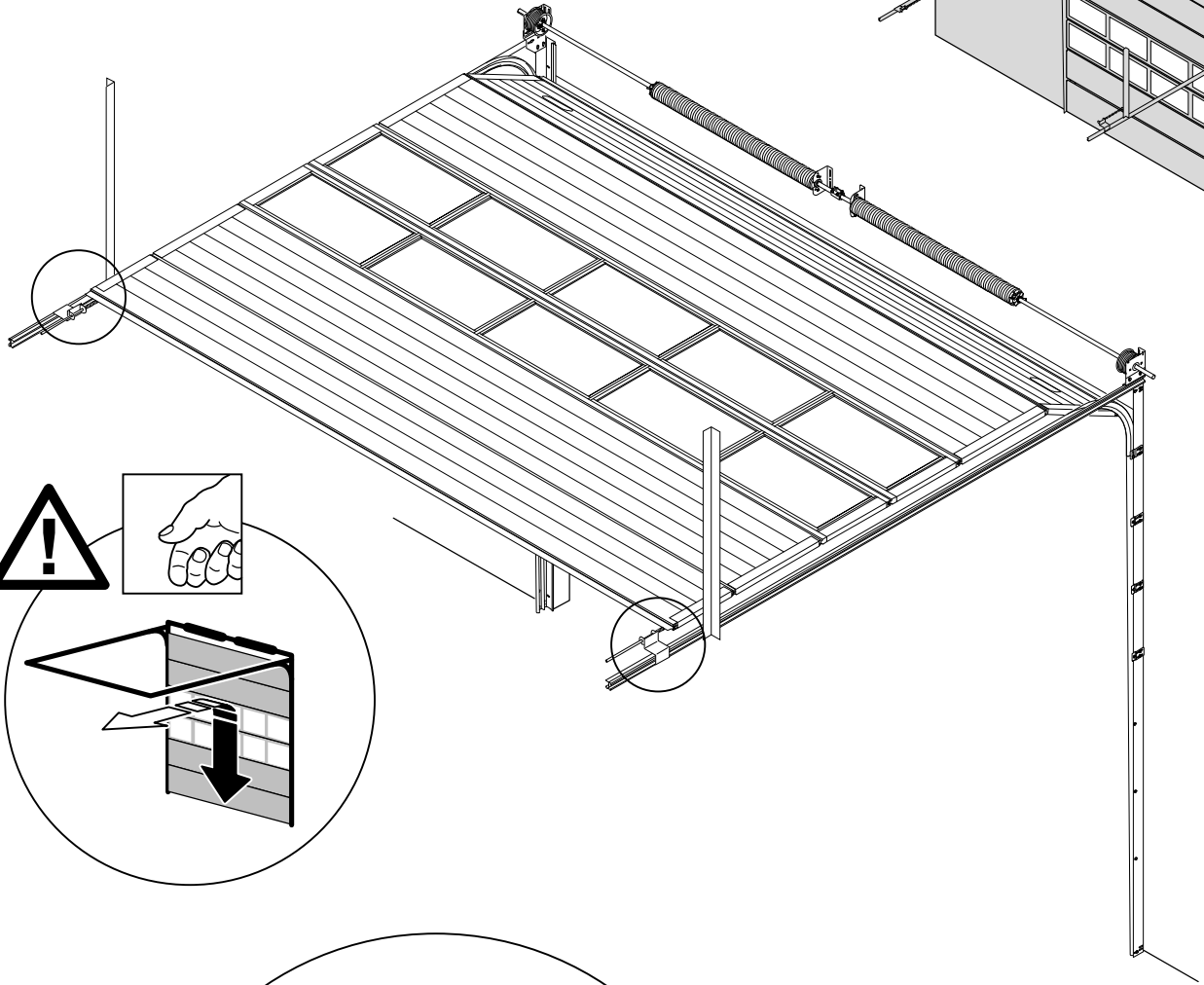
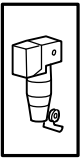


4

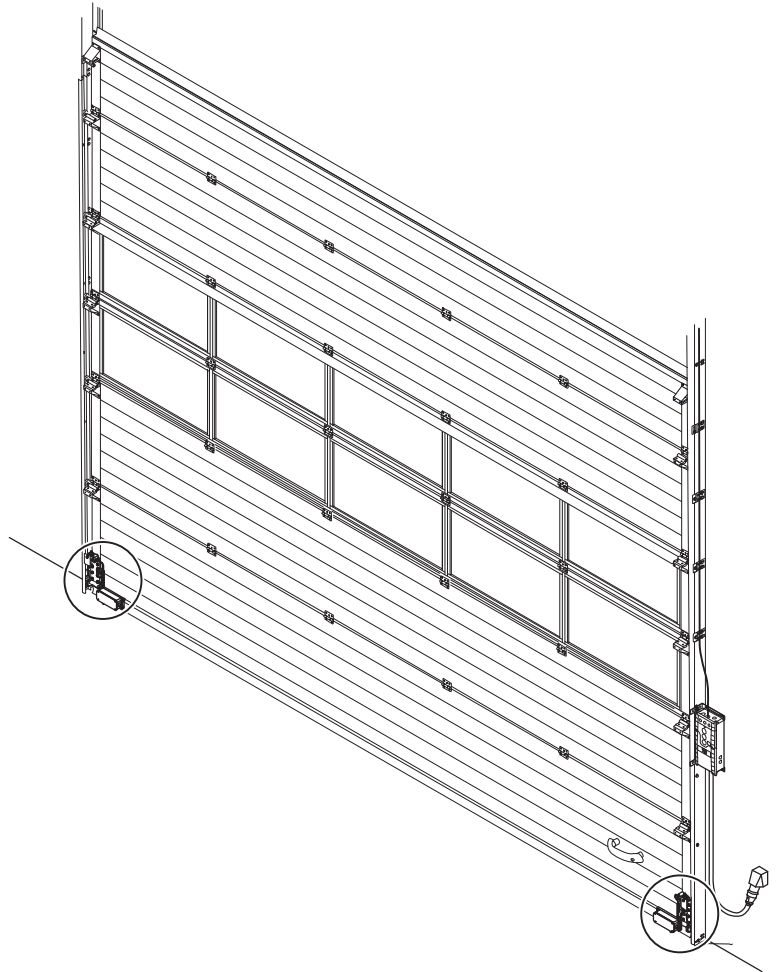
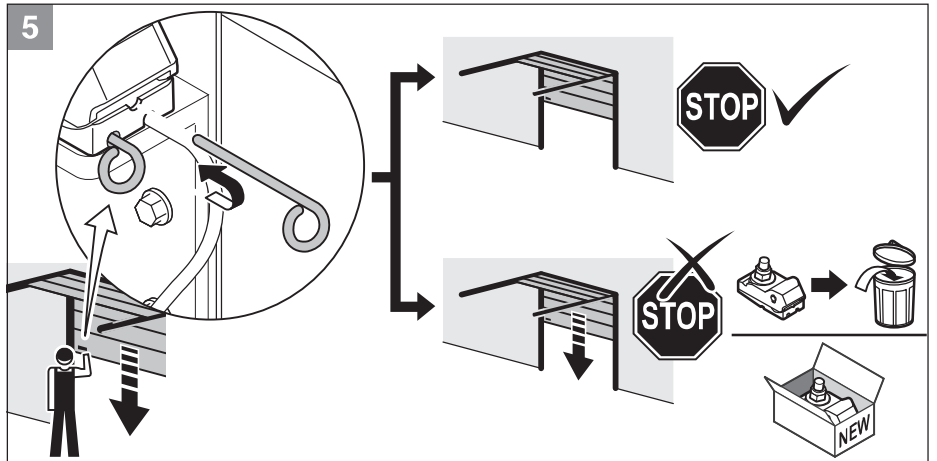
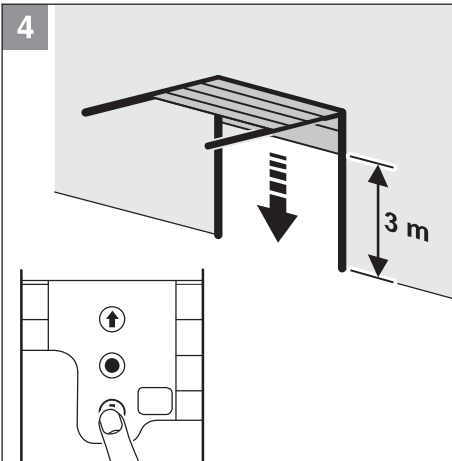
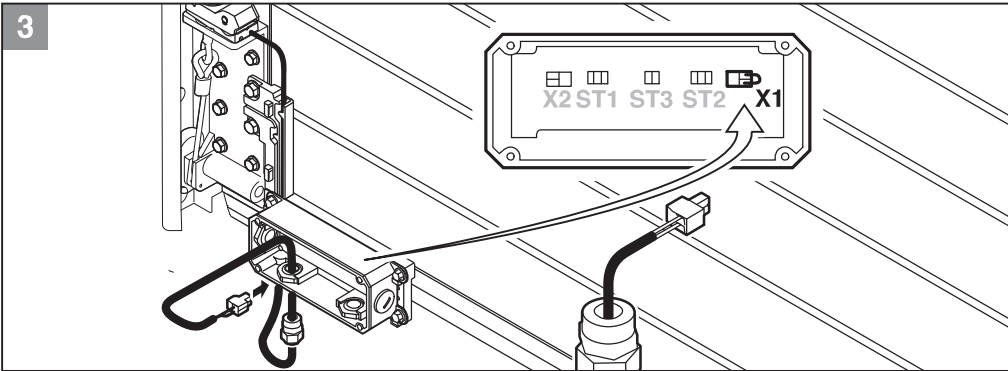
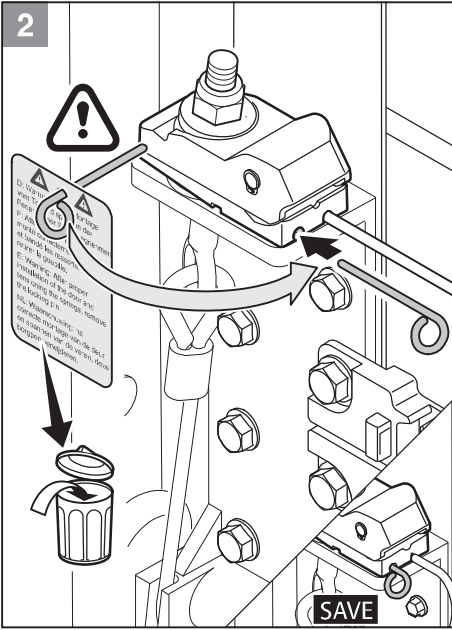
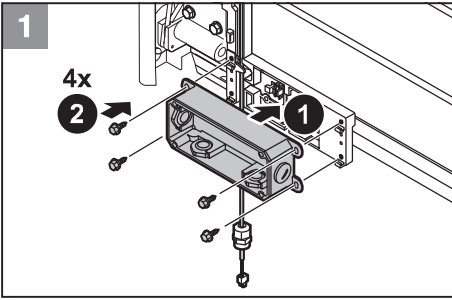


6

5













© Copyright Novoferm Nederland B.V.

This manual was prepared and issued by Novoferm Nederland B.V. the Netherlands. It is supplied to approved agents of Novoferm Nederland B.V. All rights are reserved. The information in this document is the property of Novoferm Nederland B.V., the Netherlands. Disclosure of this information or any part of it to third parties is prohibited, except with prior and express written permission of Novoferm Nederland B.V., the Netherlands.